



REKLUSE MOTOR SPORTS

The Rekluse Core Manual Clutch

INSTALLATION GUIDE

Doc ID: 191-7000B
Revision: 040919

OVERVIEW

To complete the installation, you will be performing the following steps:

- Removal of your stock pressure plate, clutch pack and center clutch.
- Installation of the Rekluse Core center clutch.
- Installation of Rekluse drive plates with **8** friction plates from the stock clutch pack (exception: KTM 125/144/150/200 & Kawasaki KX85/100).
- Installation of the Rekluse Manual pressure plate, springs, and bolts.

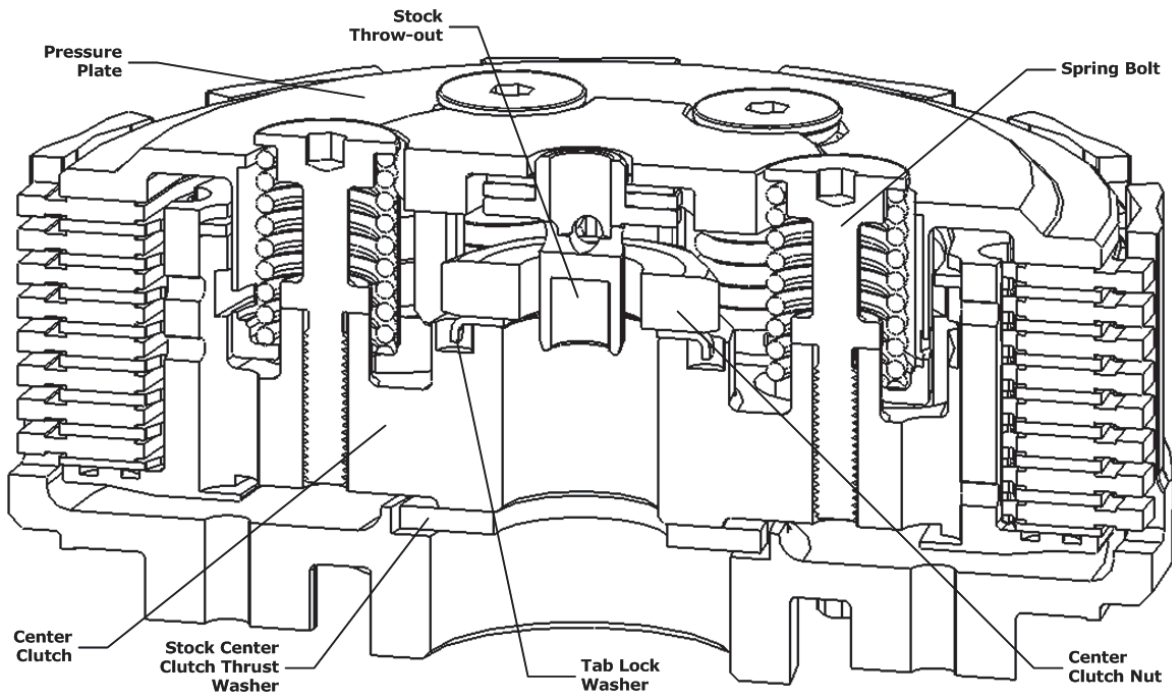
INSTALLATION TIPS

- Be sure to use proper eye protection.
- Laying the bike on its side makes it easier to work on the clutch and eliminates the need to drain the oil.
- Be sure to turn off the gas, work in a ventilated area, and be prepared to catch any gas that may drain.
- Air or electric impact wrenches easily remove the center clutch nut, or you can place the bike in top gear and hold the rear brake while loosening the center clutch nut.
- For optimal clutch performance Rekluse recommends using fresh, clean oil that **meets JASO-MA** oil rating requirements. Rekluse offers Factory Formulated Oil™ developed specifically for Rekluse products. Rekluse Factory Formulated Oil is a perfect complement to any OEM or aftermarket wet clutch. Visit www.rekluse.com to learn more.

TOOLS NEEDED

- 19 mm, 27 mm, 29 mm or 30 mm socket (for stock center clutch nut)
- 5 mm hex key (for Rekluse bolts)
- 8 mm, 10 mm socket (for removing clutch cover and stock springs)

INSTALL CLUTCH



1. Turn the fuel to off and place the bike in 4th or 5th gear.
2. Lay the motorcycle on its left side and remove the clutch cover.
3. If you already have a Rekluse Core Clutch with EXP installed, remove the EXP Pressure Plate and EXP Friction Disk and skip to step 8.
4. Remove OEM Pressure Plate, springs, center clutch, throw-out, and clutch pack.

NOTE: OEM throw-out with needle bearing, flat washer, and the friction plates will be re-installed. OEM thrust washer behind OEM center clutch will be re-installed.

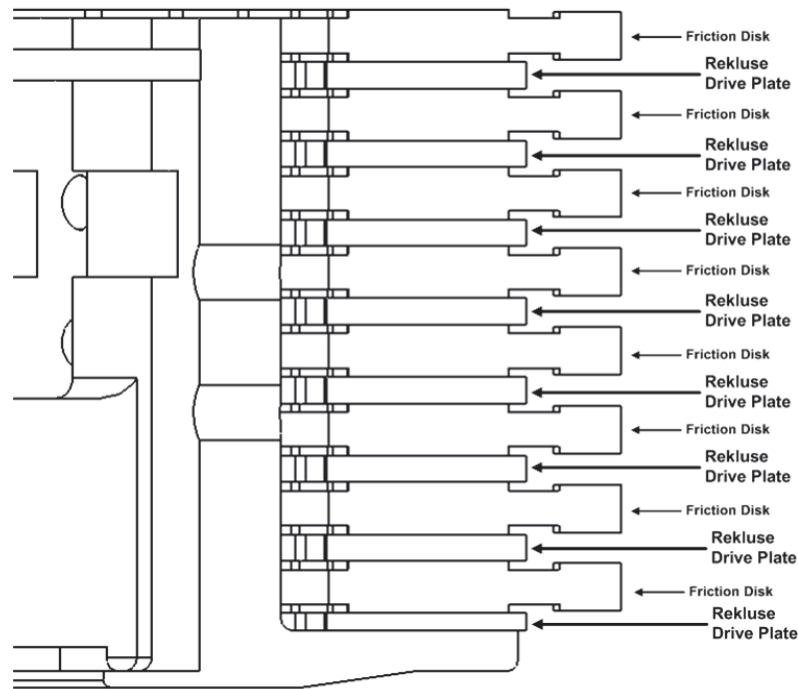
5. Install the Rekluse center clutch, with OEM thrust washer behind it, onto the main shaft.

NOTE: You must re-use the OEM Thrust Washer that goes between the outer basket and Center Clutch Hub.

6. Reinstall the OE lock washer and the center clutch nut.
7. Torque to the recommended value specified on your motorcycle owner's manual.
8. Configure clutch pack as shown below and install onto Rekluse center clutch. You will install **8 OEM frictions** and 8 Rekluse steel drive plates, starting with a steel plate. See the following exceptions:

Notes and Exceptions:

- **KTM 125/144/150/200 & Kawasaki KX85/100 Owners**
Only: Your clutch will use only 7 friction disks and 7 total steel plates.
- **450 class bikes and 250+ 2-strokes:** *The first plate installed is the 0.040" Rekluse Steel Plate.*
- *If you are converting from EXP to Manual Mode, remove the EXP plate and replace with 1 OEM friction disk.*
- Some models use 9 friction disks stock – with the Rekluse Core you only use 8
- **Beta Owners only:** If you are converting from EXP to Manual Mode, remove the EXP plate and replace with 2 OEM friction disks and 2 Rekluse Steel plates. With the Core Manual clutch, the clutch pack is configured as per Step 8 and the picture below.
- **Husqvarna 250F/310F Owners Only:** The stock configuration has 7 friction disks – with Core Manual use the extra friction disk that is included to make 8 total frictions.

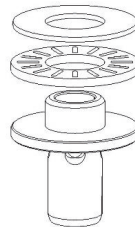


9. Install the OEM throw-out, with needle bearing and flat washer on top of it, onto the throw-out rod.

- **Yamaha YZ65 & YZ85 Owners Only:**

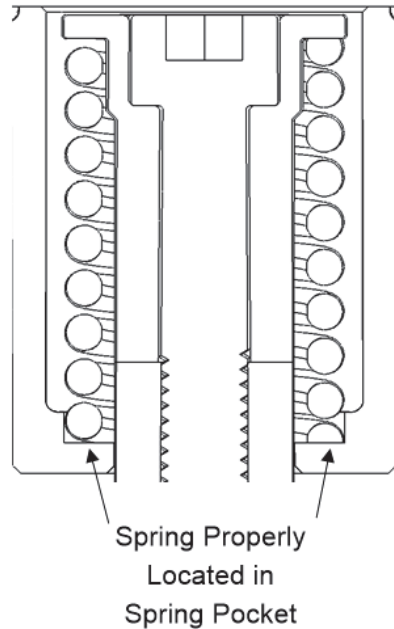
Your needle bearing and washers come pre-installed into the pressure plate assembly. You must install only the OEM throw-out onto the mainshaft.

NOTE: If you are missing the flat washer, it is probably stuck to the backside of your OEM pressure plate.



10. Install the Pressure Plate so the holes in the bottom of the spring cups slide over the center clutch standoffs.

11. Install the included Rekluse springs into the pockets of the pressure plate.
12. Place the spacers and bolts into the springs and thread each bolt in a couple of turns. **Rotate each spring one turn counter-clockwise to ensure the spring is properly located in its spring pocket** (See picture).



13. Torque each bolt to **9 ft-lbs (12 N-m)**.
14. Re-install the clutch cover with the OEM gasket.
15. Adjust lever free play as per your owner's manual.

NEED ADDITIONAL HELP?

Website

www.rekluse.com/support

Frequently Asked Questions

www.rekluse.com/faq

Support Videos

www.rekluse.com/support/videos

Phone

(208) 426-0659

Technical Support

Contact Technical Support for questions related to product installation, tuning, and performance.

Hours:

Monday thru Friday: 8:00 a.m. - 5:00 p.m.

Mountain Time zone

Email: tech@rekluse.com

Customer Service

Contact Customer Service for additional product information, orders, and returns.

Hours:

Monday thru Friday: 8:00 a.m. - 5:00 p.m.

Mountain Time zone

Email: customerservice@rekluse.com

