

REKLUSE MOTOR SPORTS

The Left-Hand Rear Brake Kit

LEVER INSTALLATION GUIDE

Doc ID: 191-5306A
Doc Rev: 032520

INSTALLATION TIPS

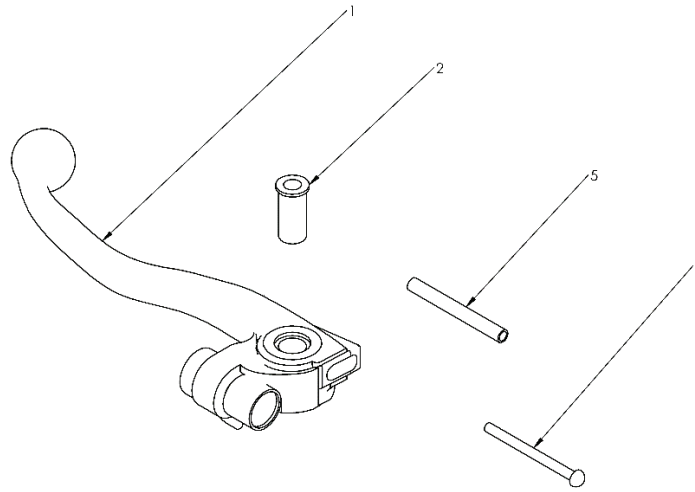
- Carefully read and be sure to understand the Safety Information document that accompanies this product before proceeding.
- Before beginning the installation, Rekluse recommends reading this entire document and watching the **Brake Kit Installation Video** on our website under the “**Videos**” section of the “**Support**” page: <http://www.rekluse.com/videos.shtml>

TOOLS NEEDED

- 3 mm Allen Wrench
- 8mm & 17mm End Wrenches
- 21mm End Wrench for Brembo brake systems
-or- 7mm End Wrench for Nissin brake systems
- Torque Wrench (in-lb or N-m)



INCLUDED PARTS



Item	Item Type	Qty
1	Lever Blade	1
2	Pivot Bushing	1
5	Lever Preload spring	1
6	Preload Spring Plastic Guide	1

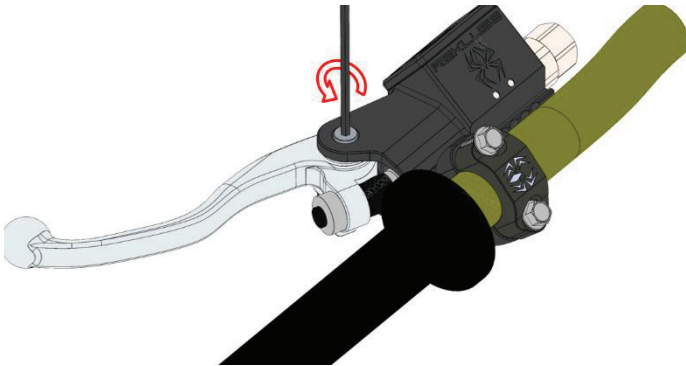
Visit Rekluse.com/support for a full parts fiche illustration and part numbers.

DOCUMENT OVERVIEW

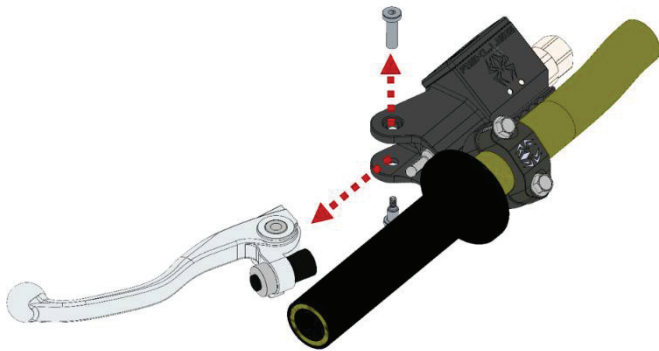
Lever replacement	3
LEVER REACH ADJUSTMENT	4

LEVER REPLACEMENT

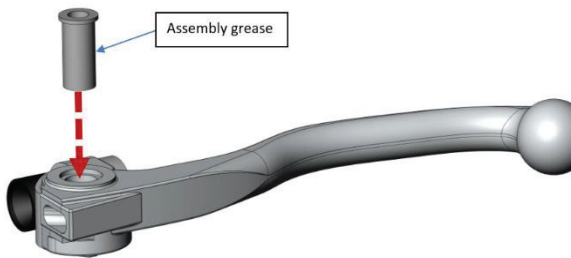
1. Using two 3mm Allen wrenches, loosen lever pivot bolt using the 2nd wrench on the opposite side.



2. Remove lever pivot bolt, followed by the lever assembly



3. Apply a small amount of waterproof grease to the pivot bushing of the new lever



4. Make sure plastic insert is inside lever preload spring.



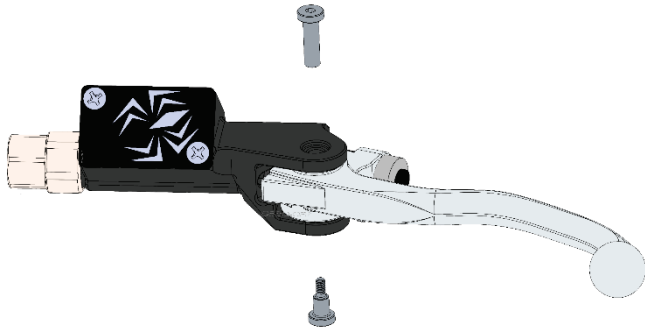
5. Insert lever preload spring into the designated pocket in the master cylinder housing, plastic insert end first



6. Place lever assembly into the master cylinder housing, guiding the lever return spring into the spring cutout in the lever and the piston rod into the adjuster cup of the lever.



7. Insert pivot bolt assembly into the master cylinder and lever, torquing to 10 in-lbs.



LEVER REACH ADJUSTMENT

To adjust the brake lever toward or away from the handlebar, turn the adjuster wheel located at the push rod cup to obtain desired ergonomic Replacement Bleed Screw

