



**REKLUSE**  
clutchcover

**REKLUSE MOTOR SPORTS**

The Rekluse Clutch Cover Kit

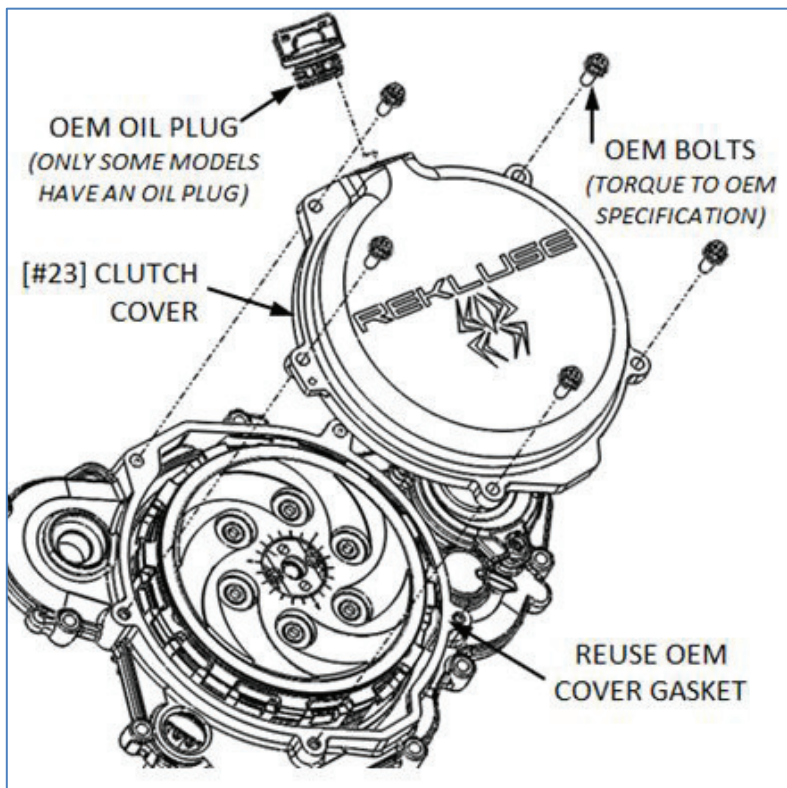
## CLUTCH COVER INSTALLATION GUIDE

### INSTALLATION TIPS

- The Rekluse clutch cover provides clearance for all Rekluse clutch systems using either the OE gasket or O-ring. If the OE O-ring or gasket is damaged it should be replaced to guarantee proper sealing.
- Make note of each OE clutch cover bolts specific location as length can vary between them. For some models, your Rekluse clutch cover kit comes with 1 longer bolt to replace a shorter OE bolt. See the reverse of this page for specific model notes.

### CAUTION

*Failure to install the OE clutch cover bolts back in there proper locations can result in damage to your motorcycle.*



Install the Rekluse clutch cover by lightly tightening the cover bolts in a star pattern. Tighten bolts in small increments before torqueing the cover bolts to OE specifications. If your bike has an oil plug, transfer the OE oil plug to the new Rekluse clutch cover.

*See the reverse of this page for specific model notes.*

# MODEL NOTES:

## 2017 & 2018 250/300 2-Stroke Models:

For the 2017 model-year (and some of the early-produced 2018 models), your bike has **3** different lengths of clutch cover bolts supplied from the manufacturer:

- 4x 20mm long,
- 2x 60mm long, &
- 1x 55mm long

**If your bike has a 55mm OE bolt, DO NOT REUSE it with the Rekluse clutch cover.**

Instead, use the Rekluse-supplied 60mm bolt in this location (circled) with the Rekluse cover.



***Failure to use the supplied longer (60mm) bolt in this location with the Rekluse clutch cover may cause damage to the engine case.***

Your Rekluse clutch cover kit comes with 1 longer bolt to replace a shorter OE bolt.

Install 6 of the OE bolts in their original locations, and install the longer Rekluse-supplied bolt in the lower right corner. See the following pictures for reference.

STOCK 2017

