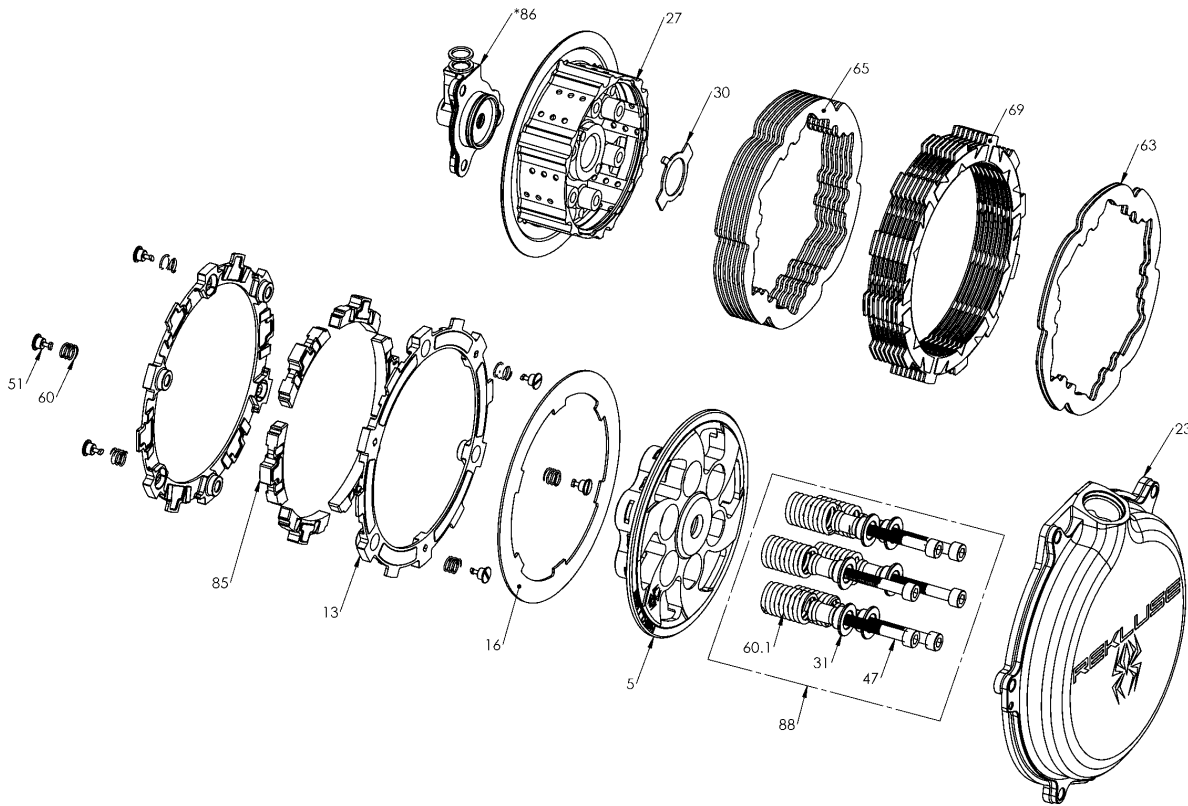


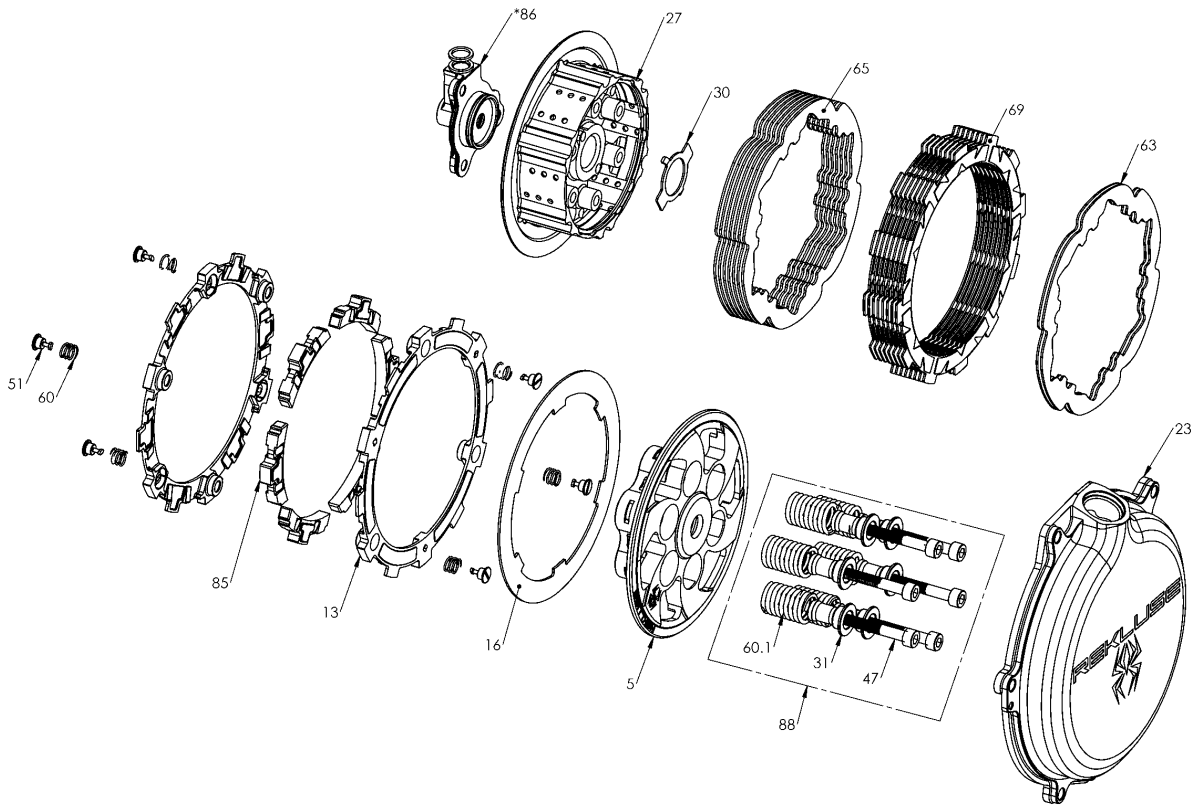
RMS-7913088C - RADIUSCX CLUTCH (CSS)



**SLAVE CYLINDER ASSEMBLY FICHE CAN BE VIEWED SEPARATELY.
REBUILD KIT ALSO AVAILABLE SEPERATELY FROM REKLUSE.*

Item	Part Number	Item Description	Qty
5	113-016A	PRESSURE PLATE - Core EXP 3.0 - KT350	1
13	140-215D	EXP 3.0 BASE - KT350	2
16	143-010	EXP LINING PLATE - KTM	1
23	169-935C	CLUTCH COVER - KT350	1
27	178-038D	CENTER CLUTCH - CORE EXP/CORE MANUAL - KTM 250F,35	1
30	183-002	HARDWARE - Core Center Clutch Tab Lock Washer 27mm	1
Not Shown	415-000	FASTENER - Quarter Turn Pin	6
Not Shown	415-000	FASTENER - Quarter Turn Pin	2
Not Shown	419-120	HARDWARE - 1 Orange Free Play Gain Rubber Band	1
Not Shown	442-001	EXP ADJUSTMENT SPRING EXP - Silver	3
60	442-002	EXP ADJUSTMENT SPRING EXP - Red	6
Not Shown	442-003	EXP ADJUSTMENT SPRING EXP - Blue	3
63	460-710A	DRIVE PLATE - 0.040 TEC 2 - KT 6-pin	2
65	462-710A	DRIVE PLATE - 0.048 TEC 2 - KT 6-pin	7
69	469-536A	FRICTION DISK - KT350 TORQ-DRIVE - 2-Segment Pads	8

RMS-7913088C - RADIUSCX CLUTCH (CSS)



**SLAVE CYLINDER ASSEMBLY FICHE CAN BE VIEWED SEPARATELY.
REBUILD KIT ALSO AVAILABLE SEPERATELY FROM REKLUSE.*

Item	Part Number	Item Description	Qty
85	741-016B	EXP 3.0 WEDGE ASSEMBLY - KT350 - Medium	6
86	742-003E	ADJUSTABLE SLAVE CYLINDER ASSEMBLY - Housing-101, Pist	1
88	744-010	CORE CLUTCH SPRING KIT - 450 - Medium (Red)	1
31	184-101B	HARDWARE - EXP Screw Sleeve	6
47	411-135	FASTENER - M6 x 40mm Socket Head Cap Screw	6
60.1	442-101	PRESSURE PLATE SPRING - 450 Class Bikes Medium Red (incl	6
Not Shown	821-013A	Prop. 65 Warning Label	1