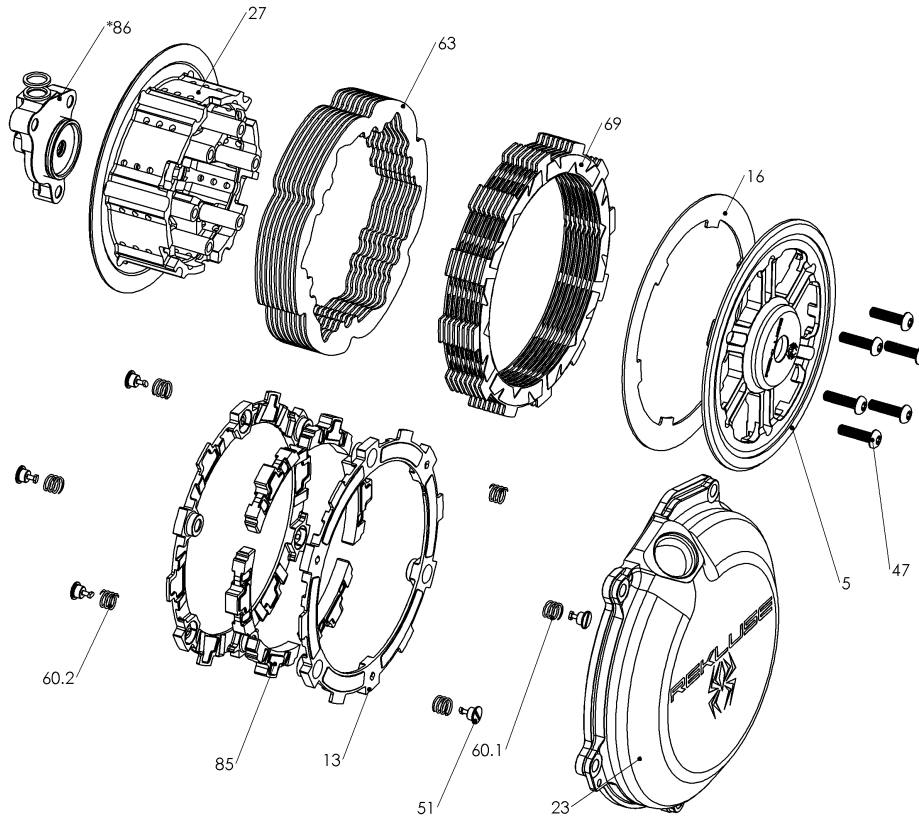


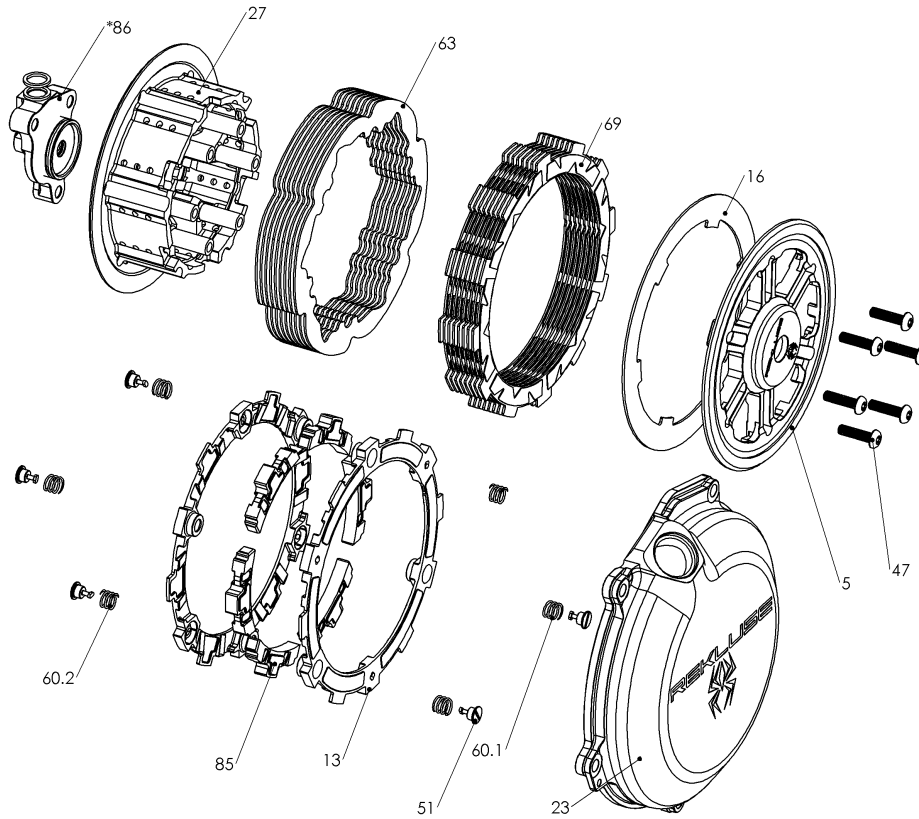
## RMS-7913080D - RADIUSCX CLUTCH (DDS)



*\*SLAVE CYLINDER ASSEMBLY FICHE CAN BE VIEWED SEPARATELY.  
REBUILD KIT ALSO AVAILABLE SEPERATELY FROM REKLUSE.*

Item	Part Number	Item Description	Qty
5	113-020B	PRESSURE PLATE - Core EXP - KTM 450 16+	1
13	140-215D	EXP 3.0 BASE - KT350	2
16	143-010	EXP LINING PLATE - KTM	1
23	169-980B	CLUTCH COVER - KTM 450/500 16+	1
27	178-034D	CENTER CLUTCH - CORE EXP/CORE MANUAL - KTM 350/450	1
Not Shown	183-008A	HARDWARE - DDS Lock Tab Washer	1
47	411-154A	FASTENER - M5 x 20 Button-Head T-25 Torx Screw 10.9	6
Not Shown	411-906	HARDWARE - T-25 Torx Bit	1
51	415-000	FASTENER - Quarter Turn Pin	6
Not Shown	415-000	FASTENER - Quarter Turn Pin	2
Not Shown	419-120	HARDWARE - 1 Orange Free Play Gain Rubber Band	1
60.1	442-003	EXP ADJUSTMENT SPRING EXP - Blue	3
Not Shown	442-003	EXP ADJUSTMENT SPRING EXP - Blue	3
Not Shown	442-004	EXP ADJUSTMENT SPRING EXP - Gold	3
60.2	442-004	EXP ADJUSTMENT SPRING EXP - Gold	3

## RMS-7913080D - RADIUSCX CLUTCH (DDS)



*\*SLAVE CYLINDER ASSEMBLY FICHE CAN BE VIEWED SEPARATELY.  
REBUILD KIT ALSO AVAILABLE SEPERATELY FROM REKLUSE.*

Item	Part Number	Item Description	Qty
63	460-710A	DRIVE PLATE - 0.040 TEC 2 - KT 6-pin	9
69	469-536A	FRICITION DISK - KT350 TORQ-DRIVE - 2-Segment Pads	8
85	741-016B	EXP 3.0 WEDGE ASSEMBLY - KT350 - Medium	6
86	742-029B	ADJUSTABLE SLAVE ASSEMBLY - Housing 180-120, Piston 18	1
Not Shown	821-013A	Prop. 65 Warning Label	1