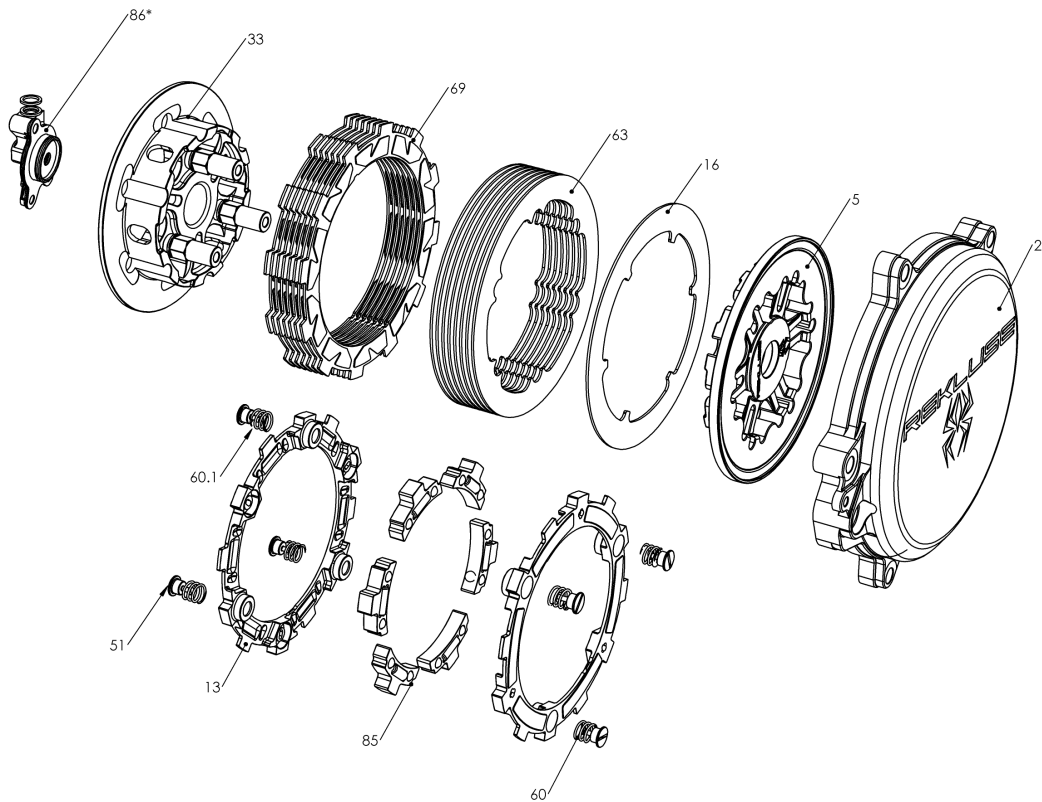


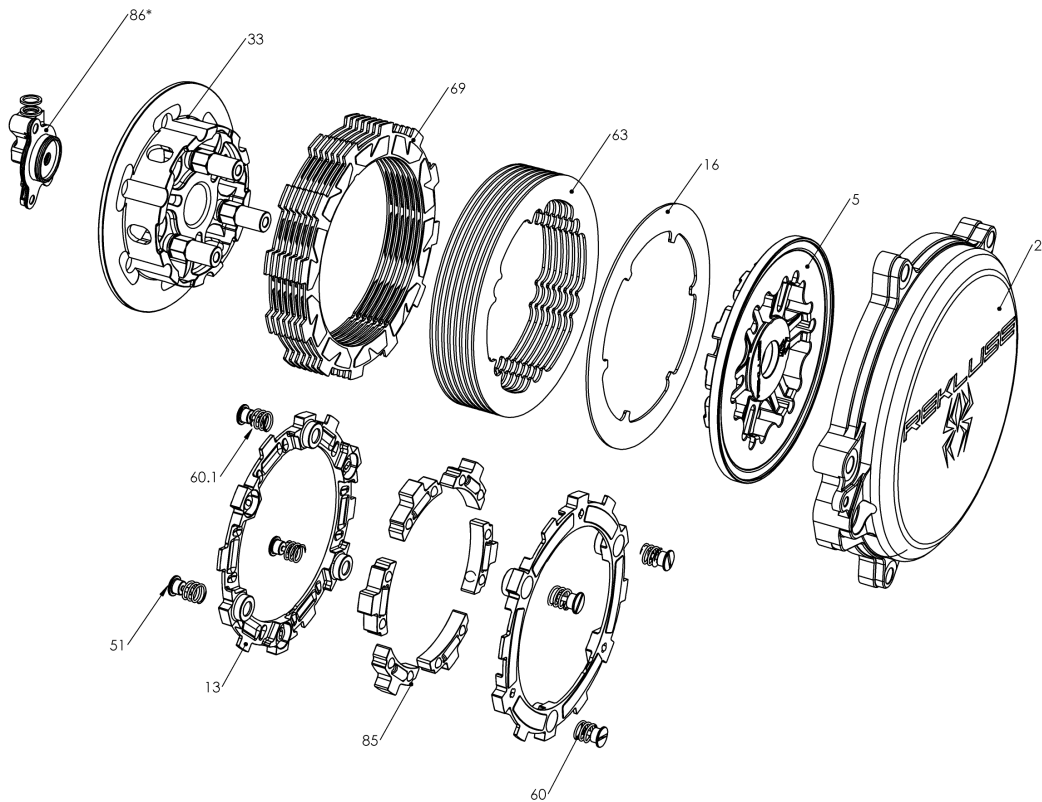
RMS-7913051A - RADIUSCX CLUTCH



**SLAVE CYLINDER ASSEMBLY FICHE CAN BE VIEWED SEPARATELY.
REBUILD KIT ALSO AVAILABLE SEPERATELY FROM REKLUSE.*

Item	Part Number	Item Description	Qty
5	113-151A	PRESSURE PLATE - RadiusCX -KTM 85 SX (18+), HQV TC 85 (1	1
13	140-226A	EXP RP BASE - KTM 85 SX (18+)	2
16	143-051A	LINING PLATE - KTM 85 SX (18+), HQV TC 85 (18+)	1
23	169-951A	CLUTCH COVER -KTM 85 SX (18+), HQV TC 85 (18+)	1
Not Shown	183-007A	HARDWARE - Core Center Clutch Tab Lock Washer 24mm S	1
51	415-000	FASTENER - Quarter Turn Pin	6
Not Shown	415-000	FASTENER - Quarter Turn Pin	2
Not Shown	419-120	HARDWARE - 1 Orange Free Play Gain Rubber Band	1
60	442-001	EXP ADJUSTMENT SPRING EXP - Silver	3
Not Shown	442-001	EXP ADJUSTMENT SPRING EXP - Silver	3
60.1	442-007A	EXP ADJUSTMENT SPRING EXP - 2LB (Steel)	3
Not Shown	442-007A	EXP ADJUSTMENT SPRING EXP - 2LB (Steel)	3
63	460-751A	DRIVE PLATE - 0.040 18+ KTM 85 6-pin Core	8
69	469-351A	FRICTION DISK - 18+ KTM 85 TORQ-DRIVE - 2-Segment Pads	7
33	713-151A	CENTER CLUTCH ASSEMBLY - RADIUS CX, KTM 85 SX (18+),	1

RMS-7913051A - RADIUSCX CLUTCH



**SLAVE CYLINDER ASSEMBLY FICHE CAN BE VIEWED SEPARATELY.
REBUILD KIT ALSO AVAILABLE SEPERATELY FROM REKLUSE.*

Item	Part Number	Item Description	Qty
85	741-060A	WEDGE ASSEMBLY - HEAVY 18+ KTM 85 Rolling Pin	6
86	742-028D	ADJUSTABLE SLAVE CYLINDER ASSEMBLY - Housing-122, Pist	1
28.1	180-107	SLAVE CYLINDER ADJUSTER - Screw, M6x7mm	1
28.3	180-122B	SLAVE CYLINDER HOUSING - KT350 Adjustable Slave Cylinde	1
28.2	180-218A	SLAVE CYLINDER PISTON - DIV 1.5	1
50	414-238	HARDWARE - 2 x 8mm Crush Washers	2
53	418-804	HARDWARE - 021 EPDM X Ring Black	1
53.1	418-907	HARDWARE - 011 EPDM O-ring	2
53.2	418-915A	HARDWARE - BUNA O-ring, size 30mmID x 1.5mmW, Black	1
53.3	418-917A	HARDWARE - 1.5x24mm Viton O-ring, 75Dur	1
Not Show	419-104	HARDWARE - 15 in L X 1/4OD. X .17ID. Clear Vinyl Tube	1
55	420-303A	GASKET - Slave Cylinder - Brembo - fits 180-122	1
56	431-304	BALL BEARING - 1/4in Chrome Steel Ball	1
Not Shown	821-013A	Prop. 65 Warning Label	1