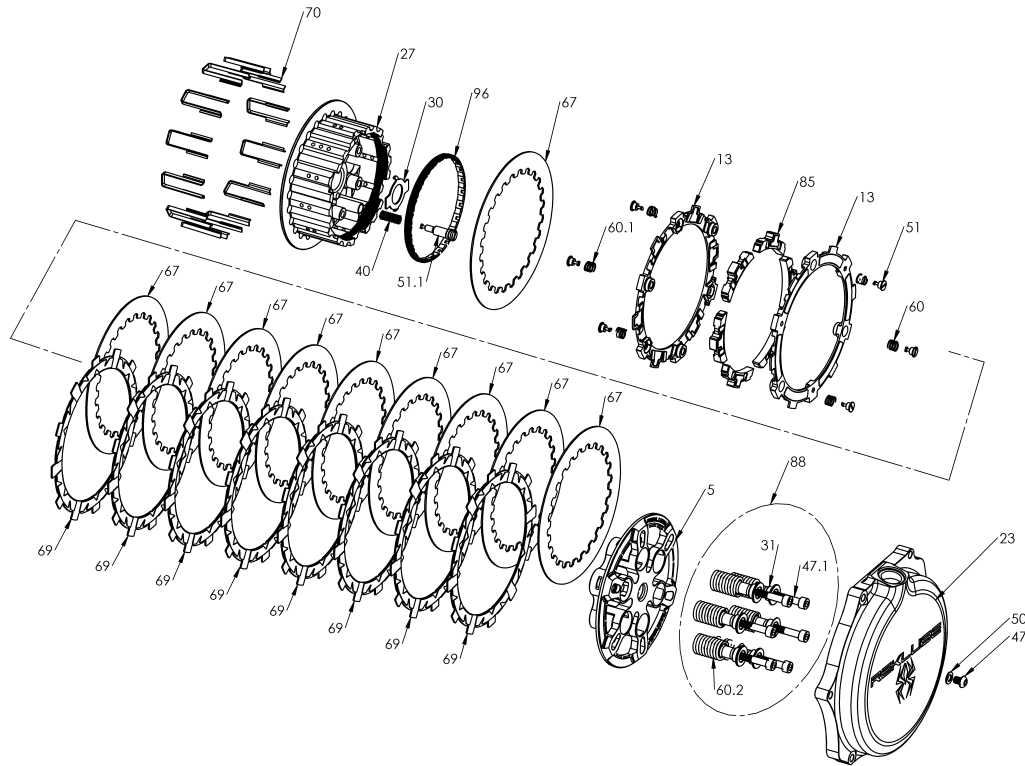
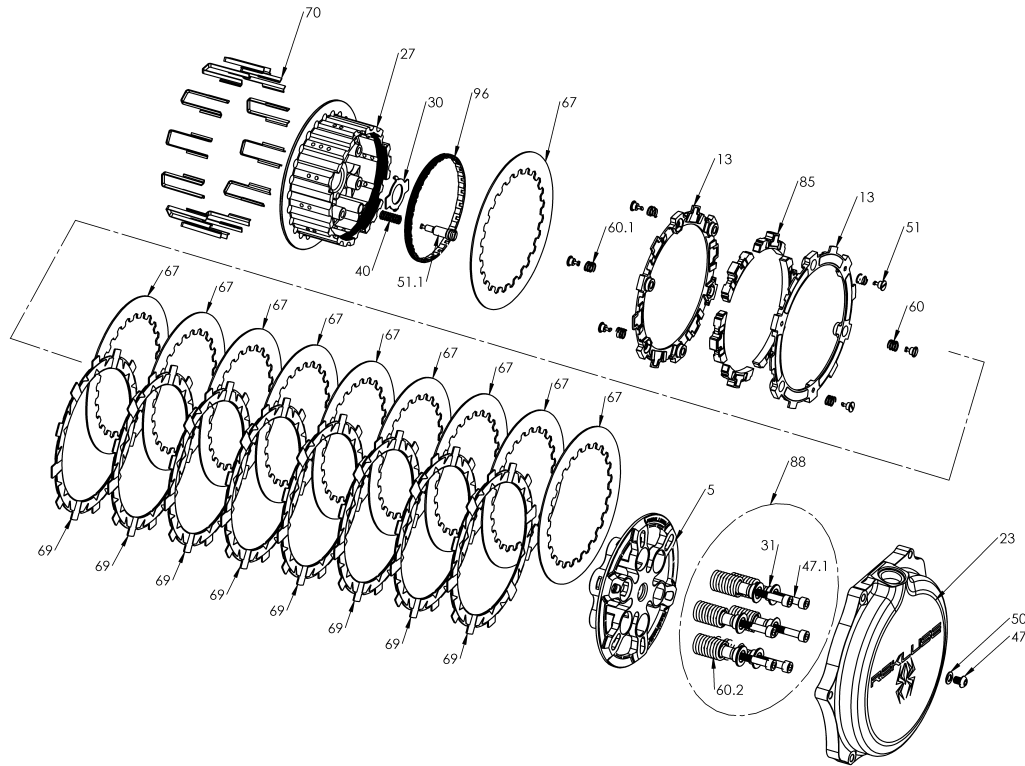


RMS-7906064E - RADIUSCX CLUTCH



Item	Part Number	Item Description	Qty
5	113-109A	PRESSURE PLATE - RadiusCX - S450	1
13	140-222C	EXP 3.0 BASE - S450 TD	2
23	169-764B	CLUTCH COVER - TorqDrive - RMZ450 (08+)	1
96	172-001A	HUB ADJUSTER RING - 450 Size	1
27	178-109A	CENTER CLUTCH HUB - RadiusCX/Core - S450	1
30	183-001A	HARDWARE - Core 450 Center Clutch Tab Lock Washer	1
47	411-127	FASTENER - 6mm stainless Steel button head socket - 8 mm	1
50	414-137	HARDWARE - M6 Copper Washer	1
51	415-000	FASTENER - Quarter Turn Pin	6
Not Shown	415-000	FASTENER - Quarter Turn Pin	2
Not Shown	418-911A	HARDWARE - V75 Viton O-ring, Black, Size -010	1
Not Shown	419-121	HARDWARE - 0.5 Black Free Play Gain Rubber Band	1
Not Shown	419-711A	HARDWARE - Velcro Strap 1in X 12in	1
40	440-005A	SPRING - CX Hub Coil Spring	1
Not Shown	442-001	EXP ADJUSTMENT SPRING EXP - Silver	3

RMS-7906064E - RADIUSCX CLUTCH



Item	Part Number	Item Description	Qty
60	442-002	EXP ADJUSTMENT SPRING EXP - Red	6
Not Shown	442-003	EXP ADJUSTMENT SPRING EXP - Blue	3
67	465-487B	DRIVE PLATE - 0.048 zSP Core RMS S450 Precision	10
69	469-333A	FRICTION DISK - S450 TORQ-DRIVE - 2-Segment Pads	8
70	471-300	BASKET SLEEVE - H1.63 - 4S	12
Not Shown	491-011A	MISCELLANEOUS - Permanent Marker Pen	1
85	741-012B	EXP 3.0 WEDGE ASSEMBLY - H450 - Medium	6
88	744-010	CORE CLUTCH SPRING KIT - 450 - Medium (Red)	1
31	184-101B	HARDWARE - EXP Screw Sleeve	6
47.1	411-135	FASTENER - M6 x 40mm Socket Head Cap Screw	6
60.1	442-101	PRESSURE PLATE SPRING - 450 Class Bikes Medium Red (incl	6
51.1	749-000A	FASTENER - Quarter-Turn Pin, CX Hub	1
Not Shown	821-013A	Prop. 65 Warning Label	1