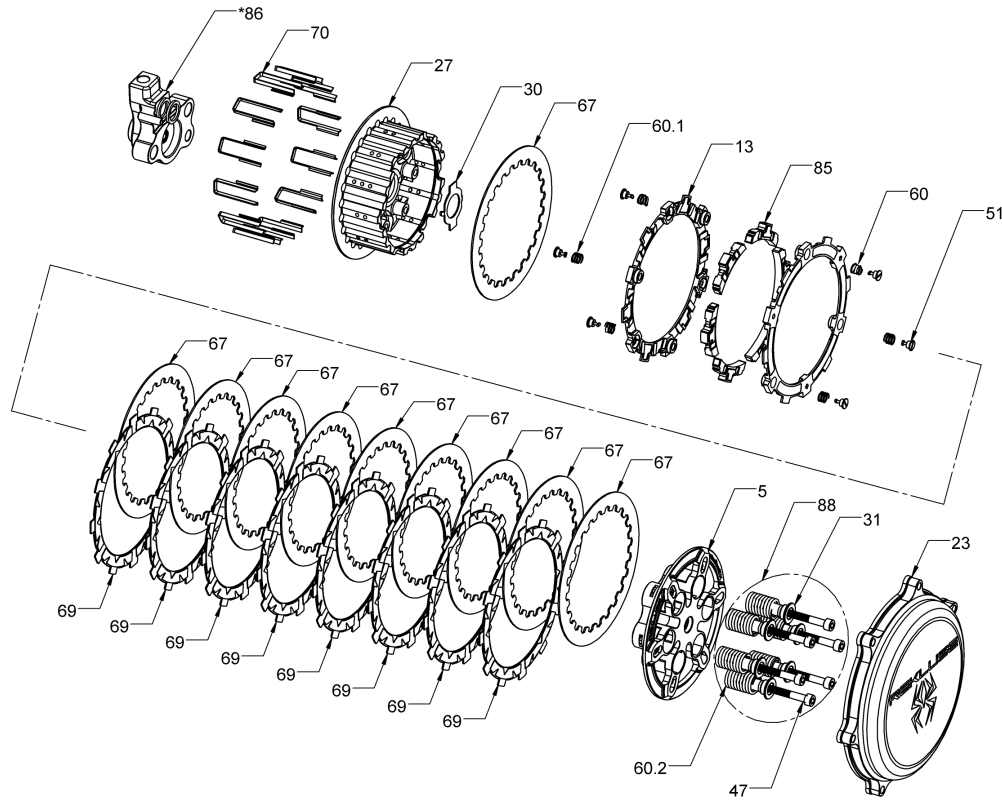


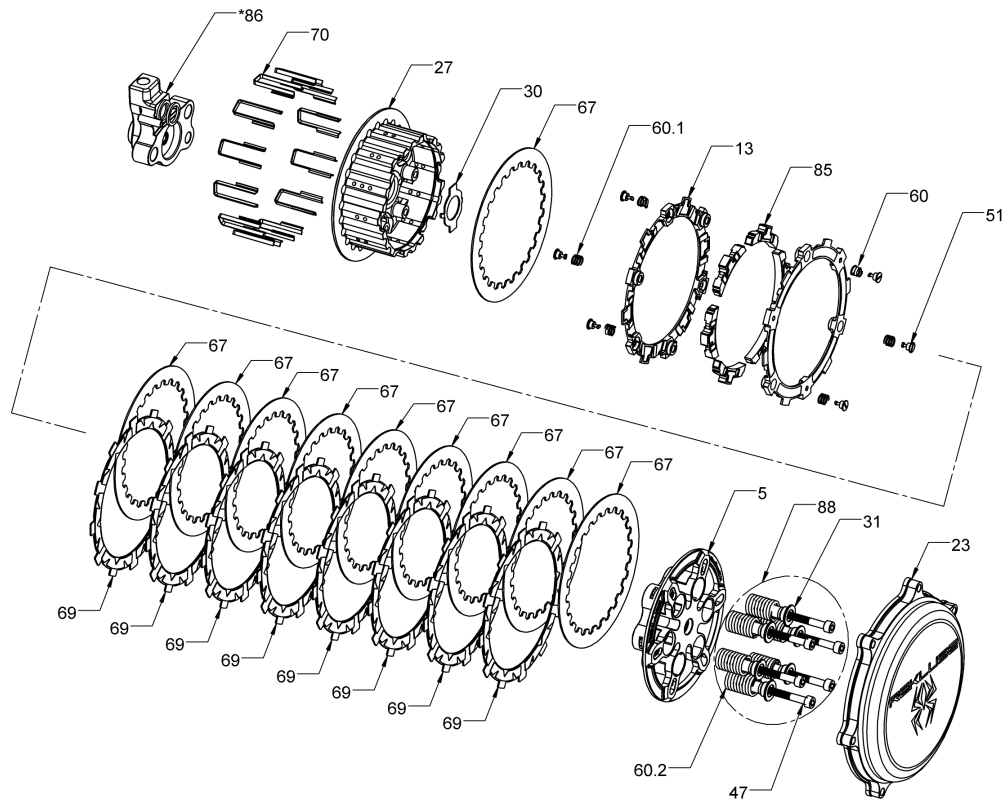
# RMS-7904046A - RADIUSCX CLUTCH



*\*SLAVE CYLINDER ASSEMBLY FICHE CAN BE VIEWED SEPARATELY.  
REBUILD KIT ALSO AVAILABLE SEPERATELY FROM REKLUSE.*

Item	Part Number	Item Description	Qty
5	113-106A	PRESSURE PLATE - RadiusCX - K450	1
13	140-220C	EXP 3.0 BASE - H450 TD	2
23	169-746A	CLUTCH COVER - TorqDrive - K450 (19+)	1
27	178-146A	CENTER CLUTCH HUB - RadiusCX/Core - 19+ K450	1
30	183-001A	HARDWARE - Core 450 Center Clutch Tab Lock Washer	1
51	415-000	FASTENER - Quarter Turn Pin	6
Not Shown	415-000	FASTENER - Quarter Turn Pin	2
Not Shown	419-121	HARDWARE - 0.5 Black Free Play Gain Rubber Band	1
Not Shown	442-002	EXP ADJUSTMENT SPRING EXP - Red	3
60	442-002	EXP ADJUSTMENT SPRING EXP - Red	3
60.1	442-003	EXP ADJUSTMENT SPRING EXP - Blue	3
Not Shown	442-003	EXP ADJUSTMENT SPRING EXP - Blue	3
67	465-481B	DRIVE PLATE - 0.048 zSP/Core RMS H450 Precision	10
69	469-301A	FRICITION DISK - H450 TORQ-DRIVE	8
70	471-300	BASKET SLEEVE - H1.63 - 4S	12

# RMS-7904046A - RADIUSCX CLUTCH



*\*SLAVE CYLINDER ASSEMBLY FICHE CAN BE VIEWED SEPARATELY.  
REBUILD KIT ALSO AVAILABLE SEPERATELY FROM REKLUSE.*

Item	Part Number	Item Description	Qty
85	741-012B	EXP 3.0 WEDGE ASSEMBLY - H450 - Medium	6
86	742-046A	ADJUSTABLE SLAVE ASSEMBLY - 19+ KX450 - Housing 180-1	1
28.1	180-107	SLAVE CYLINDER ADJUSTER - Screw, M6x7mm	1
28.2	180-146A	SLAVE CYLINDER HOUSING - 19+ Kawaski KX450 ASC	1
28.3	180-346A	SLAVE CYLINDER PISTON - DIV 0.070 WS 19+ KX450	1
50	414-230	HARDWARE - Crush Washers: 10mm	2
53.1	418-907	HARDWARE - 011 EPDM O-ring	2
53.2	418-925A	HARDWARE - EPDM O-Ring, size-018, Black, for 22mm Bore	2
Not Show	419-104	HARDWARE - 15 in L X 1/4OD. X .17ID. Clear Vinyl Tube	1
56	431-307	BALL BEARING - 3/16in Chrome Steel Ball	1
59	441-046A	WAVE SPRING - Slave Cylinder Return - 2019 KX450	1
88	744-010	CORE CLUTCH SPRING KIT - 450 - Medium (Red)	1
31	184-101B	HARDWARE - EXP Screw Sleeve	6
47	411-135	FASTENER - M6 x 40mm Socket Head Cap Screw	6
60.2	442-101	PRESSURE PLATE SPRING - 450 Class Bikes Medium Red (incl	6