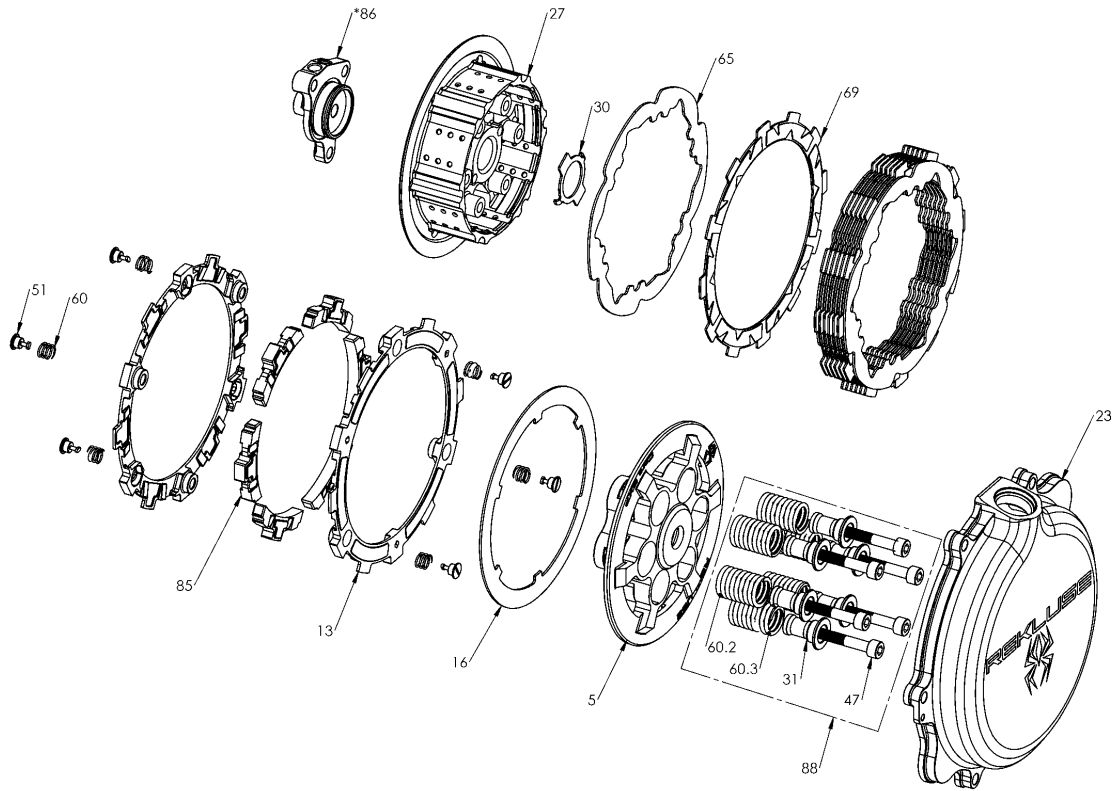


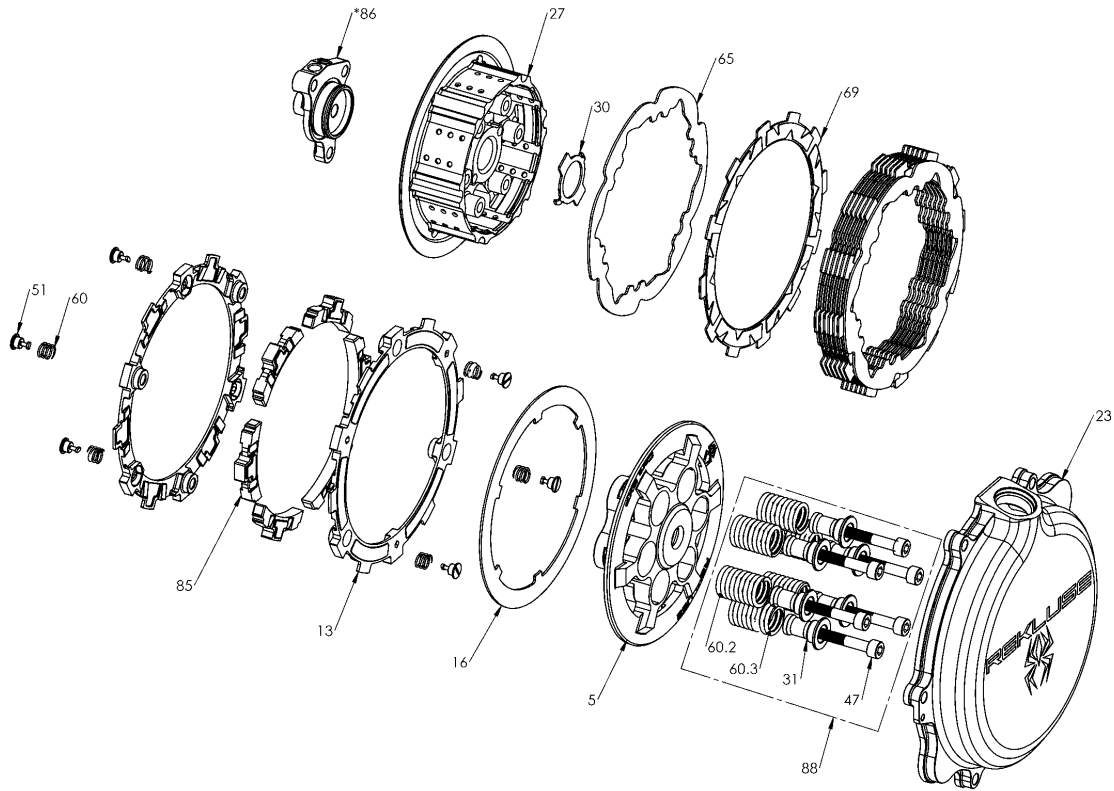
RMS-7903083C - RADIUSCX CLUTCH (CSS)



**SLAVE CYLINDER ASSEMBLY FICHE CAN BE VIEWED SEPARATELY.
REBUILD KIT ALSO AVAILABLE SEPERATELY FROM REKLUSE.*

Item	Part Number	Item Description	Qty
5	113-019B	PRESSURE PLATE - Core EXP 3.0 - KTM Freeride 250	1
13	140-215D	EXP 3.0 BASE - KT350	2
16	143-012A	EXP LINING PLATE - KTM	1
23	169-986A	CLUTCH COVER - KTM/Husqvarna 250/300 2-stroke	1
27	178-038D	CENTER CLUTCH - CORE EXP/CORE MANUAL - KTM 250F,35	1
30	183-002	HARDWARE - Core Center Clutch Tab Lock Washer 27mm	1
51	415-000	FASTENER - Quarter Turn Pin	6
Not Shown	415-000	FASTENER - Quarter Turn Pin	2
Not Shown	419-120	HARDWARE - 1 Orange Free Play Gain Rubber Band	1
Not Shown	442-001	EXP ADJUSTMENT SPRING EXP - Silver	3
60	442-002	EXP ADJUSTMENT SPRING EXP - Red	6
Not Shown	442-003	EXP ADJUSTMENT SPRING EXP - Blue	3
65	462-710A	DRIVE PLATE - 0.048 TEC 2 - KT 6-pin	8
69	469-536A	FRICTION DISK - KT350 TORQ-DRIVE - 2-Segment Pads	7
85	741-015B	EXP 3.0 WEDGE ASSEMBLY - KT350 - Heavy	6

RMS-7903083C - RADIUSCX CLUTCH (CSS)



**SLAVE CYLINDER ASSEMBLY FICHE CAN BE VIEWED SEPARATELY.
REBUILD KIT ALSO AVAILABLE SEPERATELY FROM REKLUSE.*

Item	Part Number	Item Description	Qty
86	742-016F	ADJUSTABLE SLAVE CYLINDER ASSEMBLY - Housing-119, Pis	1
88	744-090A	CORE CLUTCH SPRING KIT - 250 Freeride - (3 Silver, 3 Gold)	1
31	184-101B	HARDWARE - EXP Screw Sleeve	6
47	411-140	FASTENER - M6-1 x 35mm Thermal Black Socket Cap Screw	6
60.2	442-103	PRESSURE PLATE SPRING - 250 Class Bikes Medium Silver	3
60.3	442-104	PRESSURE PLATE SPRING - 250 Class Bikes Heavy Gold	3
Not Shown	821-013A	Prop. 65 Warning Label	1