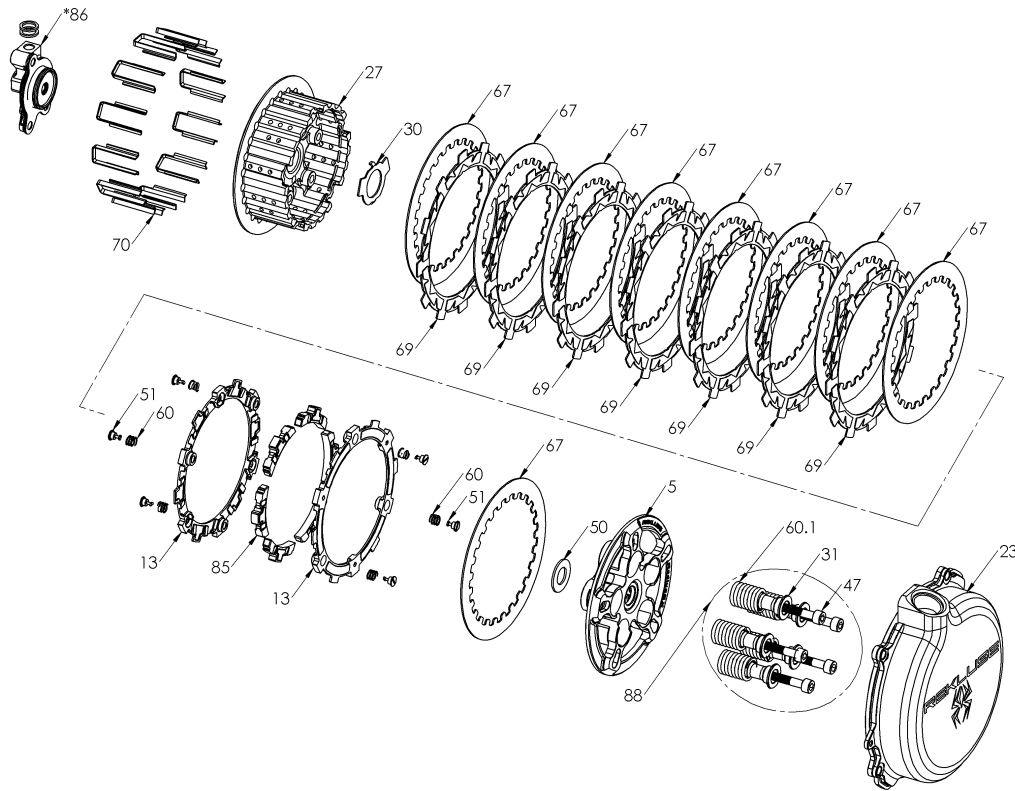


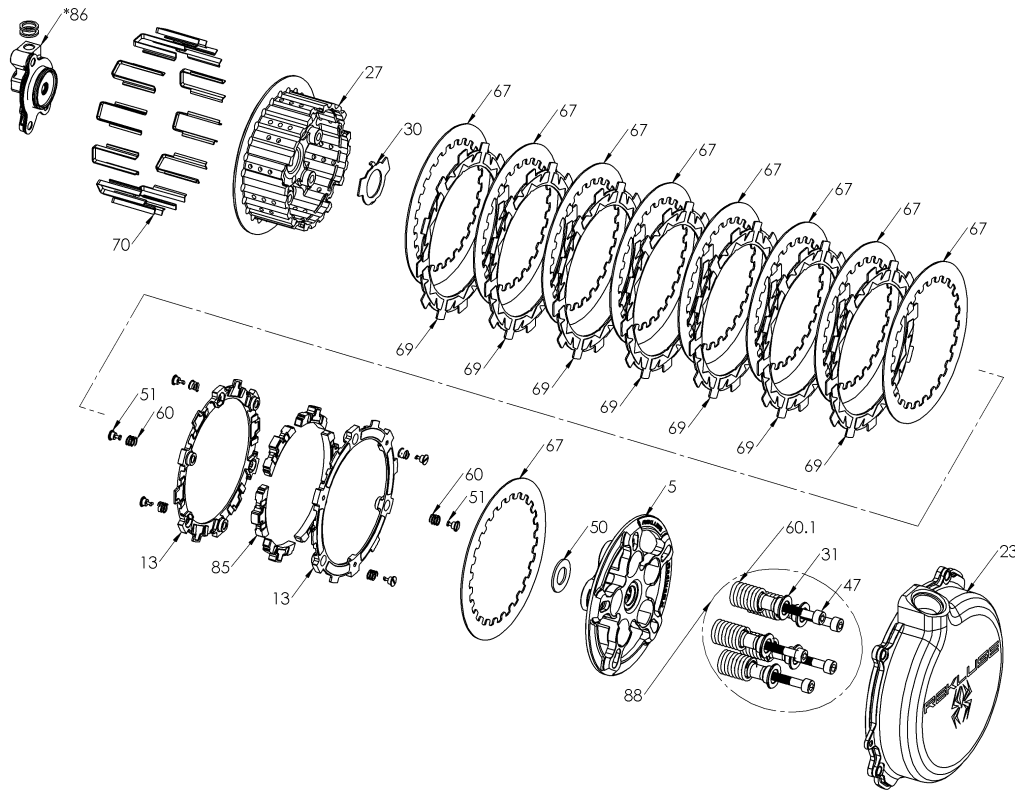
RMS-7903037A - RADIUSCX CLUTCH



**SLAVE CYLINDER ASSEMBLY FICHE CAN BE VIEWED SEPARATELY.
REBUILD KIT ALSO AVAILABLE SEPERATELY FROM REKLUSE.*

Item	Part Number	Item Description	Qty
5	113-116A	PRESSURE PLATE - RadiusCX - KTM125	1
13	140-223B	EXP 3.0 BASE - H250 TD	2
23	169-937B	CLUTCH COVER - KT125/KT150/KT200	1
27	178-116A	CENTER CLUTCH HUB - RadiusCX/Core - KTM125	1
30	183-005A	HARDWARE - Torqdrive Pin Clutch Tab Lock Washer 32mm	1
50	414-141	HARDWARE - TO Spacing Washer	1
51	415-000	FASTENER - Quarter Turn Pin	6
Not Shown	415-000	FASTENER - Quarter Turn Pin	2
Not Shown	419-120	HARDWARE - 1 Orange Free Play Gain Rubber Band	1
60	442-001	EXP ADJUSTMENT SPRING EXP - Light (Silver)	6
Not Shown	442-002	EXP ADJUSTMENT SPRING EXP - Medium (Red)	3
Not Shown	442-007A	EXP ADJUSTMENT SPRING EXP - 2LB (Steel)	3
67	465-400B	DRIVE PLATE - 0.040 Core RMS TC250 Precision	9
69	469-334A	FRICTION DISK - H250 TORQ-DRIVE - 2-Segment Pads	7
70	471-304A	BASKET SLEEVE - KTM 690 - 1.450in Tall	12

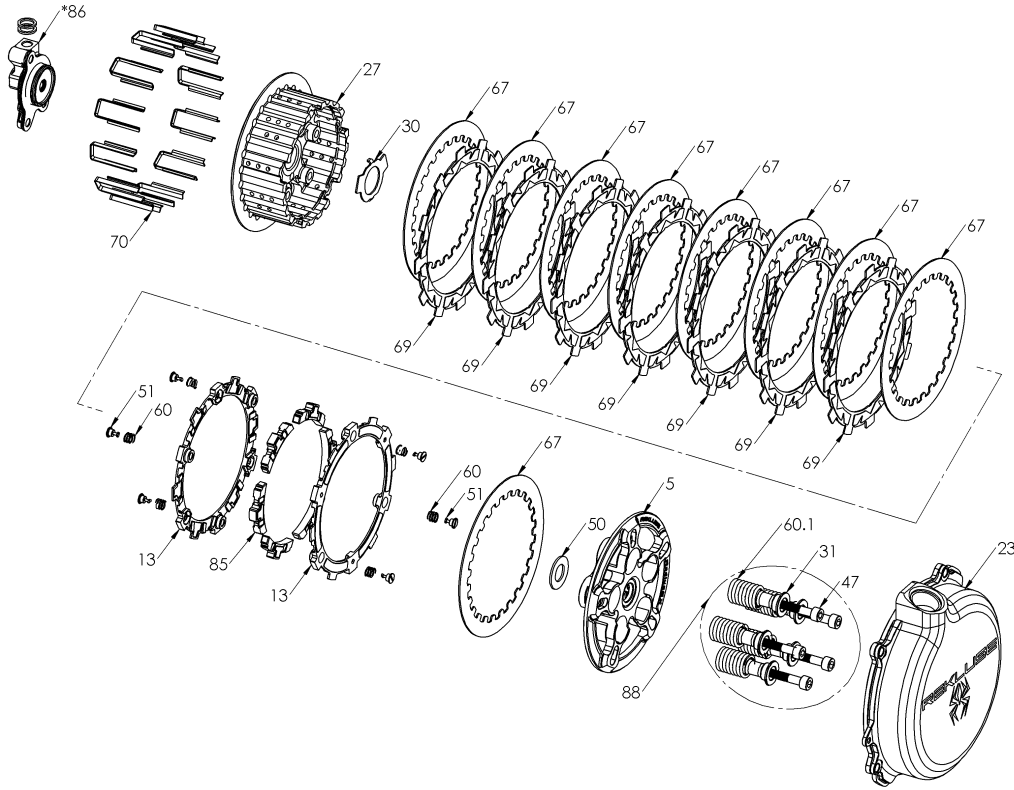
RMS-7903037A - RADIUSCX CLUTCH



**SLAVE CYLINDER ASSEMBLY FICHE CAN BE VIEWED SEPARATELY.
REBUILD KIT ALSO AVAILABLE SEPERATELY FROM REKLUSE.*

Item	Part Number	Item Description	Qty
Not Shown	491-011A	MISCELLANEOUS - Permanent Marker Pen	1
85	741-013B	EXP 3.0 WEDGE ASSEMBLY - H250 - Heavy	6
86	742-005D	ADJUSTABLE SLAVE CYLINDER ASSEMBLY - KT125/200 180-1	1
28	180-103A	SLAVE CYLINDER HOUSING - KT125-KT200 Adjustable Slave	1
28.1	180-107	SLAVE CYLINDER ADJUSTER - Screw, M6x7mm	1
28.2	180-209A	SLAVE CYLINDER PISTON - DIV 1.5	1
50.1	414-230	HARDWARE - Crush Washers: 10mm	2
53	418-805	HARDWARE - 021 Brown Viton X Ring	1
53.1	418-908	HARDWARE - Brown Viton Fluoroelastomer O-Ring AS568A	2
53.2	418-917A	HARDWARE - 1.5x24mm Viton O-ring, 75Dur	1
Not Show	419-104	HARDWARE - 15 in L X 1/4OD. X .17ID. Clear Vinyl Tube	1
56	431-304	BALL BEARING - 1/4in Chrome Steel Ball	1
88	744-070	CORE CLUTCH SPRING KIT - 250 - Super Heavy (5 Red)	1
31	184-101B	HARDWARE - EXP Screw Sleeve	5
47	411-140	FASTENER - M6-1 x 35mm Thermal Black Socket Cap Screw	5

RMS-7903037A - RADIUSCX CLUTCH



**SLAVE CYLINDER ASSEMBLY FICHE CAN BE VIEWED SEPARATELY.
REBUILD KIT ALSO AVAILABLE SEPERATELY FROM REKLUSE.*

Item	Part Number	Item Description	Qty
60.1	442-101	PRESSURE PLATE SPRING - 450 Class Bikes Medium Red (incl	5