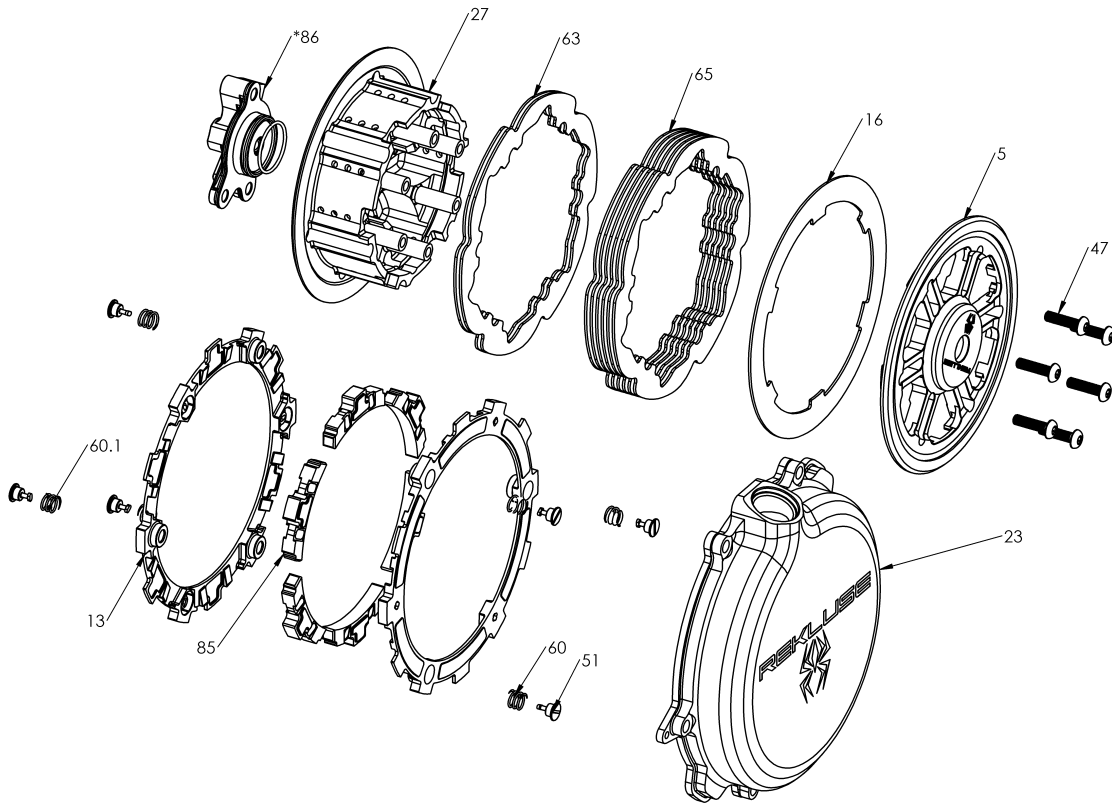


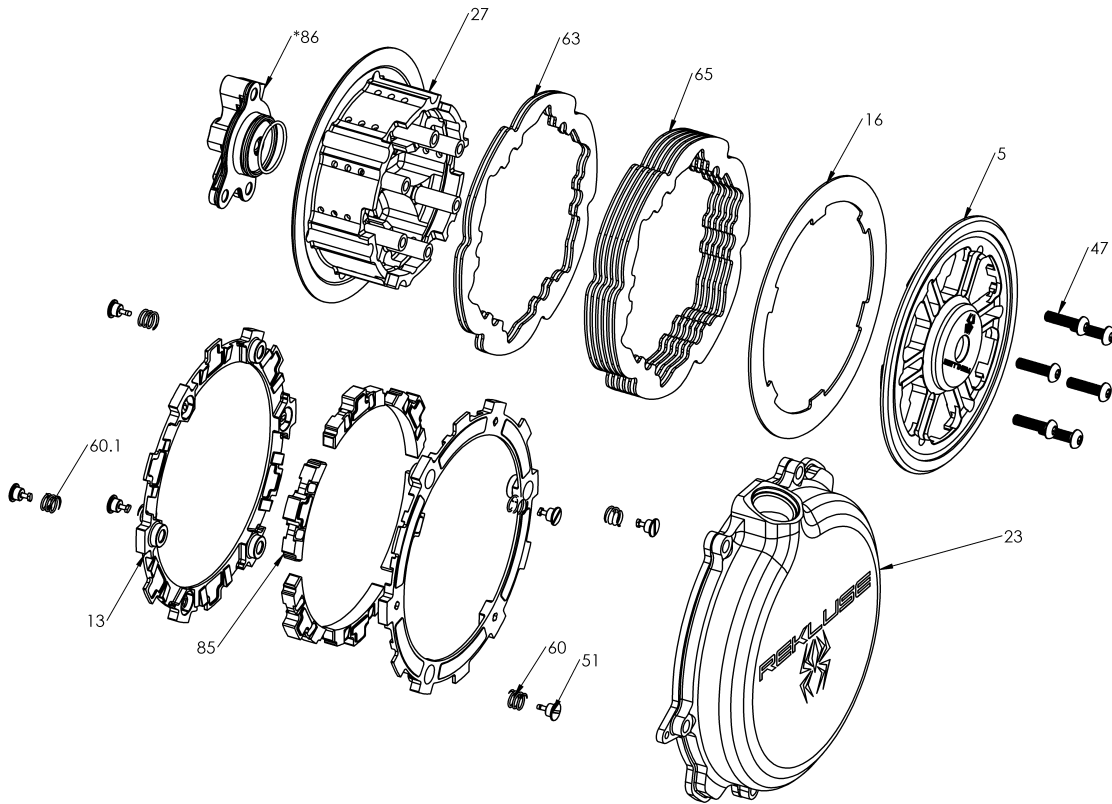
RMS-7796F - CORE EXP 3.0 DDS CLUTCH



**SLAVE CYLINDER ASSEMBLY FICHE CAN BE VIEWED SEPARATELY.
REBUILD KIT ALSO AVAILABLE SEPERATELY FROM REKLUSE.*

Item	Part Number	Item Description	Qty
5	113-020B	PRESSURE PLATE - Core EXP - KTM 450 16+	1
13	140-215D	EXP 3.0 BASE - KT350	2
16	143-010	EXP LINING PLATE - KTM	1
23	169-990B	CLUTCH COVER - KTM & HUSQ 250,300 2T (17+)	1
27	178-034D	CENTER CLUTCH - CORE EXP/CORE MANUAL - KTM 350/450	1
Not Shown	183-008A	HARDWARE - DDS Lock Tab Washer	1
47	411-154A	FASTENER - M5 x 20 Button-Head T-25 Torx Screw 10.9	6
47.1	411-184A	FASTENER - M6 x 60mm Hex Flange Head Bolt TX30	1
Not Shown	411-906	HARDWARE - T-25 Torx Bit	1
51	415-000	FASTENER - Quarter Turn Pin	6
Not Shown	415-000	FASTENER - Quarter Turn Pin	2
Not Shown	419-120	HARDWARE - 1 Orange Free Play Gain Rubber Band	1
Not Shown	442-001	EXP ADJUSTMENT SPRING EXP - Silver	6
60	442-002	EXP ADJUSTMENT SPRING EXP - Red	3
Not Shown	442-007A	EXP ADJUSTMENT SPRING EXP - 2LB (Steel)	3

RMS-7796F - CORE EXP 3.0 DDS CLUTCH



**SLAVE CYLINDER ASSEMBLY FICHE CAN BE VIEWED SEPARATELY.
REBUILD KIT ALSO AVAILABLE SEPERATELY FROM REKLUSE.*

Item	Part Number	Item Description	Qty
63	460-710A	DRIVE PLATE - 0.040 TEC 2 - KT 6-pin	3
65	462-710A	DRIVE PLATE - 0.048 TEC 2 - KT 6-pin	8
85	741-015B	EXP 3.0 WEDGE ASSEMBLY - KT350 - Heavy	6
86	742-026E	ADJUSTABLE SLAVE CYLINDER ASSEMBLY - Housing-122, Pis	1
Not Shown	821-013A	Prop. 65 Warning Label	1