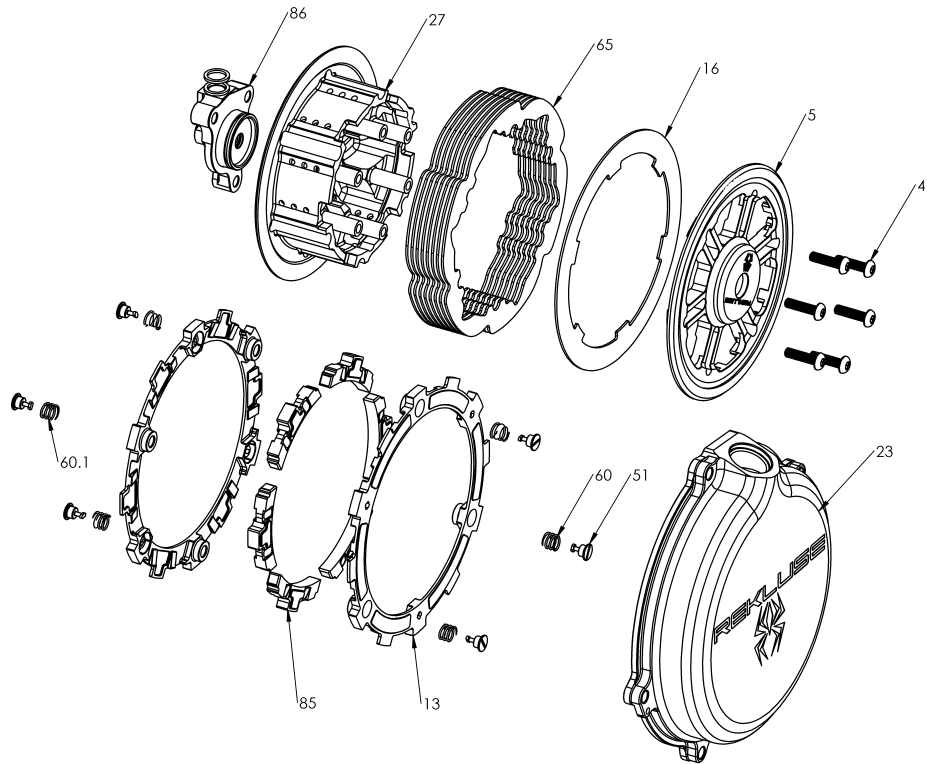


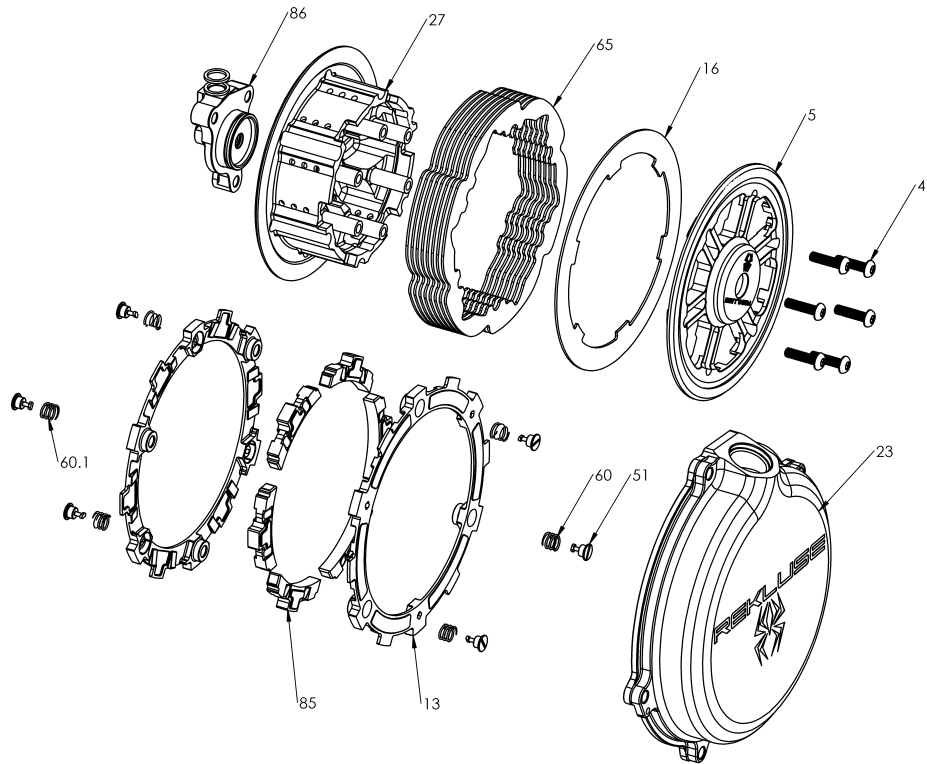
RMS-7782C - CORE EXP 3.0 DDS CLUTCH



**SLAVE CYLINDER ASSEMBLY FICHE CAN BE VIEWED SEPARATELY.
REBUILD KIT ALSO AVAILABLE SEPERATELY FROM REKLUSE.*

Item	Part Number	Item Description	Qty
5	113-020B	PRESSURE PLATE - Core EXP - KTM 450 16+	1
13	140-215D	EXP 3.0 BASE - KT350	2
16	143-010	EXP LINING PLATE - KTM	1
23	169-934D	CLUTCH COVER - KT450/KT500	1
27	178-034D	CENTER CLUTCH - CORE EXP/CORE MANUAL - KTM 350/450	1
Not Shown	183-008A	HARDWARE - DDS Lock Tab Washer	1
47	411-154A	FASTENER - M5 x 20 Button-Head T-25 Torx Screw 10.9	6
Not Shown	411-906	HARDWARE - T-25 Torx Bit	1
Not Shown	415-000	FASTENER - Quarter Turn Pin	2
Not Shown	415-000	FASTENER - Quarter Turn Pin	6
Not Shown	419-120	HARDWARE - 1 Orange Free Play Gain Rubber Band	1
Not Shown	442-003	EXP ADJUSTMENT SPRING EXP - Blue	3
60	442-003	EXP ADJUSTMENT SPRING EXP - Blue	3
60.1	442-004	EXP ADJUSTMENT SPRING EXP - Gold	3
Not Shown	442-004	EXP ADJUSTMENT SPRING EXP - Gold	3

RMS-7782C - CORE EXP 3.0 DDS CLUTCH



**SLAVE CYLINDER ASSEMBLY FICHE CAN BE VIEWED SEPARATELY.
REBUILD KIT ALSO AVAILABLE SEPERATELY FROM REKLUSE.*

Item	Part Number	Item Description	Qty
65	462-710A	DRIVE PLATE - 0.048 TEC 2 - KT 6-pin	8
85	741-016B	EXP 3.0 WEDGE ASSEMBLY - KT350 - Medium	6
86	742-002E	ADJUSTABLE SLAVE CYLINDER ASSEMBLY - Housing-100, Pist	1
Not Shown	821-013A	Prop. 65 Warning Label	1