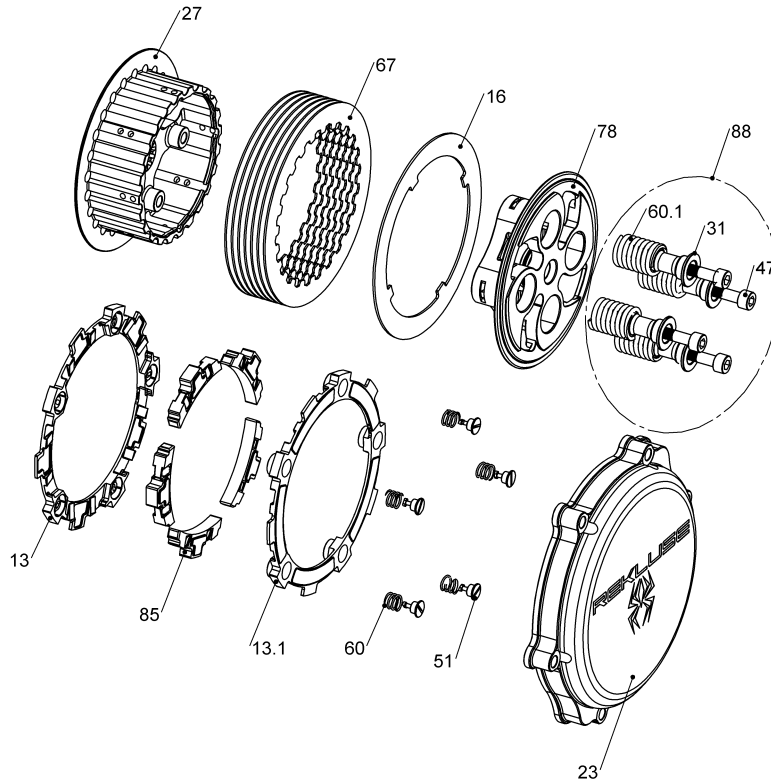
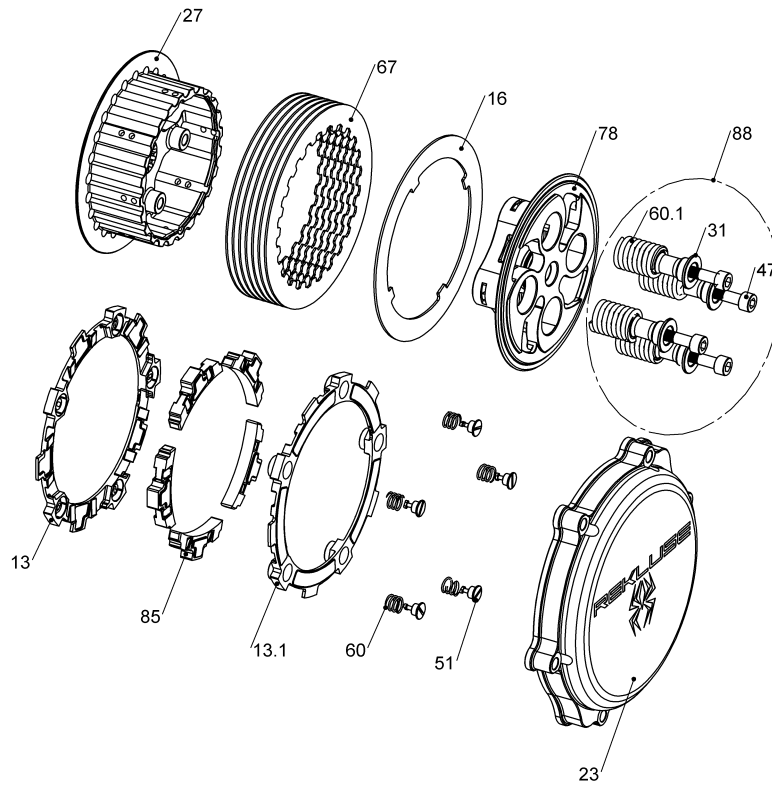


RMS-7772B - CORE EXP 3.0 CLUTCH



Item	Part Number	Item Description	Qty
13	140-237C	EXP 3.0 BASE - YZ85 - Female	1
13.1	140-238C	EXP 3.0 BASE - YZ85 - Male	1
16	143-021A	LINING PLATE - YZ85	1
23	169-972A	CLUTCH COVER - YZ85	1
27	178-044A	CENTER CLUTCH - CORE EXP/CORE MANUAL - YZ85	1
51	415-000	FASTENER - Quarter Turn Pin	5
Not Shown	415-000	FASTENER - Quarter Turn Pin	2
Not Shown	419-121	HARDWARE - 0.5 Black Free Play Gain Rubber Band	1
60	442-001	EXP ADJUSTMENT SPRING EXP - Silver	5
Not Shown	442-002	EXP ADJUSTMENT SPRING EXP - Red	5
Not Shown	442-007A	EXP ADJUSTMENT SPRING EXP - 2LB (Steel)	5
67	465-413B	DRIVE PLATE - 0.040 RM85	7
78	710-223A	PRESSURE PLATE ASSEMBLY - Core EXP, YZ85	1
85	741-031A	EXP 3.0 WEDGE ASSEMBLY - YZ85 - Medium	5
88	744-007A	CORE CLUTCH SPRING KIT - 85 Class Bikes	1

RMS-7772B - CORE EXP 3.0 CLUTCH



Item	Part Number	Item Description	Qty
31	184-101B	HARDWARE - EXP Screw Sleeve	4
47	411-140	FASTENER - M6-1 x 35mm Thermal Black Socket Cap Screw	4
60.1	442-104	PRESSURE PLATE SPRING - 250 Class Bikes Heavy Gold	4