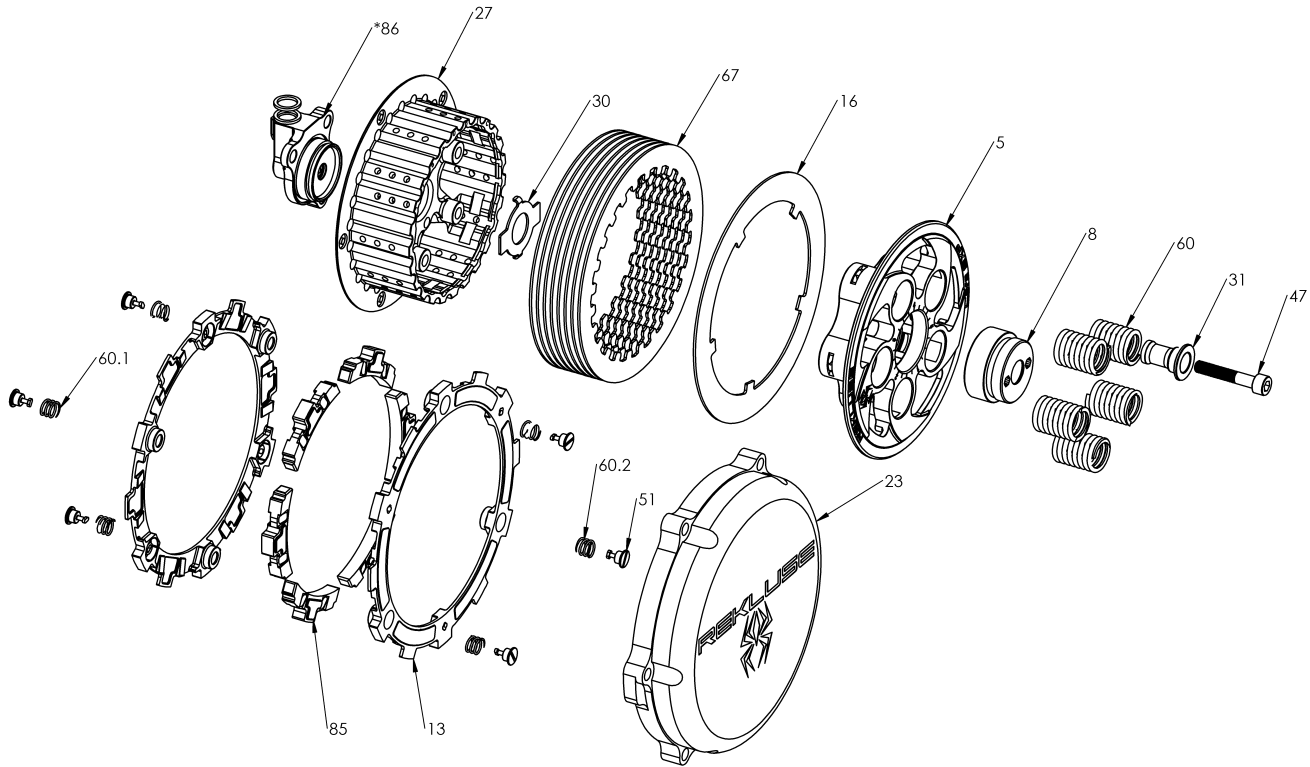


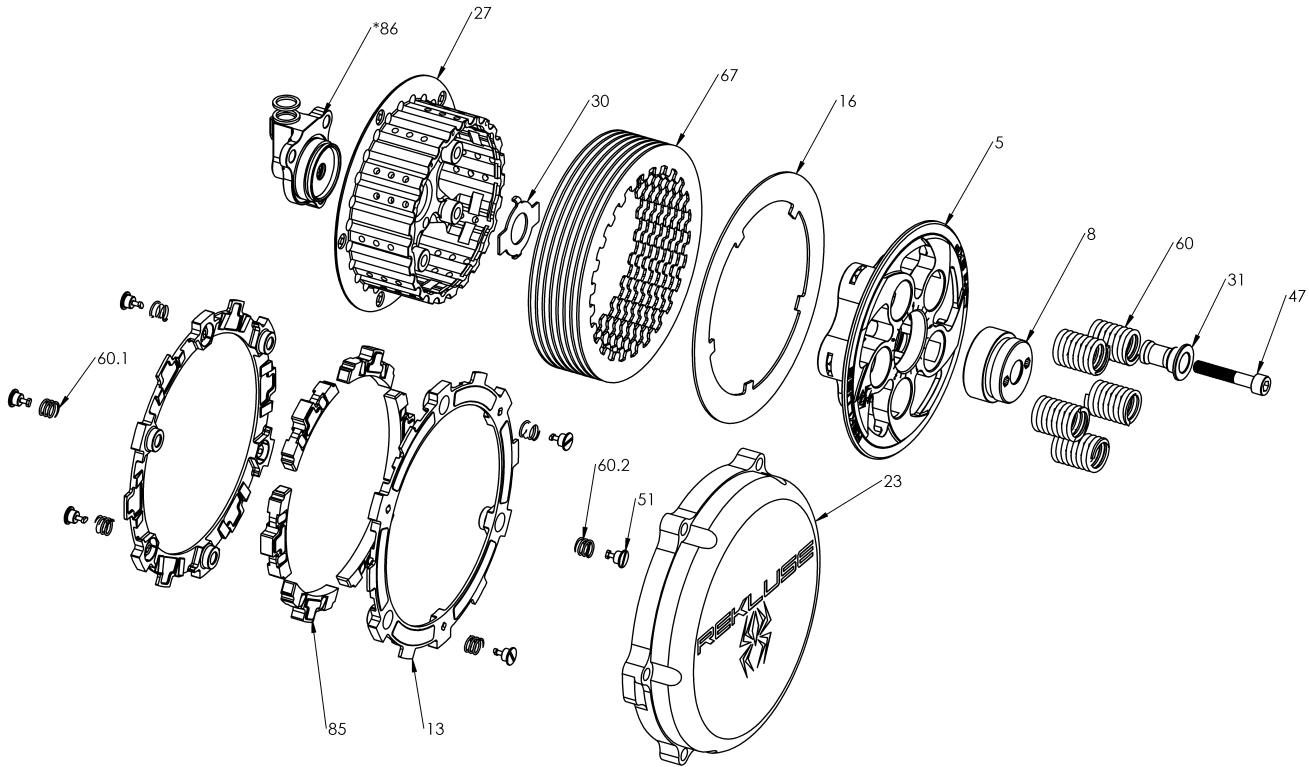
RMS-7755E - CORE EXP 3.0 CLUTCH



**SLAVE CYLINDER ASSEMBLY FICHE CAN BE VIEWED SEPARATELY.
REBUILD KIT ALSO AVAILABLE SEPERATELY FROM REKLUSE.*

Item	Part Number	Item Description	Qty
5	113-014A	PRESSURE PLATE - Core EXP 3.0 - 250 Class	1
8	116-155	Pressure Plate Plug - 7755	1
13	140-213B	EXP 3.0 BASE - H250	2
16	143-018A	LINING PLATE - 250 Class EXP 3.0	1
23	169-955B	CLUTCH COVER - HQ250	1
27	178-001C	CENTER CLUTCH - CORE EXP/CORE MANUAL - HQ250	1
30	183-003A	HARDWARE - Core Center Clutch Tab Lock Washer 22mm	1
51	415-000	FASTENER - Quarter Turn Pin	6
Not Shown	415-000	FASTENER - Quarter Turn Pin	2
Not Shown	419-120	HARDWARE - 1 Orange Free Play Gain Rubber Band	1
Not Shown	442-001	EXP ADJUSTMENT SPRING EXP - Light (Silver)	3
60.1	442-001	EXP ADJUSTMENT SPRING EXP - Light (Silver)	3
60.2	442-002	EXP ADJUSTMENT SPRING EXP - Medium (Red)	3
Not Shown	442-002	EXP ADJUSTMENT SPRING EXP - Medium (Red)	3
67	465-400B	DRIVE PLATE - 0.040 Core RMS TC250 Precision	8

RMS-7755E - CORE EXP 3.0 CLUTCH



**SLAVE CYLINDER ASSEMBLY FICHE CAN BE VIEWED SEPARATELY.
REBUILD KIT ALSO AVAILABLE SEPERATELY FROM REKLUSE.*

Item	Part Number	Item Description	Qty
85	741-014B	EXP 3.0 WEDGE ASSEMBLY - H250 - Medium	6
86	742-009D	ADJUSTABLE SLAVE CYLINDER ASSEMBLY - RED HUSQVARN	1
28	180-107	SLAVE CYLINDER ADJUSTER - Screw, M6x7mm	1
28.1	180-115B	Adjustable Slave Cylinder Housing - Husqvarna	1
28.2	180-208A	SLAVE CYLINDER PISTON - DIV 1.5	1
50	414-230	HARDWARE - Crush Washers: 10mm	2
53	418-804	HARDWARE - 021 EPDM X Ring Black	1
53.1	418-907	HARDWARE - 011 EPDM O-ring	2
53.2	418-917A	HARDWARE - 1.5x24mm Viton O-ring, 75Dur	1
Not Show	419-104	HARDWARE - 15 in L X 1/4OD. X .17ID. Clear Vinyl Tube	1
56	431-304	BALL BEARING - 1/4in Chrome Steel Ball	1
88	744-040	CORE CLUTCH SPRING KIT - 250 - Heavy (Gold)	1
31	184-101B	HARDWARE - EXP Screw Sleeve	5
47	411-140	FASTENER - M6-1 x 35mm Thermal Black Socket Cap Screw	5
60	442-104	PRESSURE PLATE SPRING - 250 Class Bikes Heavy Gold	5