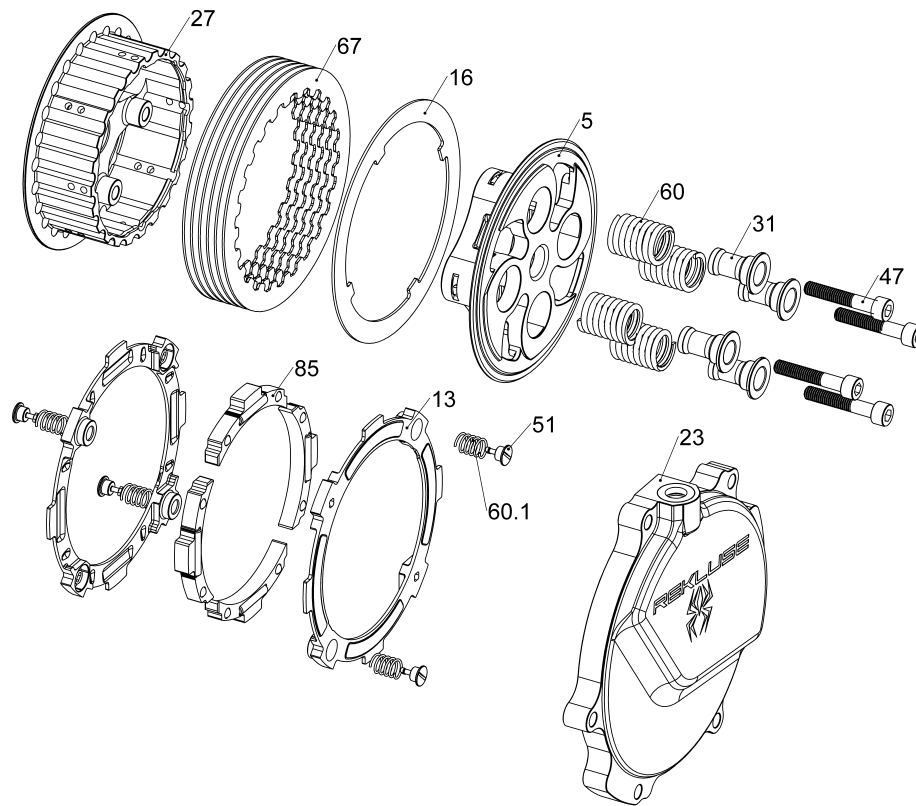
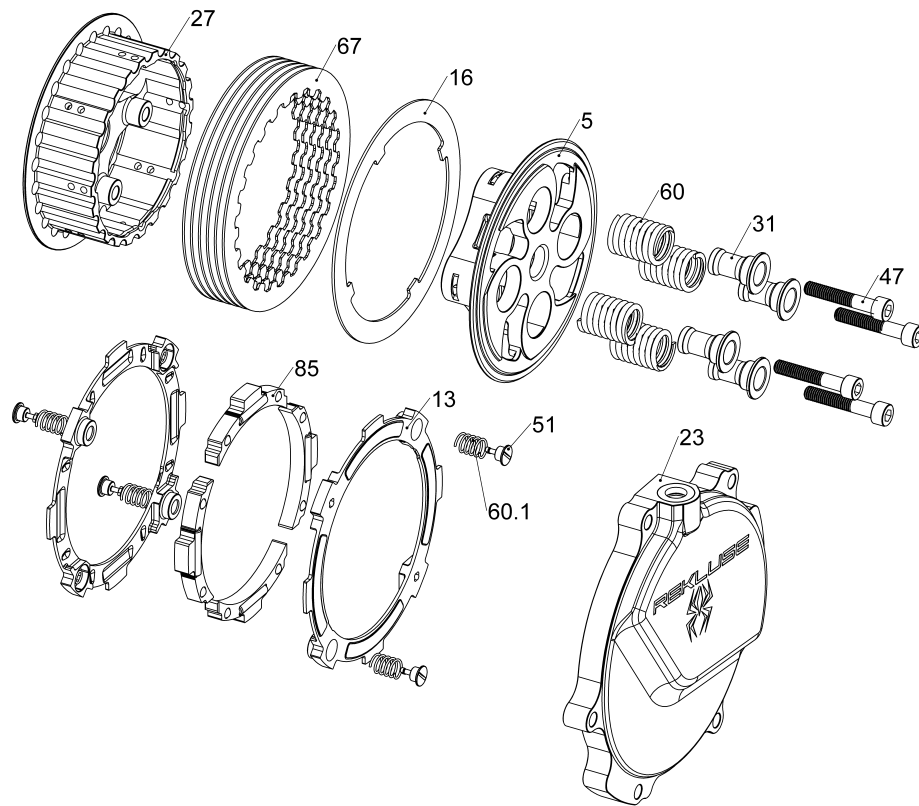


RMS-7742A - CORE EXP 3.0 CLUTCH



Item	Part Number	Item Description	Qty
5	113-018B	PRESSURE PLATE - Core EXP - KX80-85-100	1
13	140-219B	EXP RP Base - CRF150/230, KLX140	2
16	143-014B	LINING PLATE - CRF150R - KX85	1
23	169-942A	CLUTCH COVER - KX80-85-100	1
27	178-021A	CENTER CLUTCH - CORE EXP/CORE MANUAL - KX80-85-100	1
51	415-000	FASTENER - Quarter Turn Pin	4
Not Shown	415-000	FASTENER - Quarter Turn Pin	2
Not Shown	419-121	HARDWARE - 0.5 Black Free Play Gain Rubber Band	1
60.1	442-001	EXP ADJUSTMENT SPRING EXP - Light (Silver)	4
Not Shown	442-002	EXP ADJUSTMENT SPRING EXP - Medium (Red)	2
Not Shown	442-007A	EXP ADJUSTMENT SPRING EXP - 2LB (Steel)	2
67	465-405B	DRIVE PLATE - 0.040 zSP RMS H150 Precision	6
85	741-025C	RP WEDGE ASSEMBLY - CRF150, 230, KLX140	4
88	744-007A	CORE CLUTCH SPRING KIT - 85 Class Bikes	1
31	184-101B	HARDWARE - EXP Screw Sleeve	4

RMS-7742A - CORE EXP 3.0 CLUTCH



Item	Part Number	Item Description	Qty
47	411-140	FASTENER - M6-1 x 35mm Thermal Black Socket Cap Screw	4
60	442-104	PRESSURE PLATE SPRING - 250 Class Bikes Heavy Gold	4