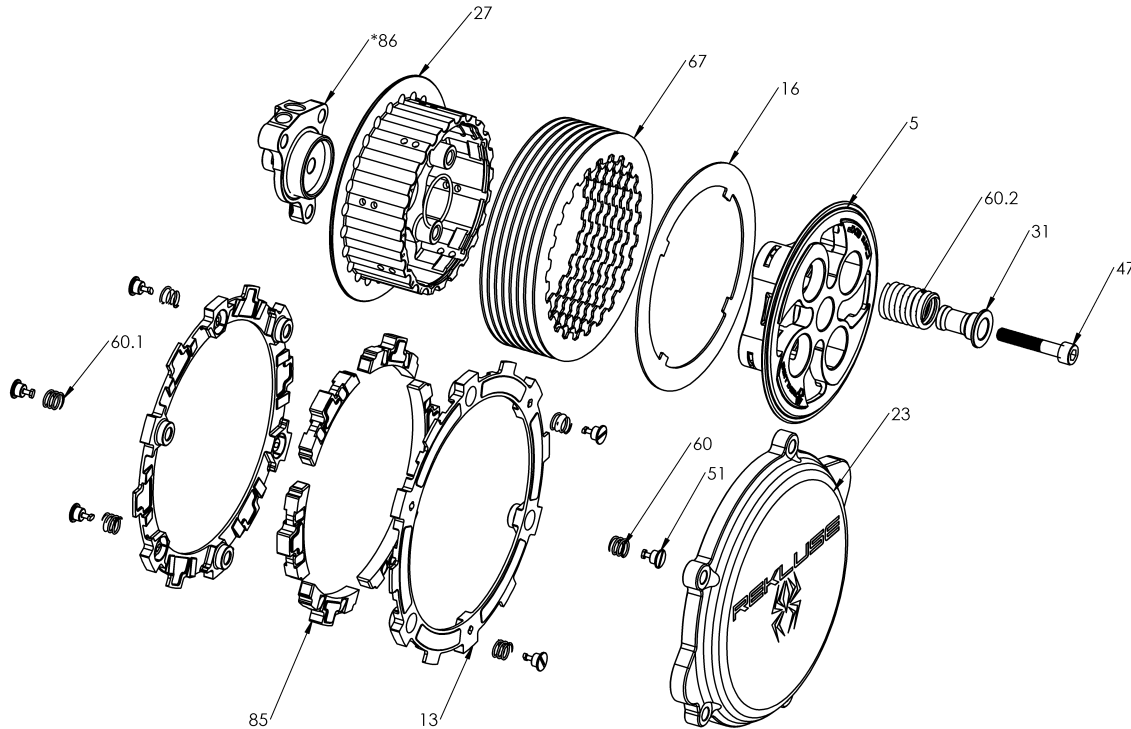


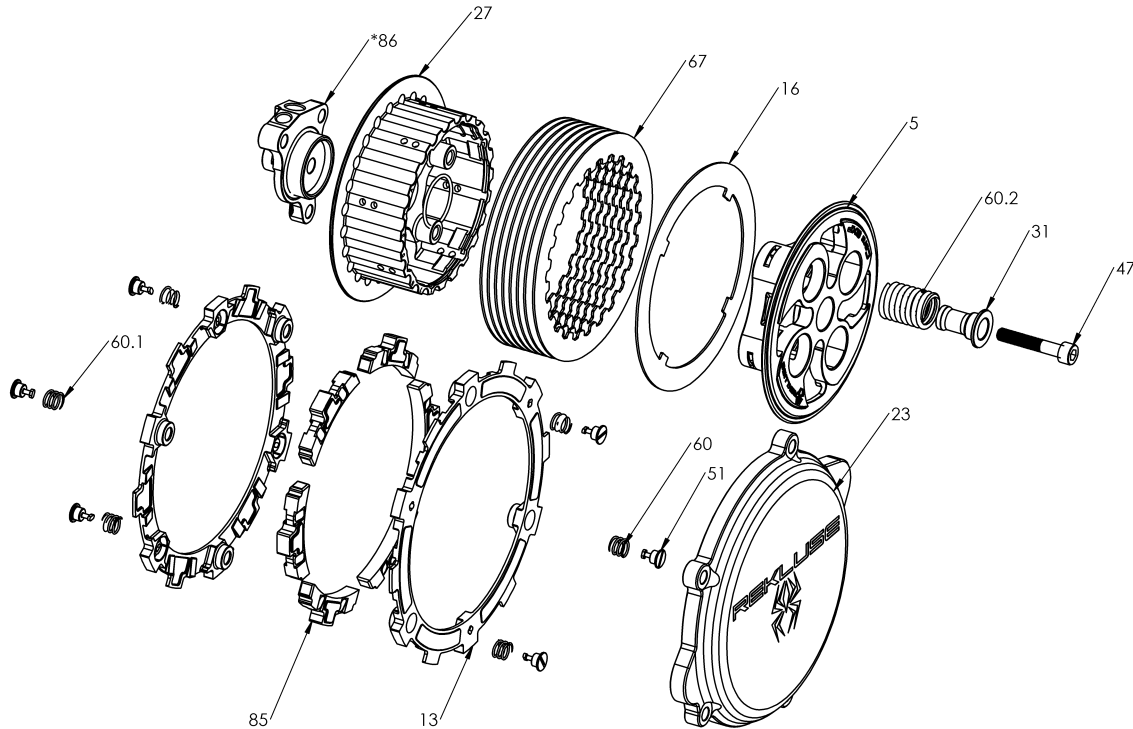
# RMS-7731E - CORE EXP 3.0 CLUTCH



*\*SLAVE CYLINDER ASSEMBLY FICHE CAN BE VIEWED SEPARATELY.  
REBUILD KIT ALSO AVAILABLE SEPERATELY FROM REKLUSE.*

Item	Part Number	Item Description	Qty
5	113-011A	PRESSURE PLATE - Core EXP - KT85/KT105	1
13	140-217B	EXP 3.0 Base - KT85/KT105	2
16	143-013B	LINING PLATE - KTM 85-105 Core EXP	1
23	169-931B	CLUTCH COVER - KT85/KT105	1
27	178-031A	CENTER CLUTCH - CORE EXP/CORE MANUAL - KT85/KT105	1
Not Shown	415-000	FASTENER - Quarter Turn Pin	2
51	415-000	FASTENER - Quarter Turn Pin	6
Not Shown	419-121	HARDWARE - 0.5 Black Free Play Gain Rubber Band	1
Not Shown	442-001	EXP ADJUSTMENT SPRING EXP - Light (Silver)	3
60	442-001	EXP ADJUSTMENT SPRING EXP - Light (Silver)	3
60.1	442-007A	EXP ADJUSTMENT SPRING EXP - 2LB (Steel)	3
Not Shown	442-007A	EXP ADJUSTMENT SPRING EXP - 2LB (Steel)	3
67	465-408B	DRIVE PLATE - 0.040 zSP RMS KTM85 Precision	7
85	741-020A	EXP 3.0 WEDGE ASSEMBLY - KTM 85/105 - Medium	6
86	742-015E	ADJUSTABLE SLAVE CYLINDER ASSEMBLY - Housing-120, Pis	1

# RMS-7731E - CORE EXP 3.0 CLUTCH



*\*SLAVE CYLINDER ASSEMBLY FICHE CAN BE VIEWED SEPARATELY.  
REBUILD KIT ALSO AVAILABLE SEPERATELY FROM REKLUSE.*

Item	Part Number	Item Description	Qty
28	180-107	SLAVE CYLINDER ADJUSTER - Screw, M6x7mm	1
28.1	180-120B	Adjustable Slave Cylinder Housing - Magura	1
28.2	180-214B	SLAVE CYLINDER PISTON - DIV 1.5	1
53	418-805	HARDWARE - 021 Brown Viton X Ring	1
53.1	418-908	HARDWARE - Brown Viton Fluoroelastomer O-Ring AS568A	2
53.2	418-914A	HARDWARE - BUNA O-ring, size-026, Black	1
53.3	418-917A	HARDWARE - 1.5x24mm Viton O-ring, 75Dur	1
Not Show	419-104	HARDWARE - 15 in L X 1/4OD. X .17ID. Clear Vinyl Tube	1
56	431-307	BALL BEARING - 3/16in Chrome Steel Ball	1
88	744-007A	CORE CLUTCH SPRING KIT - 85 Class Bikes	1
31	184-101B	HARDWARE - EXP Screw Sleeve	4
47	411-140	FASTENER - M6-1 x 35mm Thermal Black Socket Cap Screw	4
60.2	442-104	PRESSURE PLATE SPRING - 250 Class Bikes Heavy Gold	4