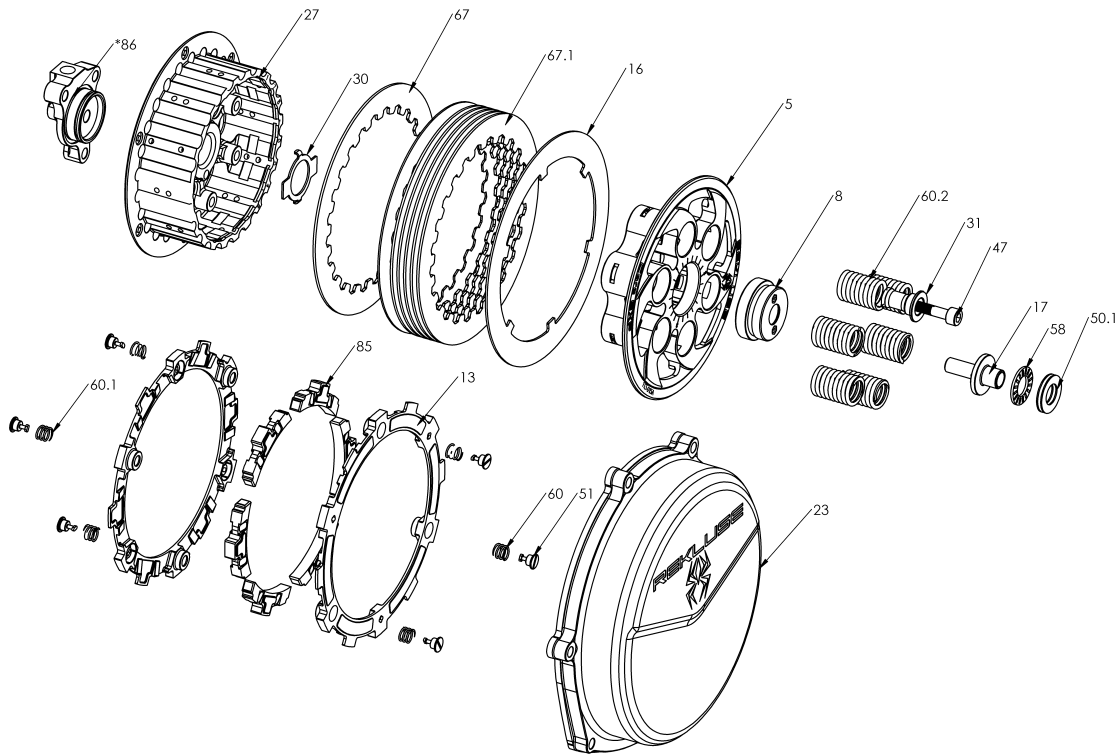


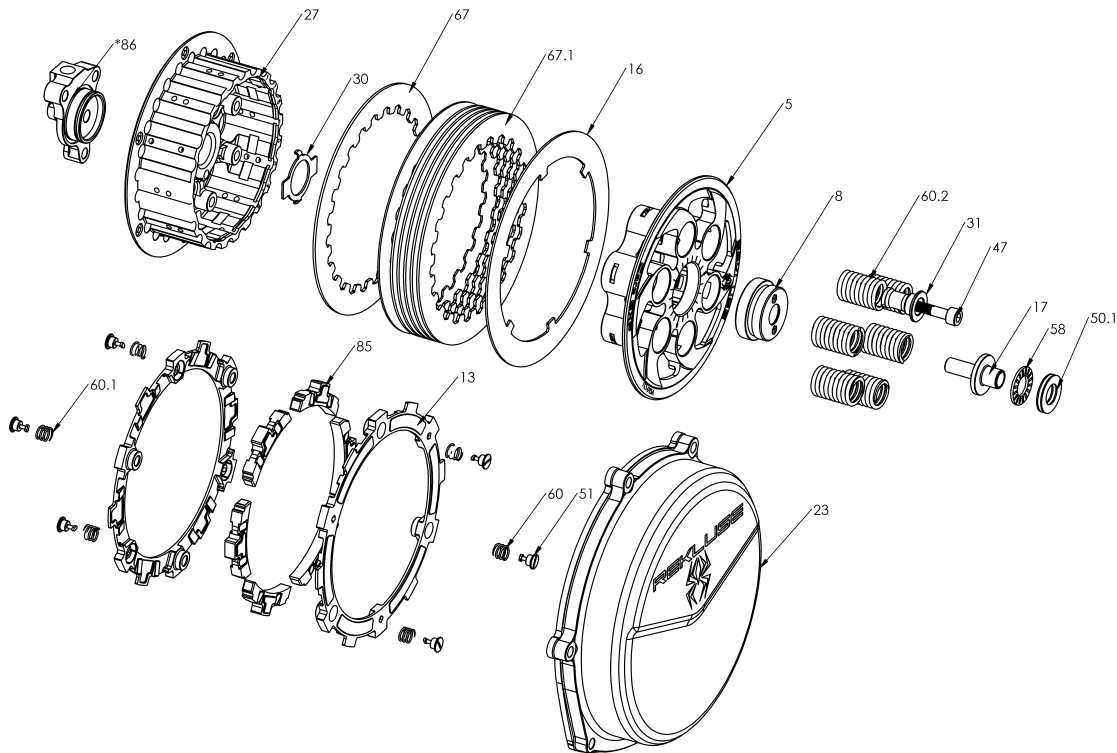
RMS-7723F - CORE EXP 3.0 CLUTCH



**SLAVE CYLINDER ASSEMBLY FICHE CAN BE VIEWED SEPARATELY.
REBUILD KIT ALSO AVAILABLE SEPERATELY FROM REKLUSE.*

Item	Part Number	Item Description	Qty
5	113-015A	PRESSURE PLATE - Core EXP 3.0 - 450 Class	1
8	116-100	Pressure Plate Plug - 7700, 7723	1
13	140-211B	EXP 3.0 BASE - Y450	2
16	143-017A	LINING PLATE - Y450 S450 EXP 3.0	1
23	169-923C	CLUTCH COVER - beta 450RR (10+)	1
27	178-004B	CENTER CLUTCH - CORE EXP/CORE MANUAL - BE450	1
30	183-002	HARDWARE - Core Center Clutch Tab Lock Washer 27mm	1
Not Shown	415-000	FASTENER - Quarter Turn Pin	6
Not Shown	415-000	FASTENER - Quarter Turn Pin	2
Not Shown	419-120	HARDWARE - 1 Orange Free Play Gain Rubber Band	1
Not Shown	419-122A	HARDWARE - Banjo Bleeder Bolt - 10MM	1
60	442-002	EXP ADJUSTMENT SPRING EXP - Medium (Red)	3
Not Shown	442-002	EXP ADJUSTMENT SPRING EXP - Medium (Red)	3
60.1	442-003	EXP ADJUSTMENT SPRING EXP - Heavy (Blue)	3
Not Shown	442-003	EXP ADJUSTMENT SPRING EXP - Heavy (Blue)	3

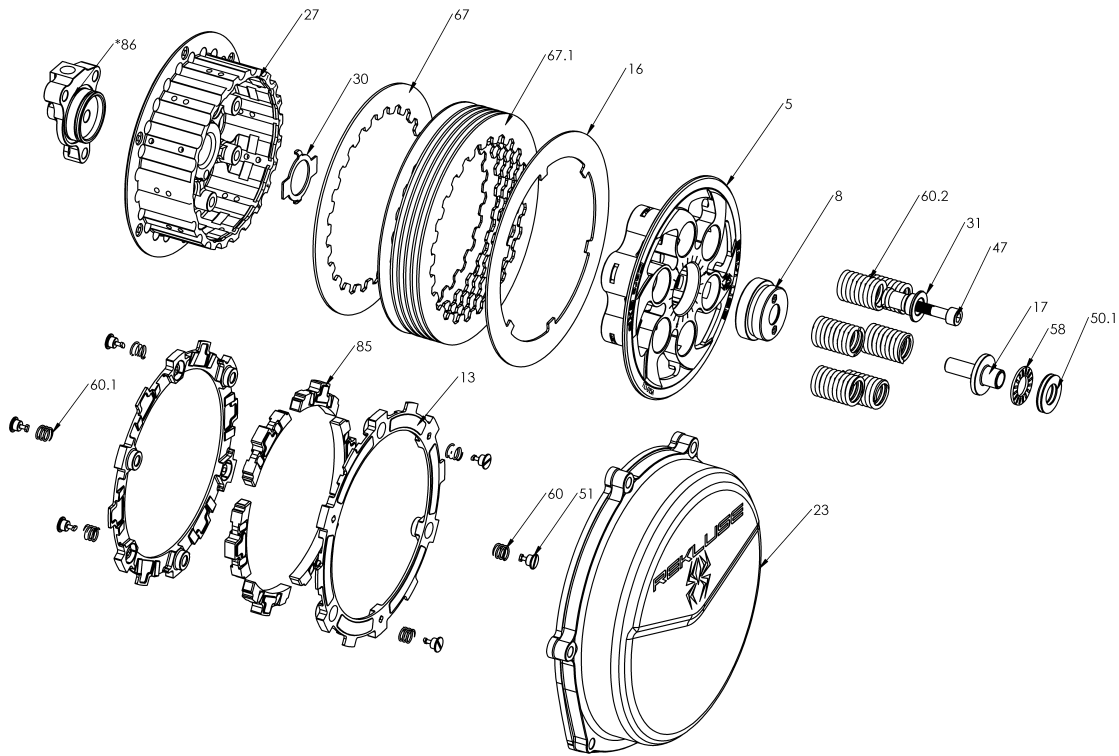
RMS-7723F - CORE EXP 3.0 CLUTCH



**SLAVE CYLINDER ASSEMBLY FICHE CAN BE VIEWED SEPARATELY.
REBUILD KIT ALSO AVAILABLE SEPERATELY FROM REKLUSE.*

Item	Part Number	Item Description	Qty
67	465-403B	DRIVE PLATE - 0.040 zSP/Core RMS Y450 Precision	1
67.1	465-603B	DRIVE PLATE - 0.060 zSP/Core RMS Y450 Precision	6
85	741-012B	EXP 3.0 WEDGE ASSEMBLY - H450 - Medium	6
86	742-002D	ADJUSTABLE SLAVE CYLINDER ASSEMBLY - Housing-100, Pist	1
28	180-100A	SLAVE CYLINDER HOUSING-KT250-KT300 2 Stroke Adjustabl	1
28.1	180-107	SLAVE CYLINDER ADJUSTER - Screw, M6x7mm	1
28.2	180-208A	SLAVE CYLINDER PISTON - DIV 1.5	1
50	414-230	HARDWARE - Crush Washers: 10mm	2
53.1	418-804	HARDWARE - 021 EPDM X Ring Black	1
53.2	418-907	HARDWARE - 011 EPDM O-ring	2
53.3	418-915A	HARDWARE - BUNA O-ring, size 30mmID x 1.5mmW, Black	1
53.4	418-917A	HARDWARE - 1.5x24mm Viton O-ring, 75Dur	1
Not Show	419-104	HARDWARE - 15 in L X 1/4OD. X .17ID. Clear Vinyl Tube	1
55	420-301A	GASKET - Slave Cylinder - Mag,Form - fits 180-100,-112,-119	1
56	431-304	BALL BEARING - 1/4in Chrome Steel Ball	1

RMS-7723F - CORE EXP 3.0 CLUTCH



**SLAVE CYLINDER ASSEMBLY FICHE CAN BE VIEWED SEPARATELY.
REBUILD KIT ALSO AVAILABLE SEPERATELY FROM REKLUSE.*

Item	Part Number	Item Description	Qty
87	743-007	THROW-OUT ASSEMBLY - CORE & CORE EXP BETA	1
17	151-023A	THROW-OUT - Beta 450	1
50.1	414-130	HARDWARE - 1/2 Flat Throwout Washer	2
58	433-302	THRUST BEARING - 1/2 Throwout Needle Thrust Bearing TC	1
88	744-050	CORE CLUTCH SPRING KIT - 450 - Heavy (Blue) with 35mm b	1
31	184-101B	HARDWARE - EXP Screw Sleeve	6
47	411-140	FASTENER - M6-1 x 35mm Thermal Black Socket Cap Screw	6
60.2	442-102	PRESSURE PLATE SPRING - 450 Class Bikes Heavy Blue	6