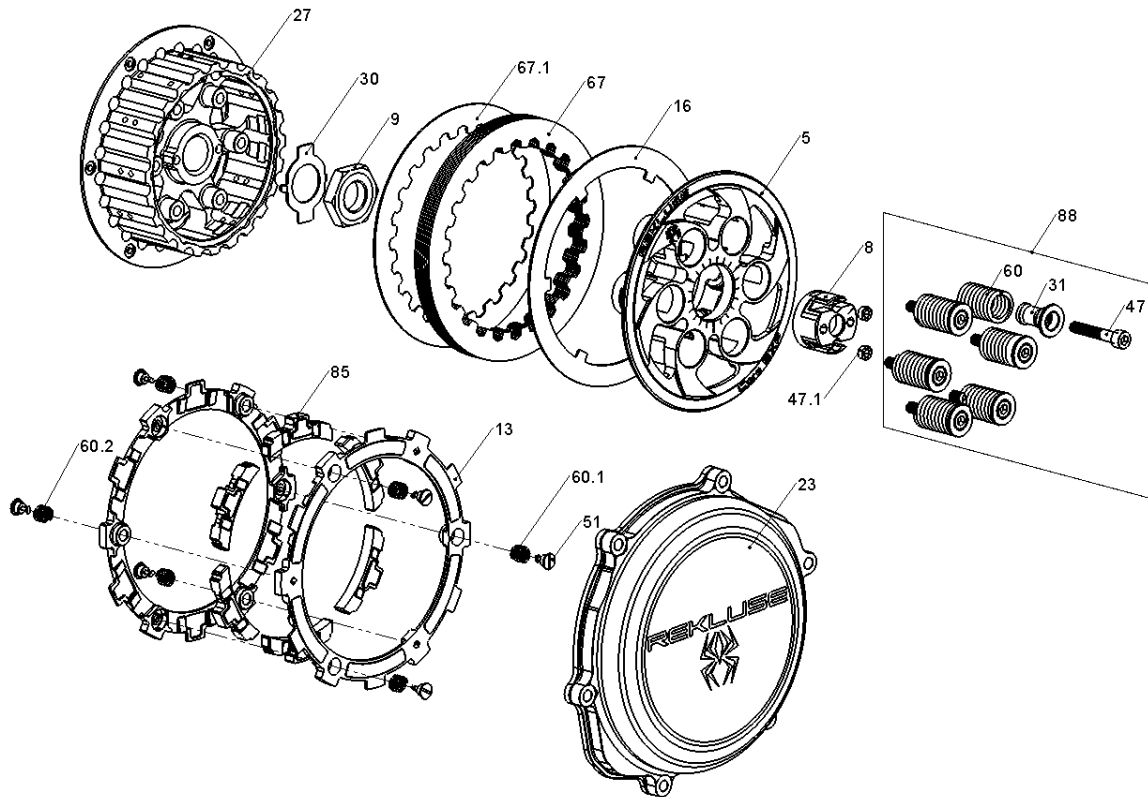
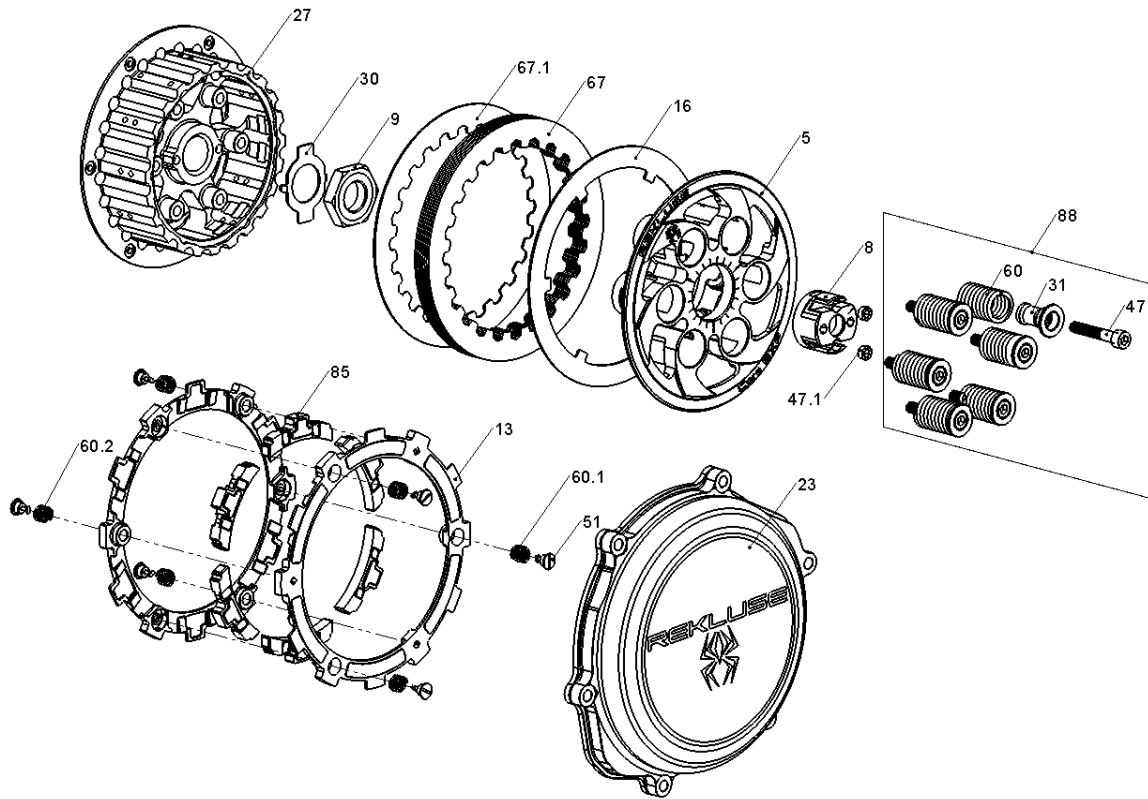


RMS-7715E - CORE EXP 3.0 CLUTCH



Item	Part Number	Item Description	Qty
5	113-015A	PRESSURE PLATE - Core EXP 3.0 - 450 Class	1
8	116-813A	PRESSURE PLATE ADJUSTER - CORE EXP - H450	1
9	117-001	CENTER CLUTCH NUT - H450	1
13	140-210B	EXP 3.0 BASE - H450	2
16	143-016A	LINING PLATE - H450 K450 EXP 3.0	1
23	169-915A	CLUTCH COVER - H450	1
27	178-005C	CENTER CLUTCH - CORE EXP/CORE MANUAL - H450	1
30	183-001A	HARDWARE - Core 450 Center Clutch Tab Lock Washer	1
47.1	411-161A	HARDWARE - 1/16 in NPTF Steel Socket Head Pipe Plug 7/8 i	2
Not Shown	414-709A	HARDWARE - Flat Washer M8 x 24mmOD x 2mm Thick	1
Not Shown	415-000	FASTENER - Quarter Turn Pin	2
51	415-000	FASTENER - Quarter Turn Pin	6
Not Shown	418-301B	HARDWARE - Clutch Cover O-Ring Cord-Viton - 25in long	1
Not Shown	419-121	HARDWARE - 0.5 Black Free Play Gain Rubber Band	1
60.1	442-002	EXP ADJUSTMENT SPRING EXP - Medium (Red)	3

RMS-7715E - CORE EXP 3.0 CLUTCH



Item	Part Number	Item Description	Qty
Not Shown	442-002	EXP ADJUSTMENT SPRING EXP - Medium (Red)	3
60.2	442-003	EXP ADJUSTMENT SPRING EXP - Heavy (Blue)	3
Not Shown	442-003	EXP ADJUSTMENT SPRING EXP - Heavy (Blue)	3
Not Shown	442-004	EXP ADJUSTMENT SPRING EXP - Super Heavy (Gold)	3
67.1	465-401B	DRIVE PLATE - 0.040 zSP/Core RMS H450 Precision	1
67	465-601B	DRIVE PLATE - 0.060 zSPCore RMS H450 Precision	7
85	741-012B	EXP 3.0 WEDGE ASSEMBLY - H450 - Medium	6
88	744-020	CORE CLUTCH SPRING KIT - 450 - Heavy (Blue)	1
31	184-101B	HARDWARE - EXP Screw Sleeve	6
47	411-135	FASTENER - M6 x 40mm Socket Head Cap Screw	6
60	442-102	PRESSURE PLATE SPRING - 450 Class Bikes Heavy Blue	6