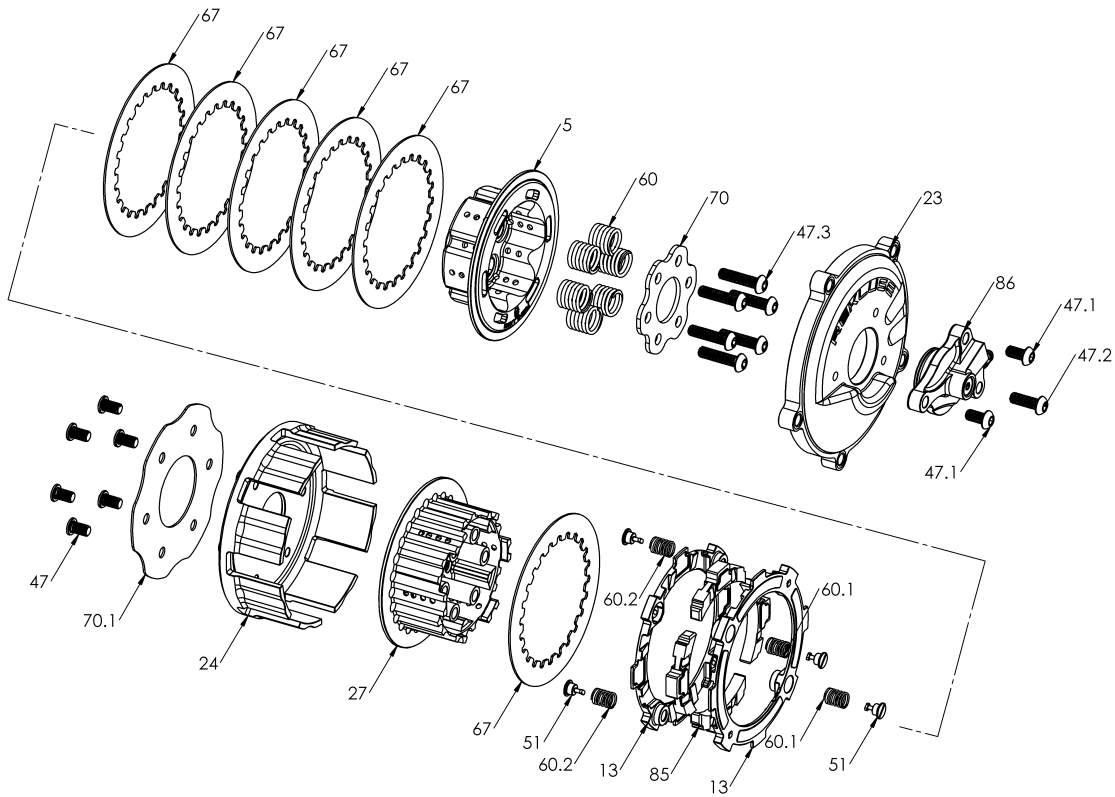
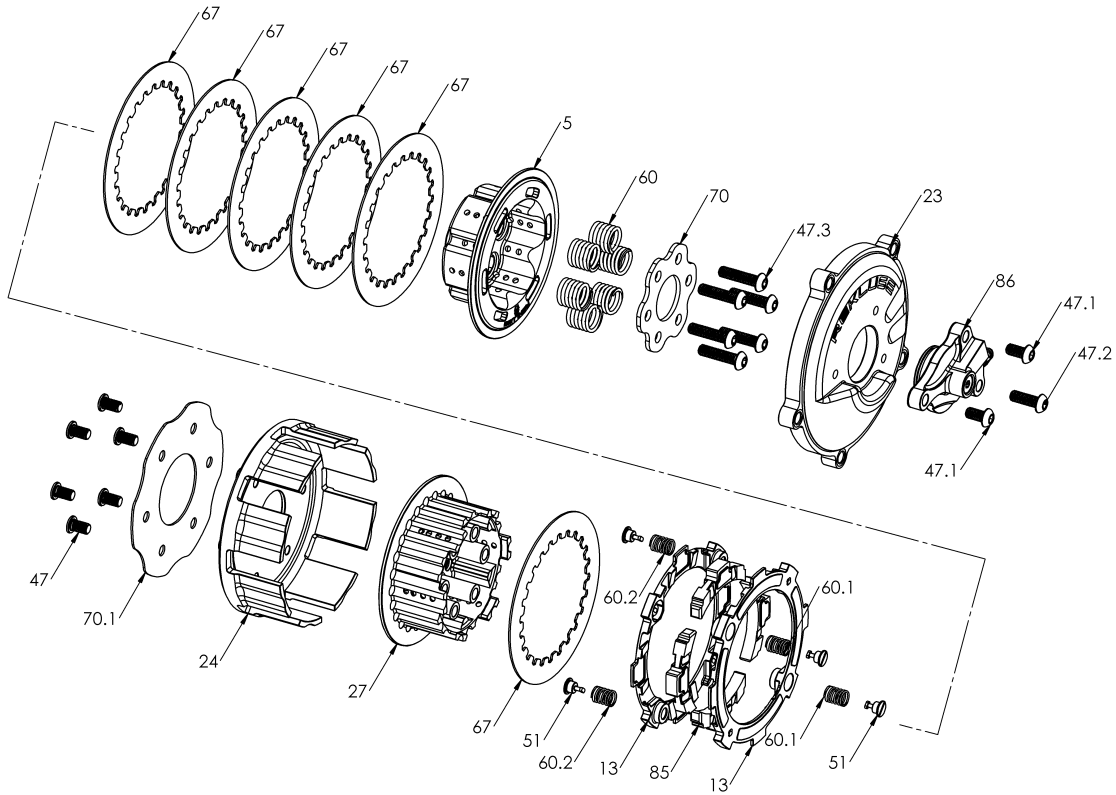


RMS-7703B - CORE EXP 3.0 CLUTCH



Item	Part Number	Item Description	Qty
5	113-022B	PRESSURE PLATE - Core - KX65	1
13	140-233C	EXP 3.0 BASE - KT65	2
23	169-903A	CLUTCH COVER - Cobra 65	1
24	170-007A	CLUTCH BASKET - Cobra 65	1
27	178-046B	CENTER CLUTCH - CORE - KX65	1
47	411-125	FASTENER - M6 x 10 Super Low Head Socket Head Cap Scre	6
47.1	411-162A	FASTENER - M6 x 1.0 x 12mm Button Head Hex Screw, Stainl	2
47.2	411-180B	FASTENER - M6 x 1. x 18mm Button-Head Allen Screw, Zinc-	1
47.3	411-181A	FASTENER - M6 x 1.0 x 25mm Button-Head Hex Socket Scre	6
Not Shown	415-000	FASTENER - Quarter Turn Pin	2
51	415-000	FASTENER - Quarter Turn Pin	4
Not Shown	419-121	HARDWARE - 0.5 Black Free Play Gain Rubber Band	1
Not Shown	442-002	EXP ADJUSTMENT SPRING EXP - Red	2
60.1	442-002	EXP ADJUSTMENT SPRING EXP - Red	2
60.1	442-003	EXP ADJUSTMENT SPRING EXP - Blue	2

RMS-7703B - CORE EXP 3.0 CLUTCH



Item	Part Number	Item Description	Qty
Not Shown	442-003	EXP ADJUSTMENT SPRING EXP - Blue	2
60	442-128B	PRESSURE PLATE SPRING - KX, RM, CX 65 - GREEN STRIPE	6
67	465-414A	DRIVE PLATE - 0.040 CORE - KT65	6
70	471-010A	SPRING PUSH PLATE - Cobra CX65 (.094in)	1
70.1	471-011A	BASKET BACKING PLATE- KX, CX65 (.042in)	1
Not Shown	471-114	DRILL - 1/4 SM Drill BIT	1
Not Shown	491-001	ADHESIVE - Loctite 243 .02 fl oz	1
85	741-027A	EXP 3.0 WEDGE ASSEMBLY - KT65 - Heavy	4
86	742-019E	ADJUSTABLE SLAVE ASSEMBLY - Housing-120, Piston-208,	1