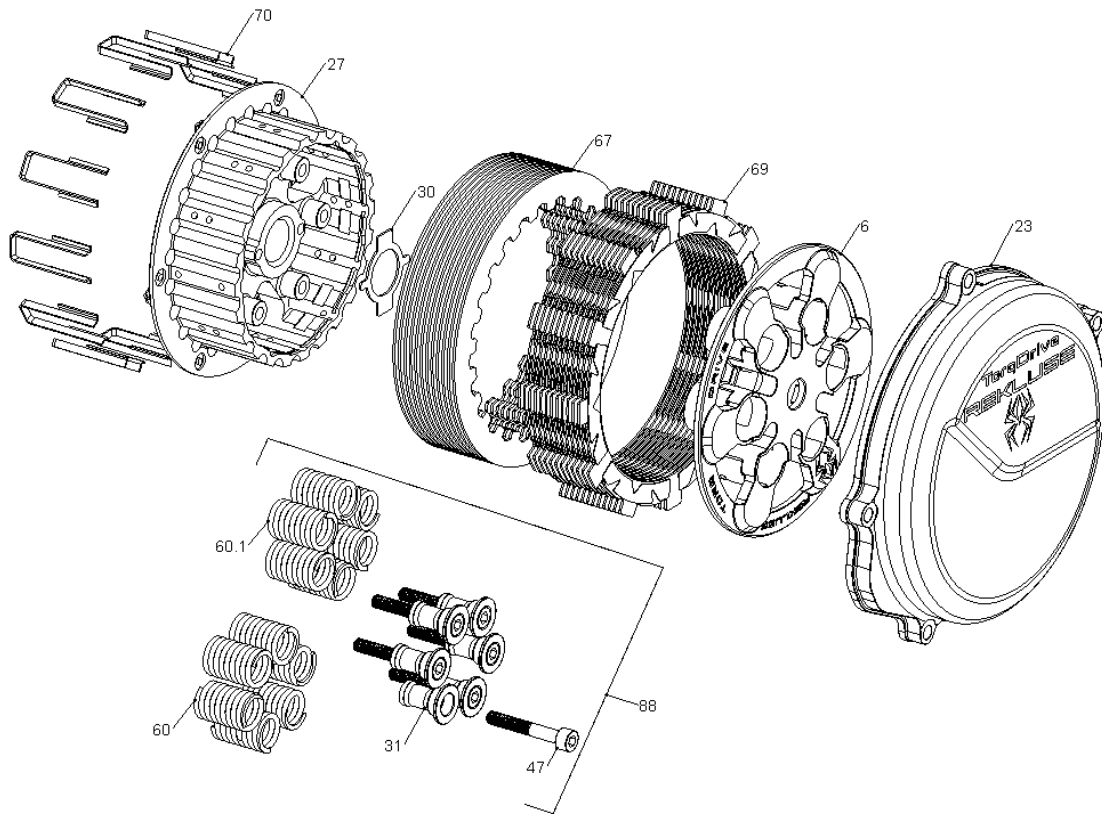


RMS-7174B - CORE MANUAL TORQ-DRIVE CLUTCH



Item	Part Number	Item Description	Qty
6	114-173A	PRESSURE PLATE - Torq Drive - YZ450F; 07-09 WR450F	1
23	169-773A	CLUTCH COVER - TorqDrive - YZ450F (05-09), WR450F, YFZ4	1
27	178-007E	CENTER CLUTCH - CORE EXP/CORE MANUAL - YZ450F	1
30	183-001A	HARDWARE - Core 450 Center Clutch Tab Lock Washer	1
67	465-483B	DRIVE PLATE - 0.048 zSP/Core RMS Y450 Precision	12
69	469-302A	FRICITION DISK - Y450 TORQ-DRIVE	12
70	471-300	BASKET SLEEVE - Dirt Bikes	12
88	744-005A	TORQ DRIVE SPRING KIT - 450	1
31	184-101B	HARDWARE - EXP Screw Sleeve	6
47	411-135	FASTENER - M6 x 40mm Socket Head Cap Screw	6
60	442-101	PRESSURE PLATE SPRING - 450 Class Bikes Medium Red (incl	6
60.1	442-104	PRESSURE PLATE SPRING - 250 Class Bikes Heavy Gold	6