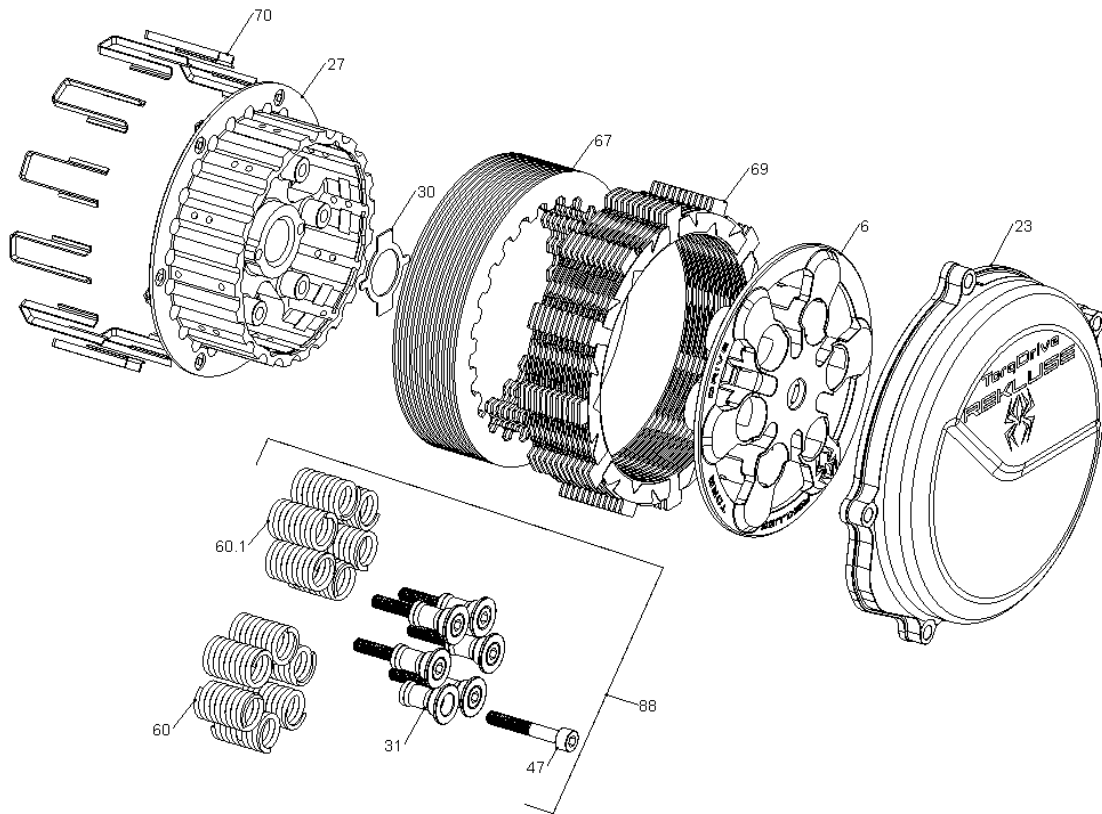


# RMS-7164B - CORE MANUAL TORQ-DRIVE CLUTCH



Item	Part Number	Item Description	Qty
6	114-164A	PRESSURE PLATE - Torq Drive - RMZ450	1
Not Shown	117-005	CENTER CLUTCH NUT - S250	1
23	169-764B	CLUTCH COVER - TorqDrive - RMZ450 (08+)	1
27	178-018D	CENTER CLUTCH - CORE EXP/CORE MANUAL - S450	1
Not Shown	183-001A	HARDWARE - Core 450 Center Clutch Tab Lock Washer	1
Not Shown	411-127	FASTENER - 6mm stainless Steel button head socket - 8 mm	1
50	414-137	HARDWARE - M6 Copper Washer	1
67	465-487B	DRIVE PLATE - 0.048 zSP Core RMS S450 Precision	12
69	469-303A	FRICITION DISK - S450 TORQ-DRIVE	12
70	471-300	BASKET SLEEVE - Dirt Bikes	12
88	744-005A	TORQ DRIVE SPRING KIT - 450	1
31	184-101B	HARDWARE - EXP Screw Sleeve	6
47	411-135	FASTENER - M6 x 40mm Socket Head Cap Screw	6
60	442-101	PRESSURE PLATE SPRING - 450 Class Bikes Medium Red (incl	6
60.1	442-104	PRESSURE PLATE SPRING - 250 Class Bikes Heavy Gold	6