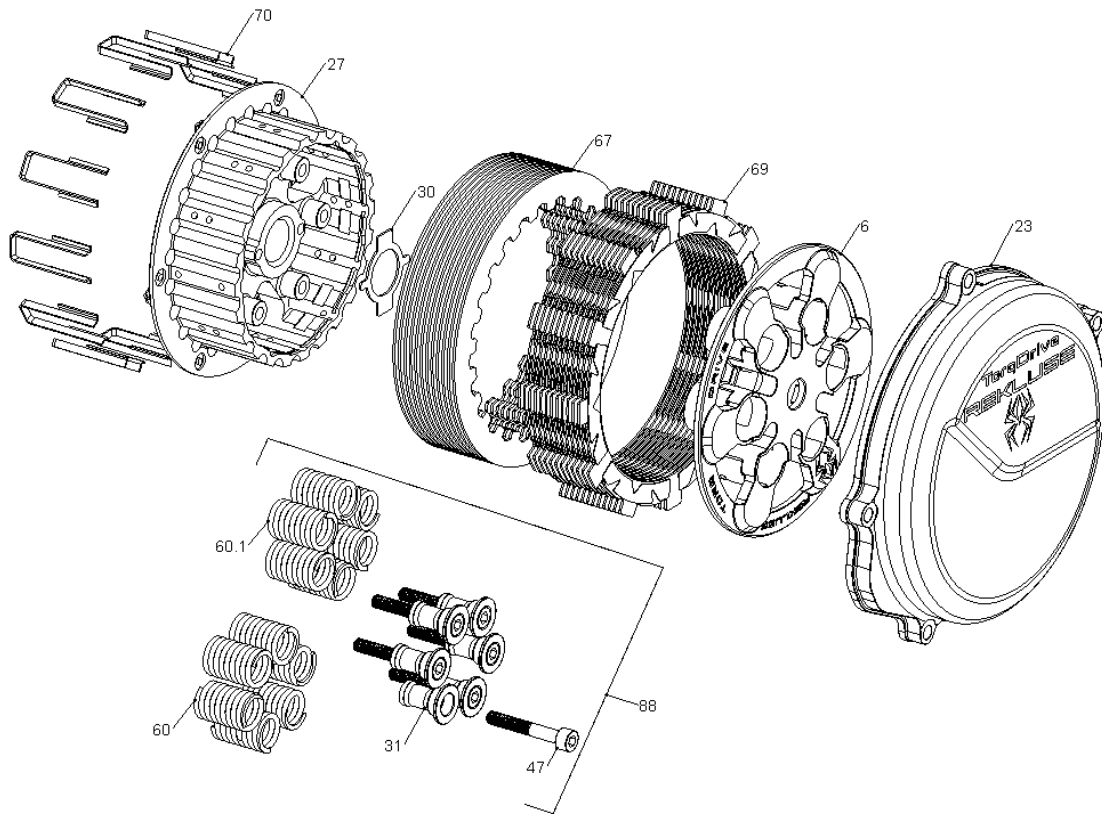


# RMS-7144B - CORE MANUAL TORQ-DRIVE CLUTCH



Item	Part Number	Item Description	Qty
6	114-145A	PRESSURE PLATE - Torq Drive - CRF450X/KX450F/KLX450	1
Not Shown	117-003	CENTER CLUTCH NUT - Y450	1
23	169-744A	CLUTCH COVER - TorqDrive - K450 (16+)	1
27	178-008C	CENTER CLUTCH - CORE EXP/CORE MANUAL - K450	1
30	183-001A	HARDWARE - Core 450 Center Clutch Tab Lock Washer	1
67	465-481B	DRIVE PLATE - 0.048 zSP/Core RMS H450 Precision	12
69	469-301A	FRICTION DISK - H450 TORQ-DRIVE	12
70	471-300	BASKET SLEEVE - Dirt Bikes	12
88	744-005A	TORQ DRIVE SPRING KIT - 450	1
31	184-101B	HARDWARE - EXP Screw Sleeve	6
47	411-135	FASTENER - M6 x 40mm Socket Head Cap Screw	6
60	442-101	PRESSURE PLATE SPRING - 450 Class Bikes Medium Red (incl	6
60.1	442-104	PRESSURE PLATE SPRING - 250 Class Bikes Heavy Gold	6