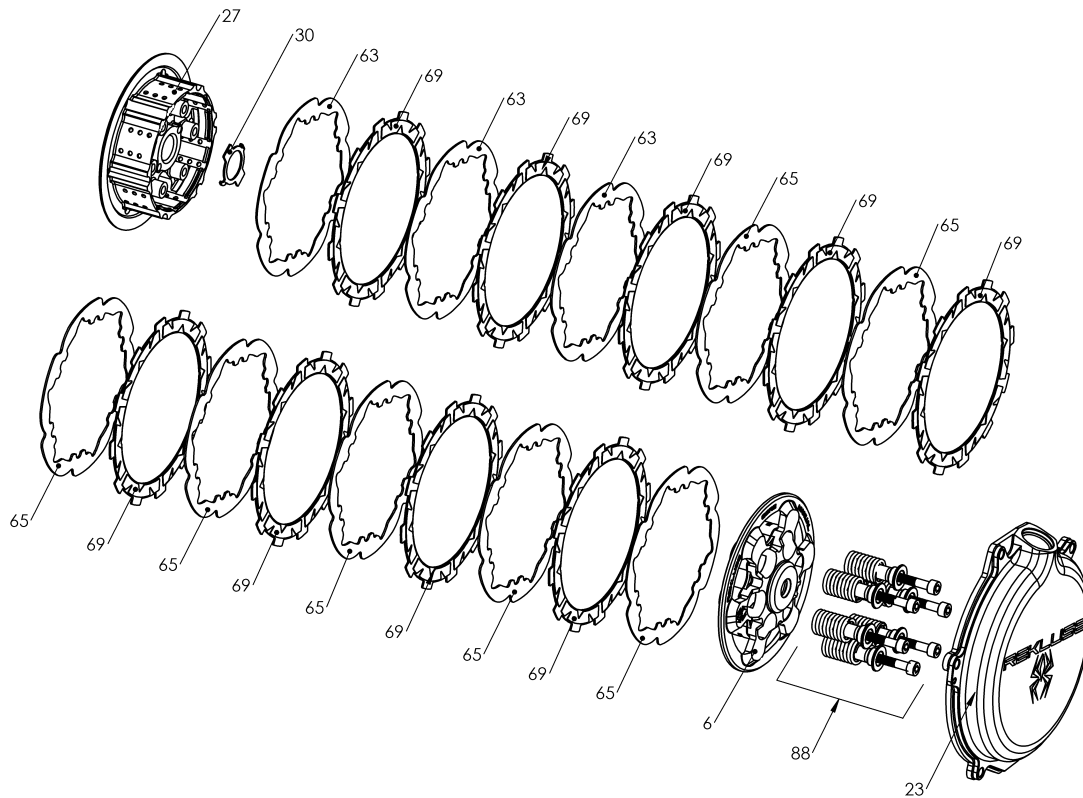


RMS-7113088B - CORE MANUAL TORQ-DRIVE CLUTCH



Item	Part Number	Item Description	Qty
6	114-088A	PRESSURE PLATE - Core Manual - KTM 250F,350F CSS	1
23	169-935C	CLUTCH COVER - KT350	1
27	178-038D	CENTER CLUTCH - CORE EXP/CORE MANUAL - KTM 250F,35	1
30	183-002	HARDWARE - Core Center Clutch Tab Lock Washer 27mm	1
63	460-710A	DRIVE PLATE - 0.040 TEC 2 - KT 6-pin	3
65	462-710A	DRIVE PLATE - 0.048 TEC 2 - KT 6-pin	7
69	469-536A	FRICITION DISK - KT350 TORQ-DRIVE - 2-Segment Pads	9
88	744-010	CORE CLUTCH SPRING KIT - 450 - Medium (Red)	1
31	184-101B	HARDWARE - EXP Screw Sleeve	6
47	411-135	FASTENER - M6 x 40mm Socket Head Cap Screw	6
60	442-101	PRESSURE PLATE SPRING - 450 Class Bikes Medium Red (incl	6
Not Shown	821-013A	Prop. 65 Warning Label	1