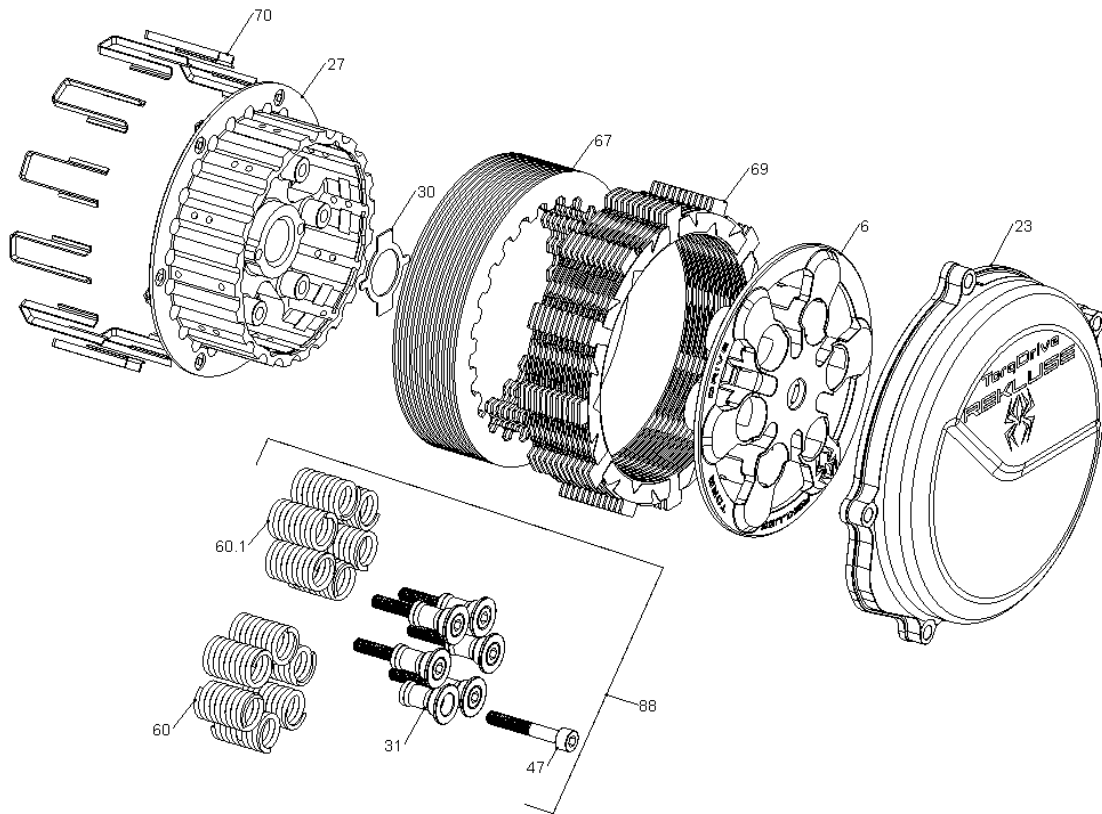


# RMS-7110B - CORE MANUAL TORQ-DRIVE CLUTCH



Item	Part Number	Item Description	Qty
6	114-110A	PRESSURE PLATE - Torq Drive - 13-16 CRF450R	1
23	169-714A	CLUTCH COVER - TorqDrive - CRF450R (09+)	1
27	178-017B	CENTER CLUTCH - CORE EXP/CORE MANUAL - H450	1
30	183-004A	HARDWARE - Core Center Clutch Tab Lock Washer 27mm S	1
Not Shown	418-301B	HARDWARE - Clutch Cover O-Ring Cord-Viton - 25in long	1
67	465-481B	DRIVE PLATE - 0.048 zSP/Core RMS H450 Precision	12
69	469-301A	FRICITION DISK - H450 TORQ-DRIVE	12
70	471-300	BASKET SLEEVE - Dirt Bikes	12
88	744-005A	TORQ DRIVE SPRING KIT - 450	1
31	184-101B	HARDWARE - EXP Screw Sleeve	6
47	411-135	FASTENER - M6 x 40mm Socket Head Cap Screw	6
60	442-101	PRESSURE PLATE SPRING - 450 Class Bikes Medium Red (incl	6
60.1	442-104	PRESSURE PLATE SPRING - 250 Class Bikes Heavy Gold	6