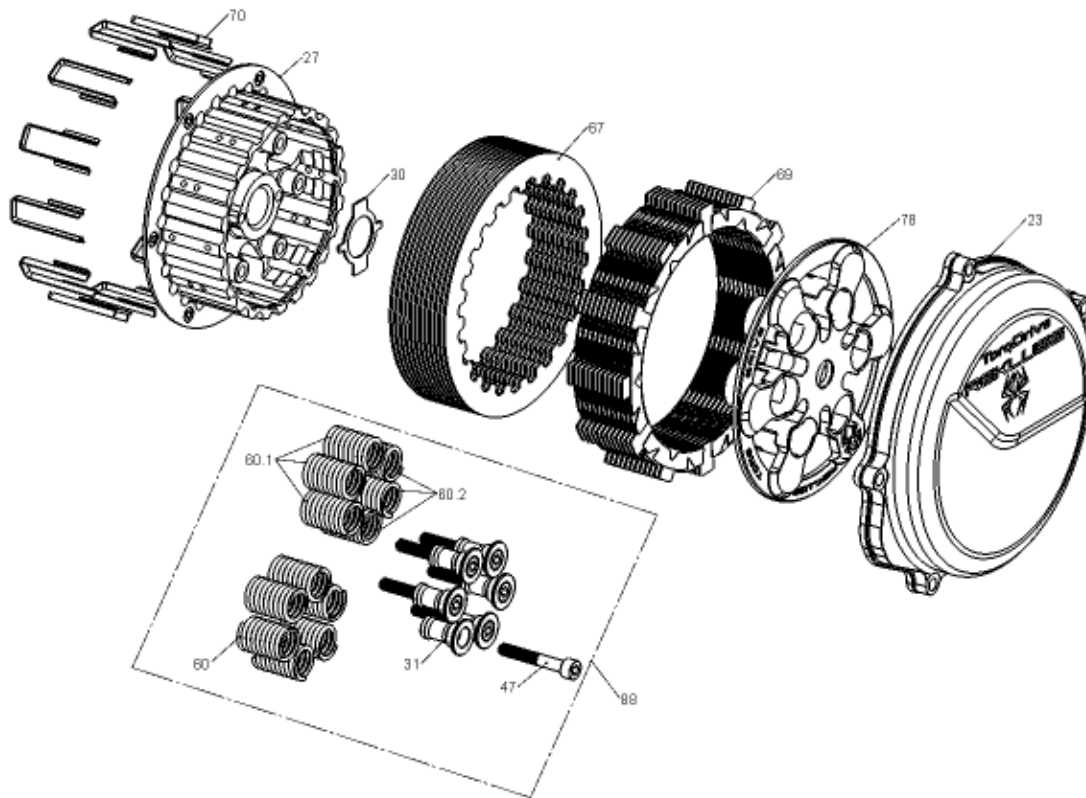


# RMS-7107002A - CORE MANUAL TORQ-DRIVE CLUTCH



Item	Part Number	Item Description	Qty
6	114-226A	PRESSURE PLATE - Torqdrive PP 12 Pin -19+ YZ250F COIL SP	1
23	169-7002A	CLUTCH COVER - TorqDrive - YZ250F (19+)	1
27	178-127A	CENTER CLUTCH HUB - Core - 19YZ250F	1
30	183-005A	HARDWARE - Torqdrive Pin Clutch Tab Lock Washer 32mm	1
63	460-501A	DRIVE PLATE - 0.040 Core RMS 250F L-ID	13
69	469-305A	FRICTION DISK - K250 TORQ-DRIVE	12
70	471-309A	BASKET SLEEVE - H1.55 - W.10 - 4S	12
88	744-008A	TORQ DRIVE SPRING KIT - 450 - (3 Silver, 6 Gold, 3 Red)	1
31	184-101B	HARDWARE - EXP Screw Sleeve	6
47	411-135	FASTENER - M6 x 40mm Socket Head Cap Screw	6
60	442-101	PRESSURE PLATE SPRING - 450 Class Bikes Medium Red (incl	3
60.1	442-103	PRESSURE PLATE SPRING - 250 Class Bikes Medium Silver	3
60.2	442-104	PRESSURE PLATE SPRING - 250 Class Bikes Heavy Gold	6
Not Shown	821-013A	Prop. 65 Warning Label	1