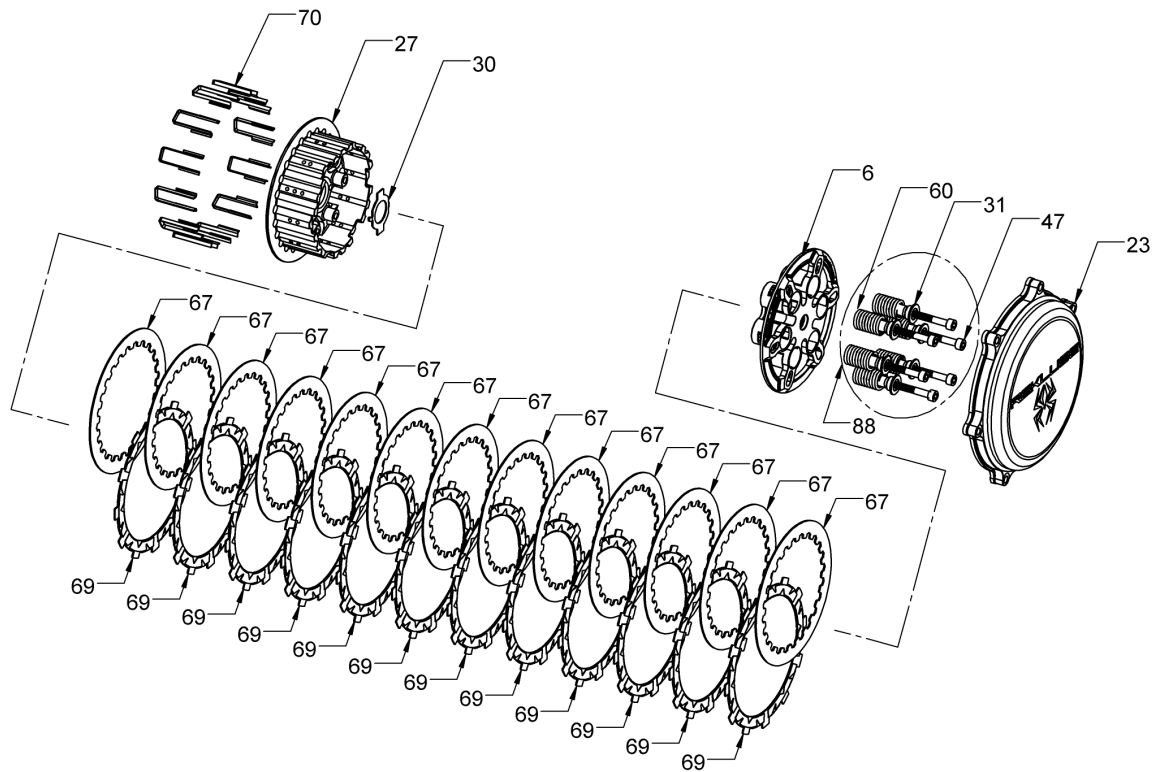


# RMS-7104046A - CORE MANUAL TORQ-DRIVE CLUTCH



Item	Part Number	Item Description	Qty
6	114-146A	PRESSURE PLATE - TorqDrive - K450 (2019)	1
23	169-746A	CLUTCH COVER - TorqDrive - K450 (19+)	1
27	178-146A	CENTER CLUTCH HUB - RadiusCX/Core - 19+ K450	1
30	183-001A	HARDWARE - Core 450 Center Clutch Tab Lock Washer	1
67	465-481B	DRIVE PLATE - 0.048 zSP/Core RMS H450 Precision	13
69	469-331A	FRICTION DISK - H450 TORQ-DRIVE - 2-Segment Pads	12
70	471-300	BASKET SLEEVE - H1.63 - 4S	12
88	744-005A	TORQ DRIVE SPRING KIT - 450	1
31	184-101B	HARDWARE - EXP Screw Sleeve	6
47	411-135	FASTENER - M6 x 40mm Socket Head Cap Screw	6
60	442-101	PRESSURE PLATE SPRING - 450 Class Bikes Medium Red (incl	6
60.1	442-104	PRESSURE PLATE SPRING - 250 Class Bikes Heavy Gold	6
Not Shown	821-013A	Prop. 65 Warning Label	1