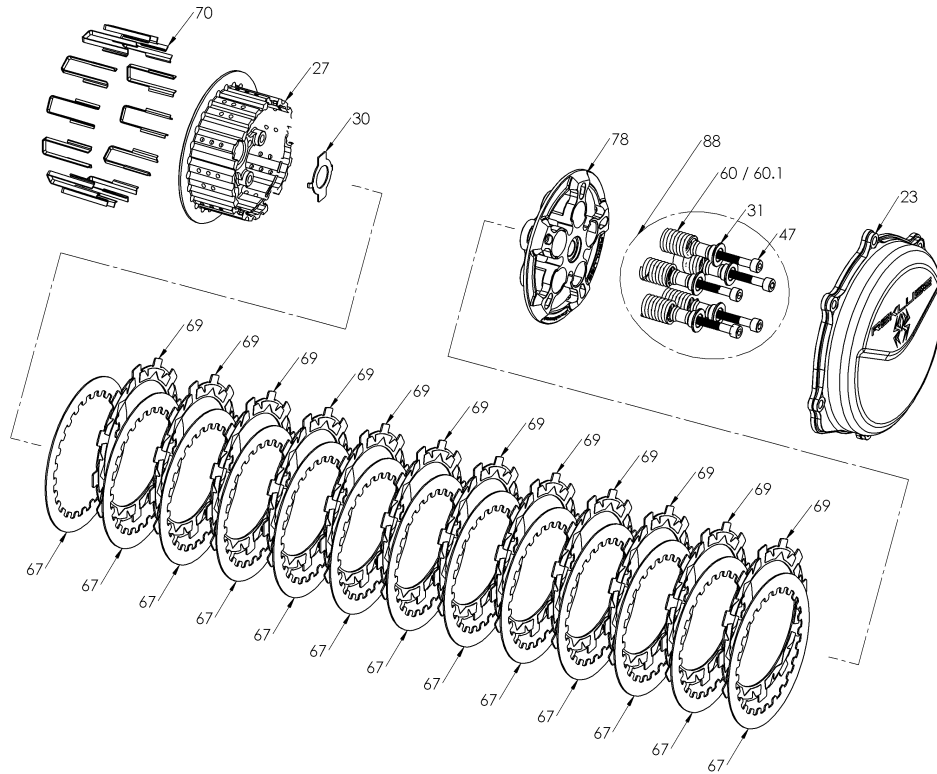


RMS-7101001B - CORE MANUAL TORQ-DRIVE CLUTCH



Item	Part Number	Item Description	Qty
23	169-705A	CLUTCH COVER - TorqDrive,RadiusCX - 18+ Honda CRF250R	1
27	178-121A	CENTER CLUTCH HUB - Core - 10 H250	1
30	183-004A	HARDWARE - Core Center Clutch Tab Lock Washer 27mm S	1
Not Shown	418-301B	HARDWARE - Clutch Cover O-Ring Cord-Viton - 25in long	1
67	465-400B	DRIVE PLATE - 0.040 Core RMS TC250 Precision	13
69	469-304A	FRICITION DISK - H250 TORQ-DRIVE	12
70	471-304B	BASKET SLEEVE - H1.45 - 4S	12
78	710-253A	PRESSURE PLATE ASSEMBLY - CoreManual - CRF250R (18+)	1
88	744-006A	TORQ DRIVE SPRING KIT - 250	1
31	184-101B	HARDWARE - EXP Screw Sleeve	5
47	411-140	FASTENER - M6-1 x 35mm Thermal Black Socket Cap Screw	5
60	442-103	PRESSURE PLATE SPRING - 250 Class Bikes Medium Silver	5
60.1	442-104	PRESSURE PLATE SPRING - 250 Class Bikes Heavy Gold	5