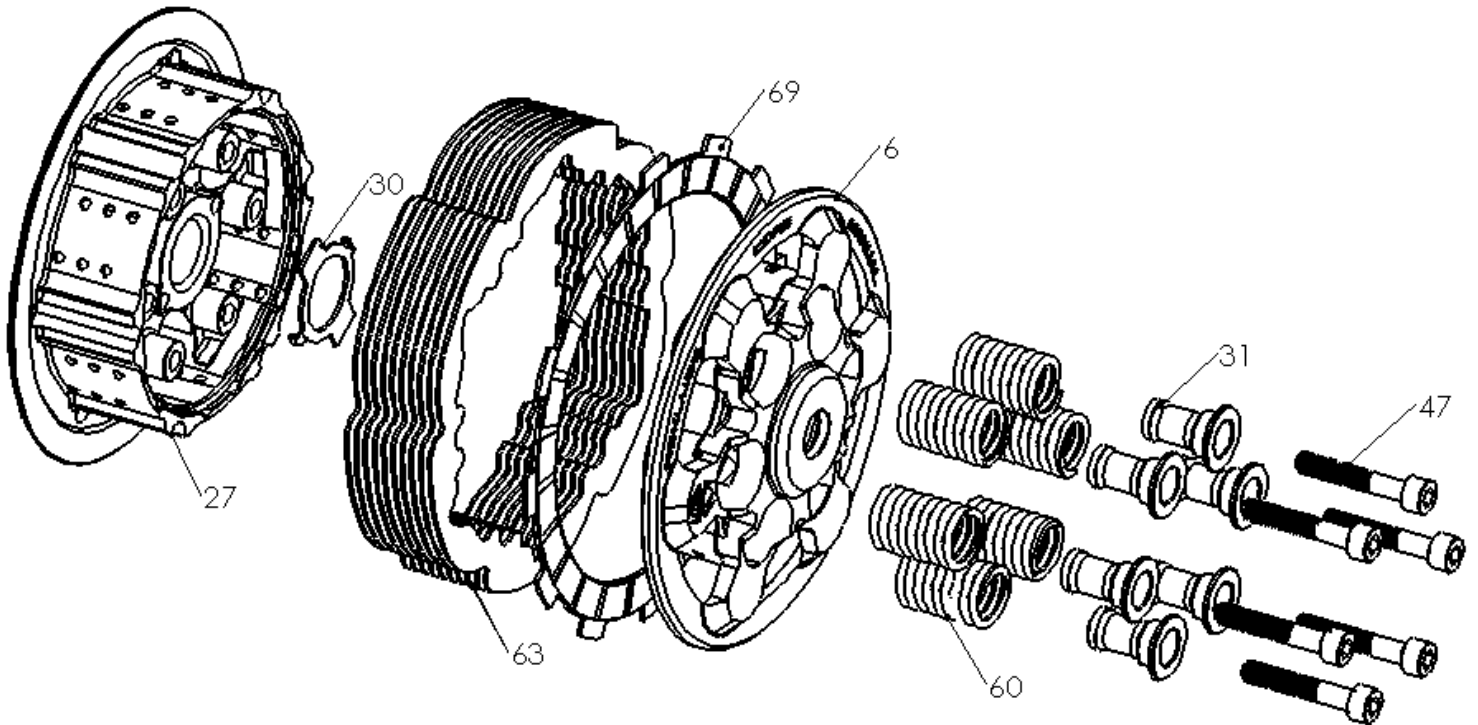


RMS-7088C - CORE MANUAL CLUTCH



Item	Part Number	Item Description	Qty
6	114-088A	PRESSURE PLATE - Core Manual - KTM 250F,350F CSS	1
27	178-038D	CENTER CLUTCH - CORE EXP/CORE MANUAL - KTM 250F,35	1
30	183-002	HARDWARE - Core Center Clutch Tab Lock Washer 27mm	1
63	460-710A	DRIVE PLATE - 0.040 TEC 2 - KT 6-pin	10
69	469-034B	FRICTION DISK - KTM DDS/CSS	1
88	744-010	CORE CLUTCH SPRING KIT - 450 - Medium (Red)	1
31	184-101B	HARDWARE - EXP Screw Sleeve	6
47	411-135	FASTENER - M6 x 40mm Socket Head Cap Screw	6
60	442-101	PRESSURE PLATE SPRING - 450 Class Bikes Medium Red (incl	6