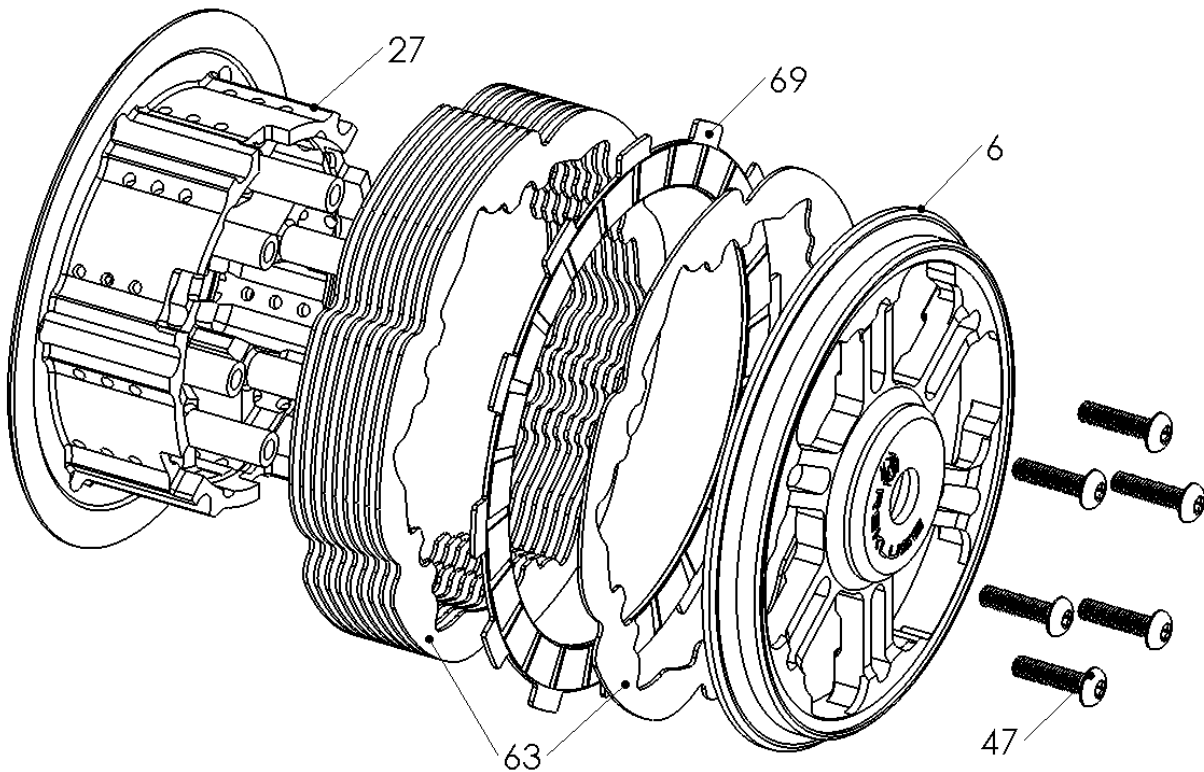


RMS-7082B - CORE MANUAL DDS CLUTCH



Item	Part Number	Item Description	Qty
6	114-020A	PRESSURE PLATE - Core Manual - KTM 450 16+	1
27	178-034D	CENTER CLUTCH - CORE EXP/CORE MANUAL - KTM 350/450	1
47	411-154A	FASTENER - M5 x 20 Button-Head T-25 Torx Screw 10.9	6
Not Shown	411-906	HARDWARE - T-25 Torx Bit	1
63	460-710A	DRIVE PLATE - 0.040 TEC 2 - KT 6-pin	10
69	469-034B	FRICION DISK - KTM DDS/CSS	1