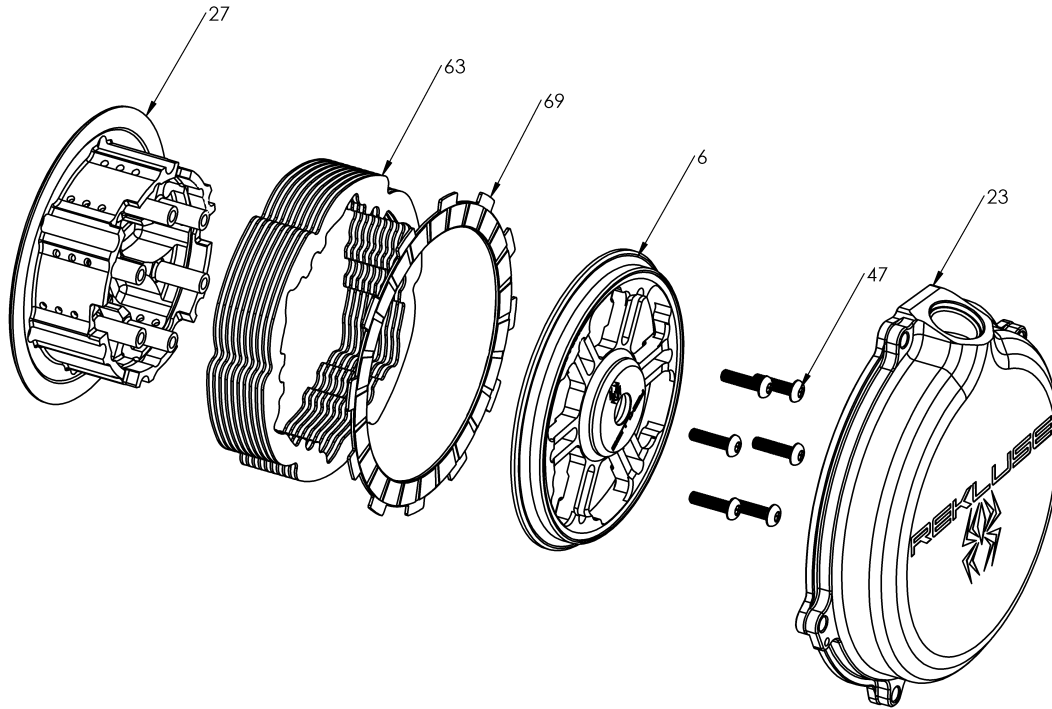


# RMS-7080B - CORE MANUAL DDS CLUTCH



Item	Part Number	Item Description	Qty
6	114-020A	PRESSURE PLATE - Core Manual - KTM 450 16+	1
23	169-980B	CLUTCH COVER - KTM 450/500 16+	1
27	178-034D	CENTER CLUTCH - CORE EXP/CORE MANUAL - KTM 350/450	1
Not Shown	183-008A	HARDWARE - DDS Lock Tab Washer	1
47	411-154A	FASTENER - M5 x 20 Button-Head T-25 Torx Screw 10.9	6
Not Shown	411-906	HARDWARE - T-25 Torx Bit	1
63	460-710A	DRIVE PLATE - 0.040 TEC 2 - KT 6-pin	10
69	469-034B	FRICITION DISK - KTM DDS/CSS	1
Not Shown	821-013A	Prop. 65 Warning Label	1