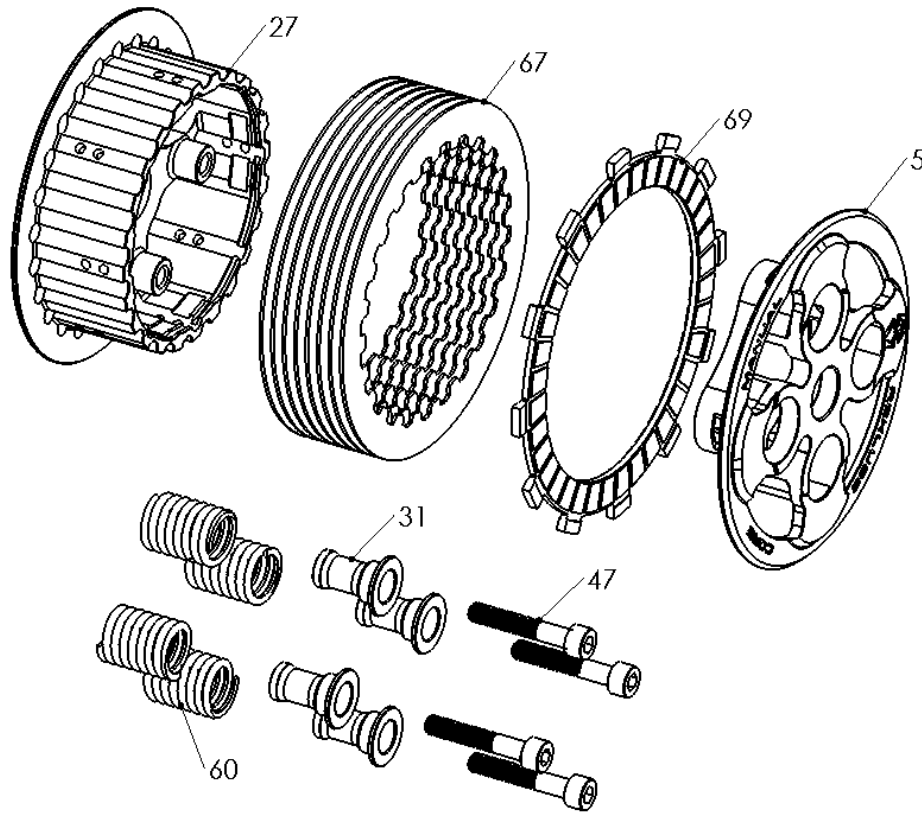


# RMS-7042A - CORE MANUAL CLUTCH



Item	Part Number	Item Description	Qty
6	114-042A	PRESSURE PLATE - Core Manual - KX85	1
27	178-021A	CENTER CLUTCH - CORE EXP/CORE MANUAL - KX80-85-100	1
31	184-101b	HARDWARE - EXP Screw Sleeve	4
47	411-140	FASTENER - M6-1 x 35mm Thermal Black Socket Cap Screw	4
60	442-104	PRESSURE PLATE SPRING - 250 Class Bikes Heavy Gold	4
67	465-405B	DRIVE PLATE - 0.040 zSP RMS H150 Precision	7
69	469-018A	FRICITION DISC - H150	1