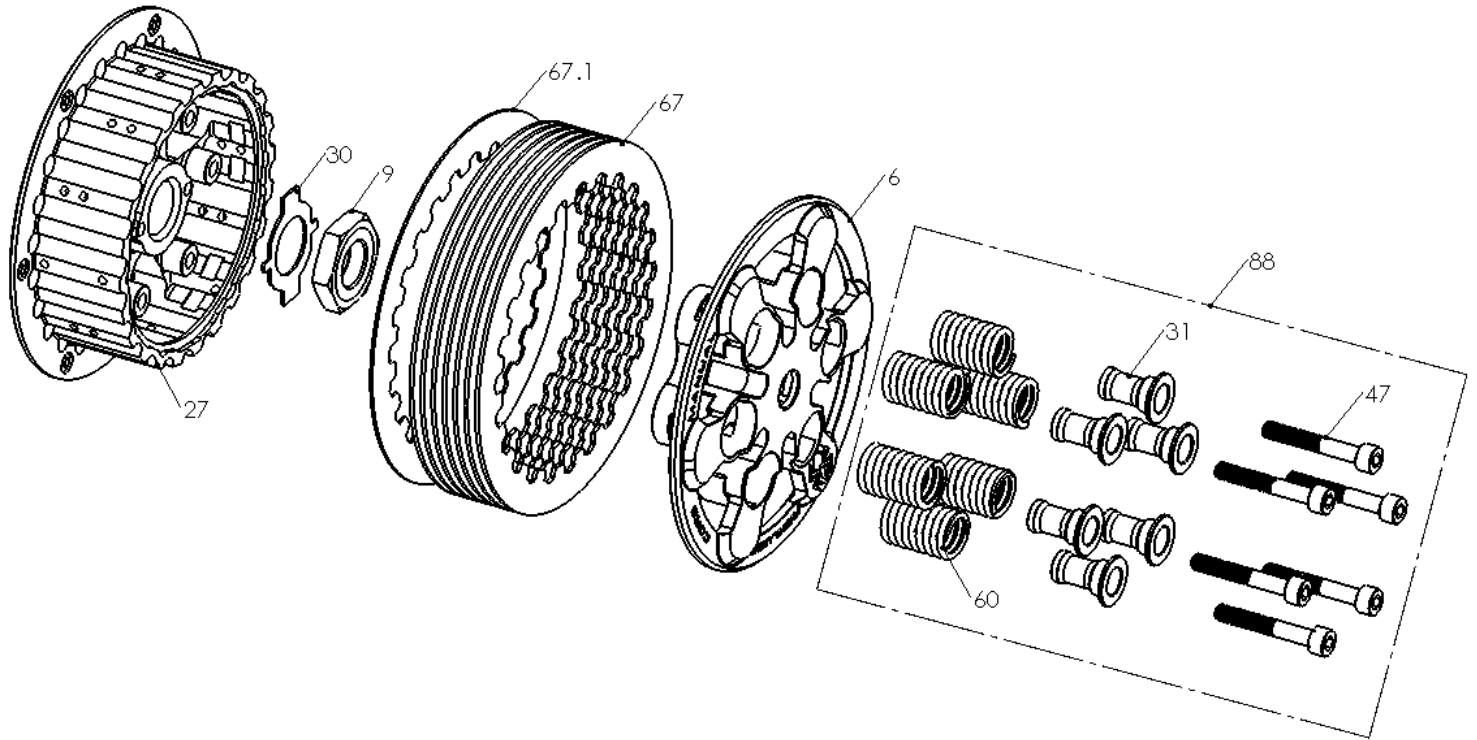


# RMS-7010A - CORE MANUAL CLUTCH



Item	Part Number	Item Description	Qty
6	114-010A	PRESSURE PLATE - Core Manual - 13-16 CRF450R	1
9	117-001	CENTER CLUTCH NUT - H450	1
27	178-017B	CENTER CLUTCH - CORE EXP/CORE MANUAL - H450	1
30	183-001A	HARDWARE - Core 450 Center Clutch Tab Lock Washer	1
67.1	465-401B	DRIVE PLATE - 0.040 zSP/Core RMS H450 Precision	1
67	465-601B	DRIVE PLATE - 0.060 zSPCore RMS H450 Precision	7
88	744-010	CORE CLUTCH SPRING KIT - 450 - Medium (Red)	1
31	184-101B	HARDWARE - EXP Screw Sleeve	6
47	411-135	FASTENER - M6 x 40mm Socket Head Cap Screw	6
60	442-101	PRESSURE PLATE SPRING - 450 Class Bikes Medium Red (incl	6