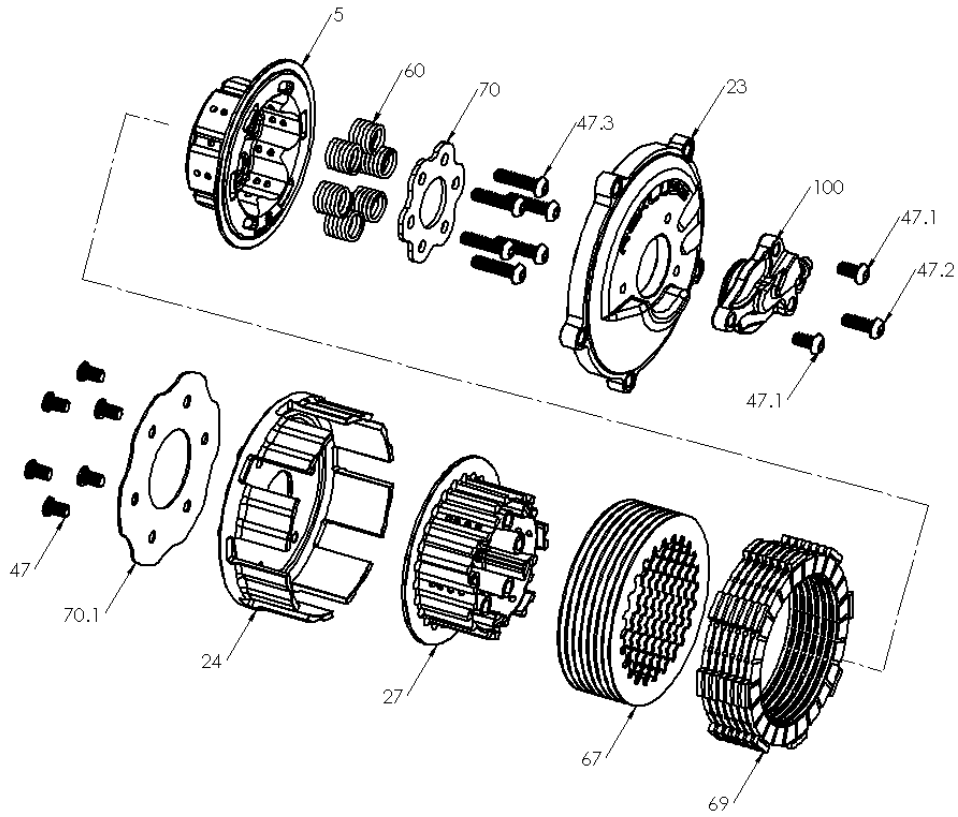
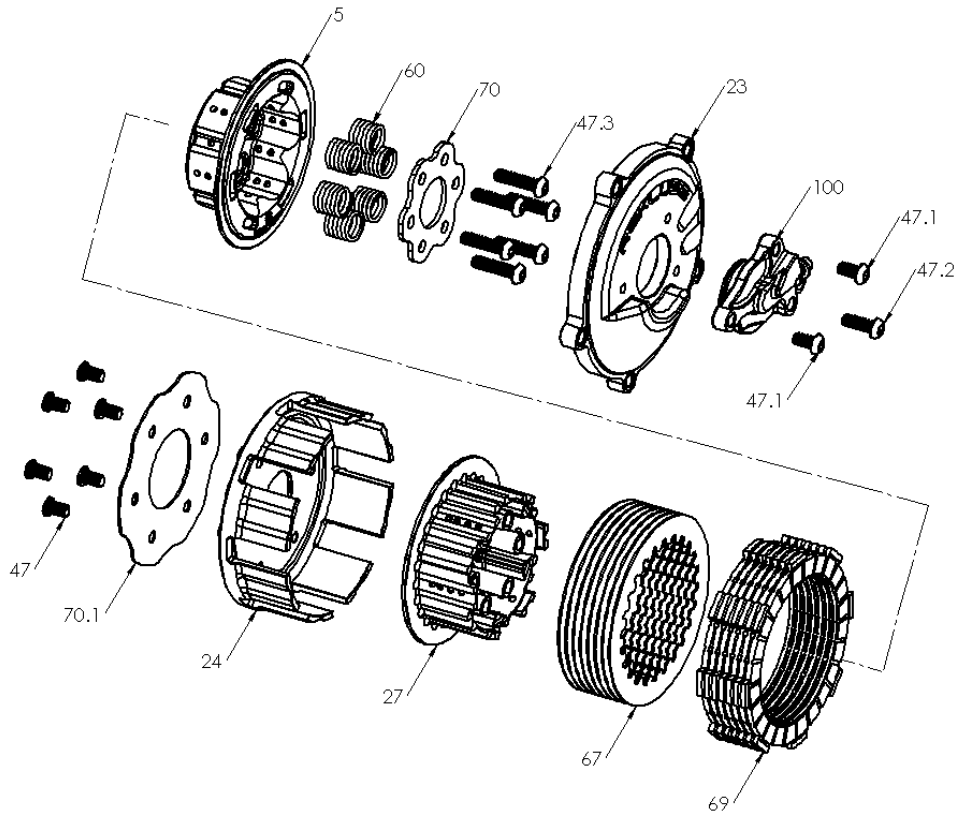


RMS-7003B - CORE MANUAL CLUTCH



Item	Part Number	Item Description	Qty
5	113-022B	PRESSURE PLATE - Core - KX65	1
23	169-903A	CLUTCH COVER - Cobra 65	1
24	170-007A	CLUTCH BASKET - Cobra 65	1
27	178-046B	CENTER CLUTCH - CORE - KX65	1
47	411-125	FASTENER - M6 x 10 Super Low Head Socket Head Cap Scre	6
47.1	411-162A	FASTENER - M6 x 1.0 x 12mm Button Head Hex Screw, Stainl	2
47.2	411-180B	FASTENER - M6 x 1. x 18mm Button-Head Allen Screw, Zinc-	1
47.3	411-181A	FASTENER - M6 x 1.0 x 25mm Button-Head Hex Socket Scre	6
60	442-128B	PRESSURE PLATE SPRING - KX, RM, CX 65 - GREEN STRIPE	6
67	465-414A	DRIVE PLATE - 0.040 CORE - KT65	8
69	469-691	FRICITION DISK - K65 Friction Disks	7
70	471-010A	SPRING PUSH PLATE - Cobra CX65 (.094in)	1
70.1	471-011A	BASKET BACKING PLATE- KX, CX65 (.042in)	1
Not Shown	471-114	DRILL - 1/4 SM Drill BIT	1
Not Shown	491-001	ADHESIVE - Loctite 243 .02 fl oz	1

RMS-7003B - CORE MANUAL CLUTCH



Item	Part Number	Item Description	Qty
100	747-019A	SLAVE CYLINDER ASSEMBLY - Non-Adjustable - Split Housing	1
28.1	180-308A	SLAVE CYLINDER PISTON - DIV 1.5 WS	1
28	180-420A	SLAVE CYLINDER HOUSING - Magura Split 10mm & 8mm (no	1
53	418-805	HARDWARE - 021 Brown Viton X Ring	1
53.2	418-915A	HARDWARE - BUNA O-ring, size 30mmID x 1.5mmW, Black	1
53.1	418-917A	HARDWARE - 1.5x24mm Viton O-ring, 75Dur	1
54	419-100A	HARDWARE - ASC Bleed Screw Cap	1
Not Show	419-104	HARDWARE - 15 in L X 1/4OD. X .17ID. Clear Vinyl Tube	1
54.1	419-125A	HARDWARE - M8x1.0 ASC, Brake Bleeder Bolt	1
55	420-301A	GASKET - Slave Cylinder - Mag,Form - fits 180-100,-112,-119	1
56	431-304	BALL BEARING - 1/4in Chrome Steel Ball	1
59	441-075A	WAVE SPRING - Slave Cylinder Return	1
Not Shown	821-013A	Prop. 65 Warning Label	1