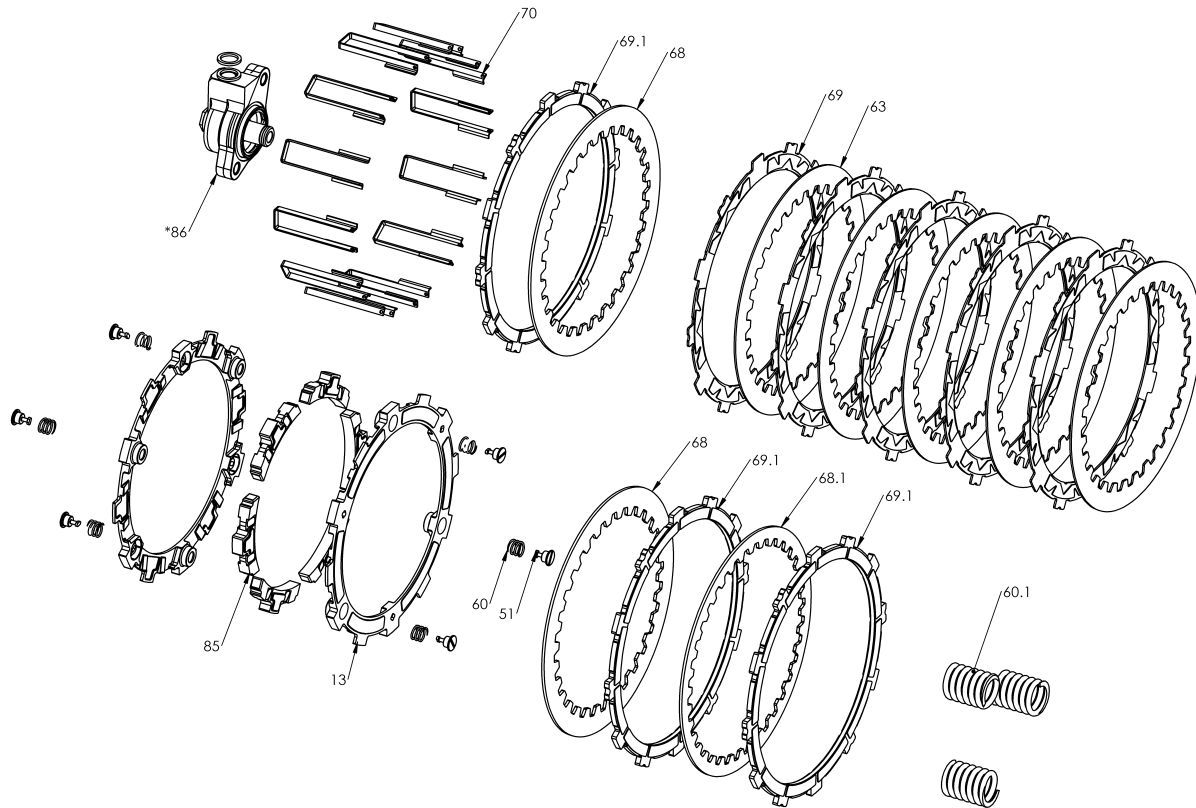


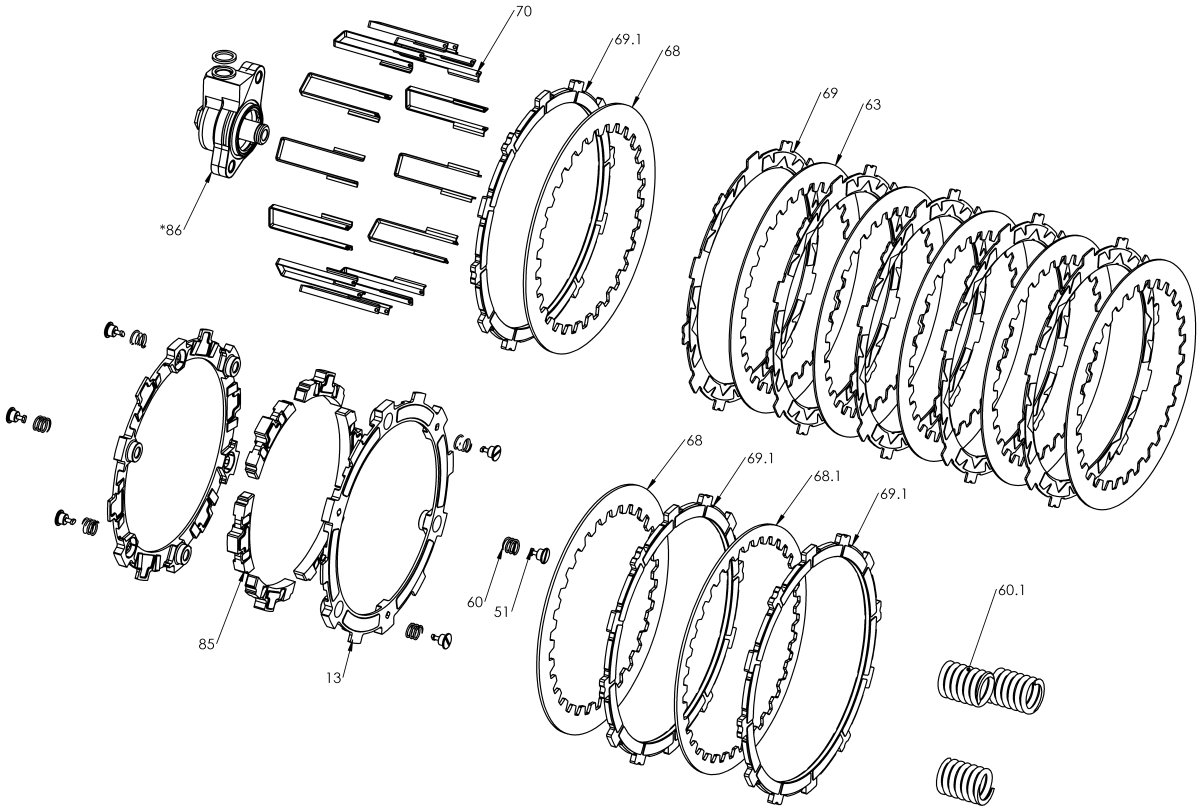
RMS-6382E - RADIUSX CLUTCH



**SLAVE CYLINDER ASSEMBLY FICHE CAN BE VIEWED SEPARATELY.
REBUILD KIT ALSO AVAILABLE SEPERATELY FROM REKLUSE.*

| Item | Part Number | Item Description | Qty |
|-----------|-------------|--|-----|
| 13 | 140-216E | EXP 3.0 BASE - HD Big Twin | 2 |
| Not Shown | 415-000 | FASTENER - Quarter Turn Pin | 2 |
| 51 | 415-000 | FASTENER - Quarter Turn Pin | 6 |
| Not Shown | 419-120 | HARDWARE - 1 Orange Free Play Gain Rubber Band | 1 |
| Not Shown | 419-712A | HARDWARE-Velcro Strap 1in X 8in | 2 |
| Not Shown | 442-004 | EXP ADJUSTMENT SPRING EXP - Gold | 3 |
| 60 | 442-005B | EXP ADJUSTMENT SPRING EXP - Green | 6 |
| Not Shown | 442-006A | EXP ADJUSTMENT SPRING EXP - White | 6 |
| 60.1 | 442-115A | PRESSURE PLATE SPRING - KTM LC8 Assist and Slipper - Purp | 3 |
| 63 | 460-601C | DRIVE PLATE - 0.040in BT CVO, 1190 | 5 |
| 68 | 466-601A | DRIVE PLATE - 0.065in BT CVO, 1190 | 2 |
| 68.1 | 466-602B | DRIVE PLATE - 0.065in BT Top CVO, 1190 (indexes to pressur | 1 |
| 69.1 | 469-316B | FRICTION DISK - LC8 / CVO - Thick .150in 3.81mm | 3 |
| 69 | 469-530A | FRICTION DISK - HD Thin Friction Disk - 2-Segment Pads | 5 |
| 70 | 471-301 | BASKET SLEEVE - H2.08 - 4S | 12 |

RMS-6382E - RADIUSX CLUTCH



**SLAVE CYLINDER ASSEMBLY FICHE CAN BE VIEWED SEPARATELY.
REBUILD KIT ALSO AVAILABLE SEPERATELY FROM REKLUSE.*

| Item | Part Number | Item Description | Qty |
|-----------|-------------|---|-----|
| 85 | 741-018D | EXP 3.0 WEDGE ASSEMBLY - H-D Heavy | 6 |
| 86 | 742-024A | ADJUSTABLE SLAVE CYLINDER ASSEMBLY - KTM 1050,1190, | 1 |
| Not Shown | 790-001 | HARDWARE - Brake Kit 60cc syringe and tube assembly | 1 |
| Not Shown | 821-010B | WARNING LABEL - Clutch Lever Decal | 1 |
| Not Shown | 821-013A | Prop. 65 Warning Label | 1 |