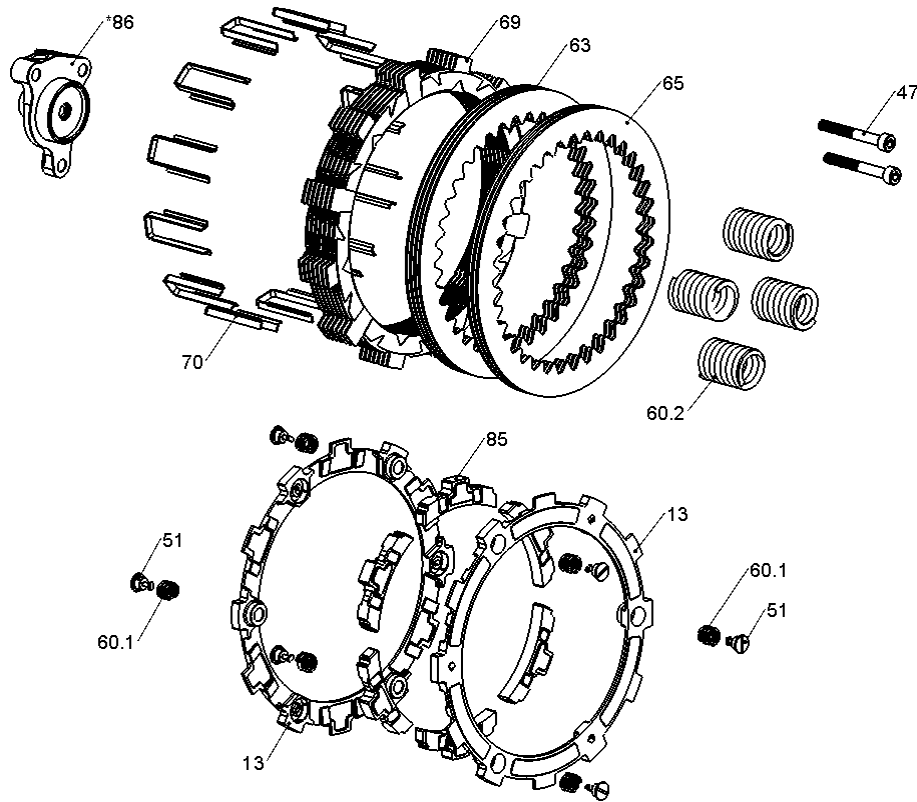


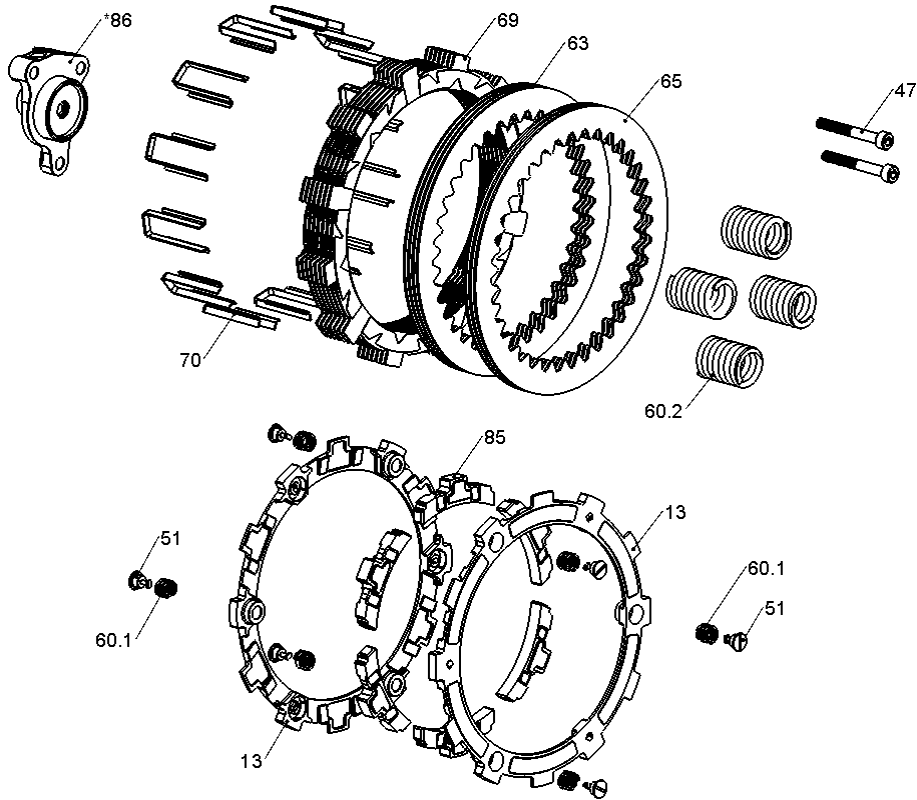
RMS-6380G - RADIUSX CLUTCH



**SLAVE CYLINDER ASSEMBLY FICHE CAN BE VIEWED SEPARATELY.
REBUILD KIT ALSO AVAILABLE SEPERATELY FROM REKLUSE.*

Item	Part Number	Item Description	Qty
13	140-222B	EXP 3.0 BASE - S450 TD	2
47	411-160A	FASTENER - M5 x 0.8 x 40 Socket Head Screw (4mm Allen)	2
51	415-000	FASTENER - Quarter Turn Pin	6
Not Shown	415-000	FASTENER - Quarter Turn Pin	2
Not Shown	419-120	HARDWARE - 1 Orange Free Play Gain Rubber Band	1
Not Shown	419-712A	HARDWARE-Velcro Strap 1in X 8in	2
Not Shown	442-002	EXP ADJUSTMENT SPRING EXP - Medium (Red)	3
60.1	442-003	EXP ADJUSTMENT SPRING EXP - Heavy (Blue)	6
Not Shown	442-004	EXP ADJUSTMENT SPRING EXP - Super Heavy (Gold)	3
60.2	442-116A	PRESSURE PLATE SPRING - KTM, Husq LC4 - White	4
63	460-615B	DRIVE PLATE - 0.040 KTM 690	4
65	462-615B	DRIVE PLATE - 0.048 KTM 690	3
69	469-333A	FRICITION DISK - S450 TORQ-DRIVE - 2-Segment Pads	7
70	471-304A	BASKET SLEEVE - KTM 690 - 1.450in Tall	12
85	741-011B	EXP 3.0 WEDGE ASSEMBLY - H450 - Heavy	6

RMS-6380G - RADIUSX CLUTCH



**SLAVE CYLINDER ASSEMBLY FICHE CAN BE VIEWED SEPARATELY.
REBUILD KIT ALSO AVAILABLE SEPERATELY FROM REKLUSE.*

Item	Part Number	Item Description	Qty
86	742-019D	ADJUSTABLE SLAVE CYLINDER ASSEMBLY - Housing-120, Pis	1
28	180-107	SLAVE CYLINDER ADJUSTER - Screw, M6x7mm	1
28.1	180-120B	Adjustable Slave Cylinder Housing - Magura	1
28.2	180-208A	SLAVE CYLINDER PISTON - DIV 1.5	1
53	418-805	HARDWARE - 021 Brown Viton X Ring	1
53.1	418-908	HARDWARE - Brown Viton Fluoroelastomer O-Ring AS568A	2
53.2	418-915A	HARDWARE - BUNA O-ring, size 30mmID x 1.5mmW, Black	1
53.3	418-917A	HARDWARE - 1.5x24mm Viton O-ring, 75Dur	1
Not Show	419-104	HARDWARE - 15 in L X 1/4OD. X .17ID. Clear Vinyl Tube	1
55	420-301A	GASKET - Slave Cylinder - Mag,Form - fits 180-100,-112,-119	1
56	431-304	BALL BEARING - 1/4in Chrome Steel Ball	1
Not Shown	821-010B	WARNING LABEL - Clutch Lever Decal	1