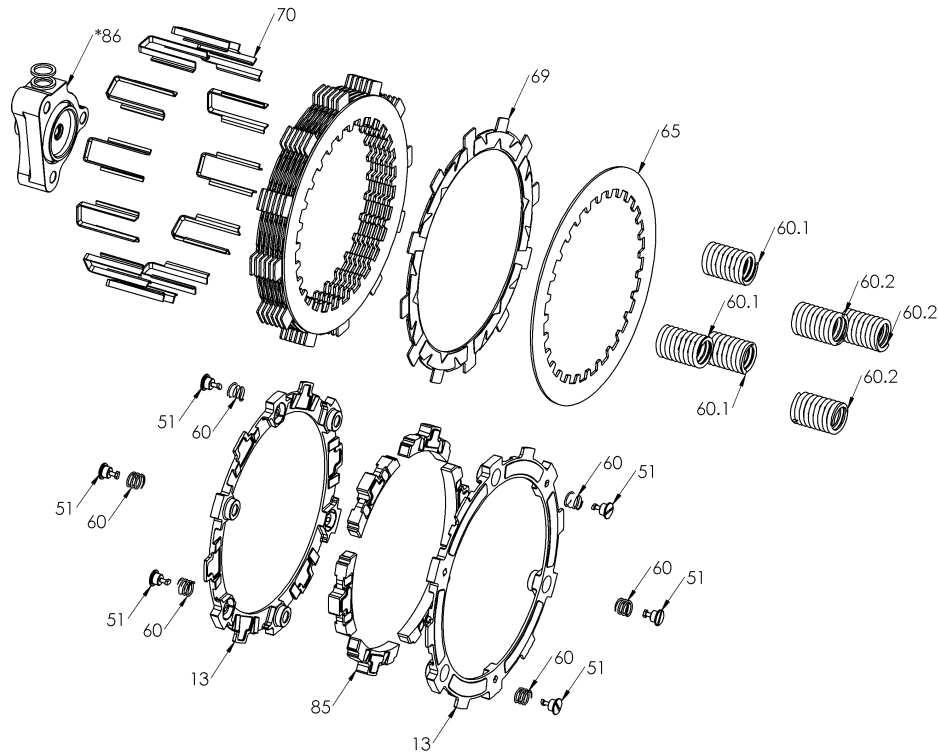


# RMS-6317000A - RADIUSX CLUTCH



*\*SLAVE CYLINDER ASSEMBLY FICHE CAN BE VIEWED SEPARATELY.  
REBUILD KIT ALSO AVAILABLE SEPERATELY FROM REKLUSE.*

Item	Part Number	Item Description	Qty
13	140-220B	EXP 3.0 BASE - H450 TD	2
51	415-000	FASTENER - Quarter Turn Pin	6
Not Shown	415-000	FASTENER - Quarter Turn Pin	2
Not Shown	419-120	HARDWARE - 1 Orange Free Play Gain Rubber Band	1
Not Shown	442-001	EXP ADJUSTMENT SPRING EXP - Light (Silver)	3
60	442-002	EXP ADJUSTMENT SPRING EXP - Medium (Red)	6
Not Shown	442-003	EXP ADJUSTMENT SPRING EXP - Heavy (Blue)	3
60.1	442-101	PRESSURE PLATE SPRING - 450 Class Bikes Medium Red (incl	3
60.2	442-102	PRESSURE PLATE SPRING - 450 Class Bikes Heavy Blue	3
65	462-648A	DRIVE PLATE - 0.048 in 12-17 Gas Gas 250-300	7
69	469-331A	FRICITION DISK - H450 TORQ-DRIVE - 2-Segment Pads	7
70	471-304A	BASKET SLEEVE - KTM 690 - 1.450in Tall	12
85	741-012B	EXP 3.0 WEDGE ASSEMBLY - H450 - Medium	6
86	742-035A	ADJUSTABLE SLAVE CYLINDER ASSEMBLY - GASGAS - Housin	1