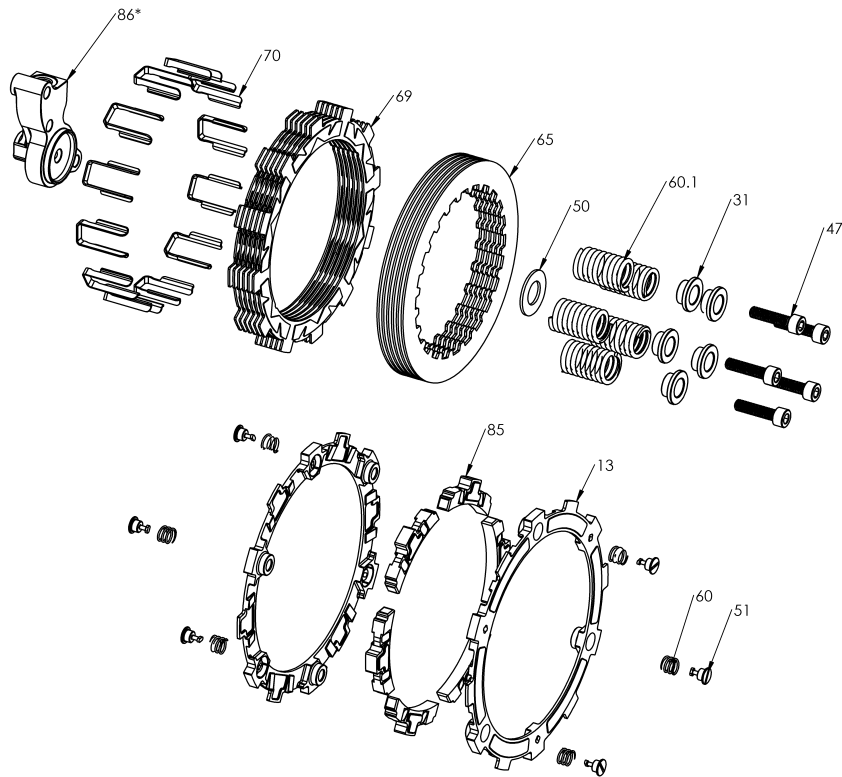


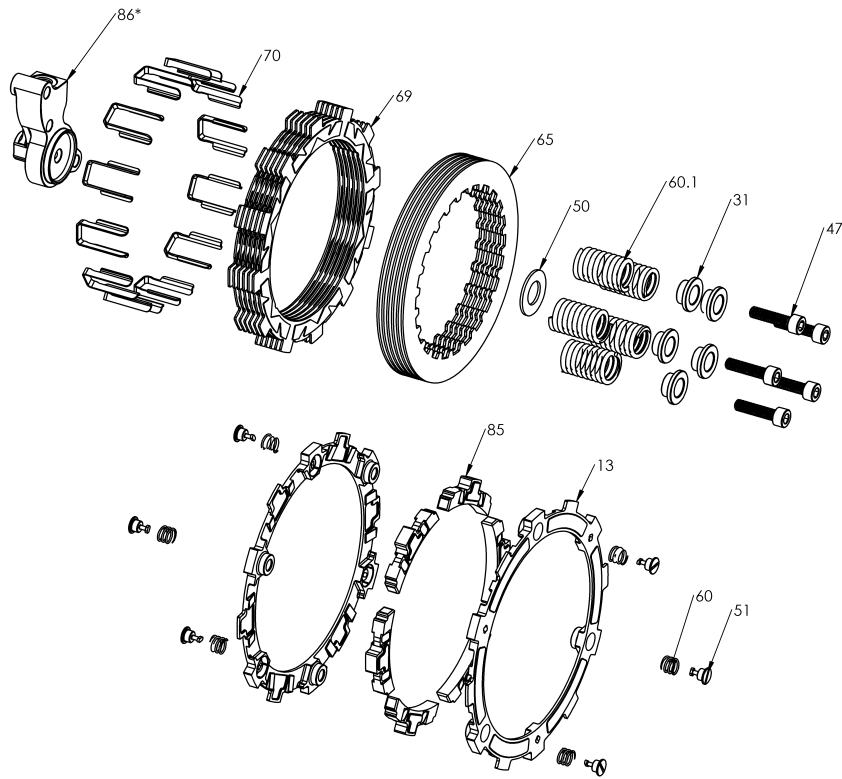
RMS-6313037A - RADIUSX CLUTCH



**SLAVE CYLINDER ASSEMBLY FICHE CAN BE VIEWED SEPARATELY.
REBUILD KIT ALSO AVAILABLE SEPERATELY FROM REKLUSE.*

| Item | Part Number | Item Description | Qty |
|-----------|-------------|--|-----|
| 13 | 140-223B | EXP 3.0 BASE - H250 TD | 2 |
| 31 | 184-102A | HARDWARE - YXZ1000 Screw Sleeve | 5 |
| 47 | 411-001A | FASTENER - M6 x 25 Socket Cap Screw | 5 |
| 50 | 414-141 | HARDWARE - TO Spacing Washer | 1 |
| 51 | 415-000 | FASTENER - Quarter Turn Pin | 6 |
| Not Shown | 415-000 | FASTENER - Quarter Turn Pin | 2 |
| Not Shown | 419-120 | HARDWARE - 1 Orange Free Play Gain Rubber Band | 1 |
| 60 | 442-001 | EXP ADJUSTMENT SPRING EXP - Light (Silver) | 6 |
| Not Shown | 442-002 | EXP ADJUSTMENT SPRING EXP - Medium (Red) | 3 |
| Not Shown | 442-007A | EXP ADJUSTMENT SPRING EXP - 2LB (Steel) | 3 |
| 60.1 | 442-108 | PRESSURE PLATE SPRING - EXP - Suzuki - RMZ250/450 - Oliv | 5 |
| 65 | 462-037A | DRIVE PLATE - 0.048in Drive Plate - KTM 125,200 | 6 |
| 69 | 469-334A | FRICITION DISK - H250 TORQ-DRIVE - 2-Segment Pads | 6 |
| 70 | 471-312A | BASKET SLEEVE - KTM SHORT | 12 |
| 85 | 741-013B | EXP 3.0 WEDGE ASSEMBLY - H250 - Heavy | 6 |

RMS-6313037A - RADIUSX CLUTCH



**SLAVE CYLINDER ASSEMBLY FICHE CAN BE VIEWED SEPARATELY.
REBUILD KIT ALSO AVAILABLE SEPERATELY FROM REKLUSE.*

| Item | Part Number | Item Description | Qty |
|------|-------------|--|-----|
| 86 | 742-005E | ADJUSTABLE SLAVE CYLINDER ASSEMBLY - KT125/200 180-1 | 1 |