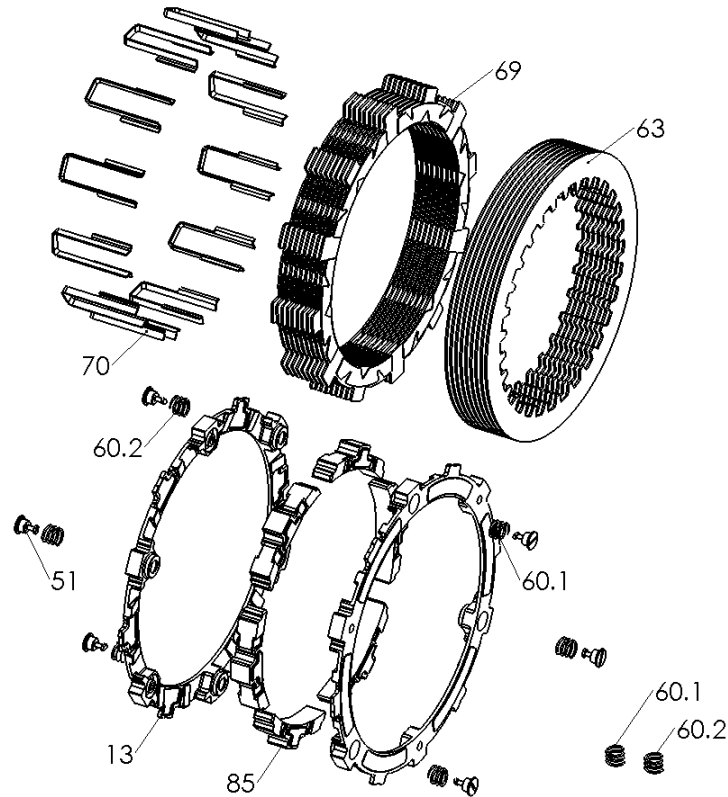


# RMS-6307C - RADIUSX CLUTCH



Item	Part Number	Item Description	Qty
13	140-222B	EXP 3.0 BASE - S450 TD	2
51.1	415-000	FASTENER - Quarter Turn Pin	2
51	415-000	FASTENER - Quarter Turn Pin	6
Not Shown	419-120	HARDWARE - 1 Orange Free Play Gain Rubber Band	1
Not Shown	419-712A	HARDWARE-Velcro Strap 1in X 8in	2
Not Shown	442-002	EXP ADJUSTMENT SPRING EXP - Medium (Red)	3
60.1	442-002	EXP ADJUSTMENT SPRING EXP - Medium (Red)	3
Not Shown	442-003	EXP ADJUSTMENT SPRING EXP - Heavy (Blue)	3
60.2	442-003	EXP ADJUSTMENT SPRING EXP - Heavy (Blue)	3
63	460-607A	DRIVE PLATE - 0.040 BMW F800GS	9
69	469-333A	FRICTION DISK - S450 TORQ-DRIVE - 2-Segment Pads	9
70	471-300	BASKET SLEEVE - Dirt Bikes	12
85	741-011B	EXP 3.0 WEDGE ASSEMBLY - H450 - Heavy	6
Not Shown	821-010B	WARNING LABEL - Clutch Lever Decal	1