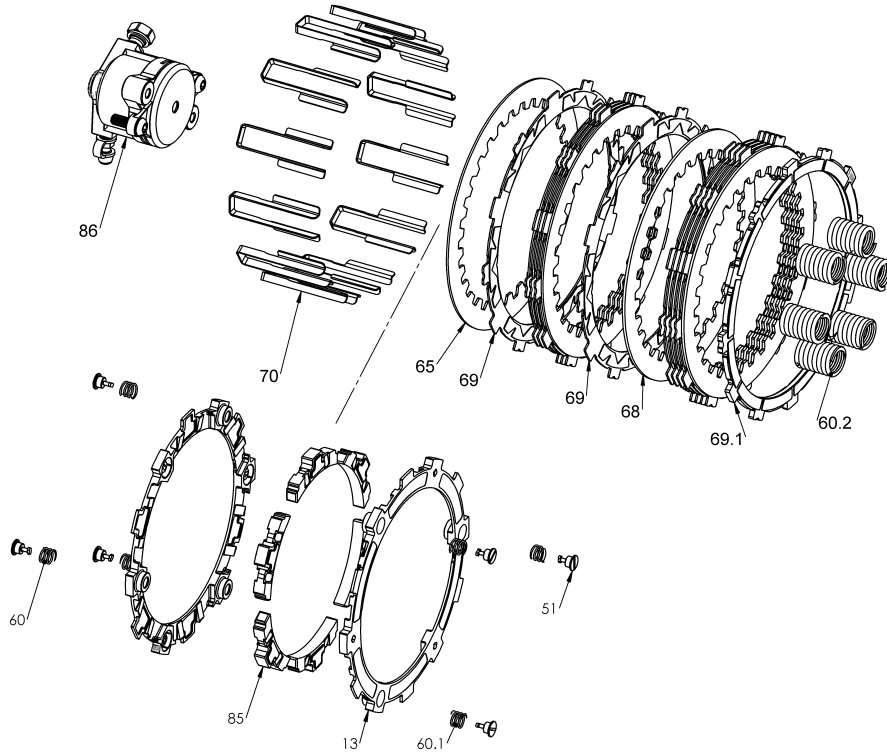


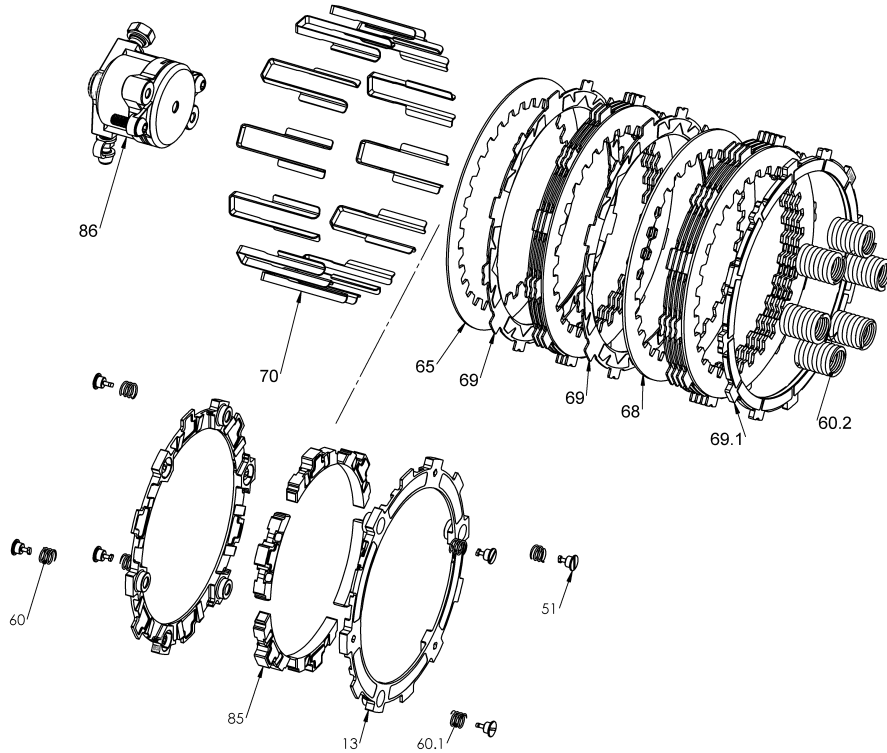
RMS-6306000A - RADIUSX CLUTCH (STREET)



**SLAVE CYLINDER ASSEMBLY FICHE CAN BE VIEWED SEPARATELY.
REBUILD KIT ALSO AVAILABLE SEPERATELY FROM REKLUSE.*

Item	Part Number	Item Description	Qty
13	140-216E	EXP 3.0 BASE - HD Big Twin	2
Not Shown	415-000	FASTENER - Quarter Turn Pin	2
51	415-000	FASTENER - Quarter Turn Pin	6
Not Shown	419-120	HARDWARE - 1 Orange Free Play Gain Rubber Band	1
Not Shown	419-711A	HARDWARE - Velcro Strap 1in X 12in	2
Not Shown	442-005B	EXP ADJUSTMENT SPRING EXP - Green	3
60	442-005B	EXP ADJUSTMENT SPRING EXP - Green	3
Not Shown	442-006A	EXP ADJUSTMENT SPRING EXP - White	3
60.1	442-006A	EXP ADJUSTMENT SPRING EXP - White	3
60.2	442-112	PRESSURE PLATE SPRING - EXP - KTM - 200SX/XC - Green	6
65	462-601A	DRIVE PLATE - 0.048in BT CVO, 1190	5
68	466-601A	DRIVE PLATE - 0.065in BT CVO, 1190	5
69.1	469-316B	FRICITION DISK - LC8 / CVO - Thick .150in 3.81mm	1
69	469-530A	FRICITION DISK - HD Thin Friction Disk - 2-Segment Pads	9
70	471-313A	BASKET SLEEVE - H2.23	12

RMS-6306000A - RADIUSX CLUTCH (STREET)



**SLAVE CYLINDER ASSEMBLY FICHE CAN BE VIEWED SEPARATELY.
REBUILD KIT ALSO AVAILABLE SEPERATELY FROM REKLUSE.*

Item	Part Number	Item Description	Qty
85	741-018D	EXP 3.0 WEDGE ASSEMBLY - H-D Heavy	6
86	742-038A	ADJUSTABLE SLAVE ASSEMBLY - Hayabusa - Housing 180-13	1
28.1	180-124A	SLAVE CYLINDER ADJUSTER - Screw, M6x10.5mm	1
28.2	180-136A	SLAVE CYLINDER HOUSING - Hayabusa	1
28.3	180-137A	SLAVE CYLINDER PISTON - Hayabusa	1
28	180-139A	SLAVE CYLINDER COVER - Hayabusa	1
47	411-180B	FASTENER - M6 x 1. x 18mm Button-Head Allen Screw, Zinc-	2
50	414-230	HARDWARE - Crush Washers: 10mm	2
53.2	418-907	HARDWARE - 011 EPDM O-ring	2
53.1	418-922A	HARDWARE - EPDM O-Ring, size-025, Black	2
53.2	418-923A	HARDWARE - BUNA O-Ring, size-006, Black	1
53.3	418-924A	HARDWARE - BUNA O-Ring, size-029, Black	1
54	419-100A	HARDWARE - ASC Bleed Screw Cap	1
54.1	419-125A	HARDWARE - M8x1.0 ASC, Brake Bleeder Bolt	1
56	431-304	BALL BEARING - 1/4in Chrome Steel Ball	1

