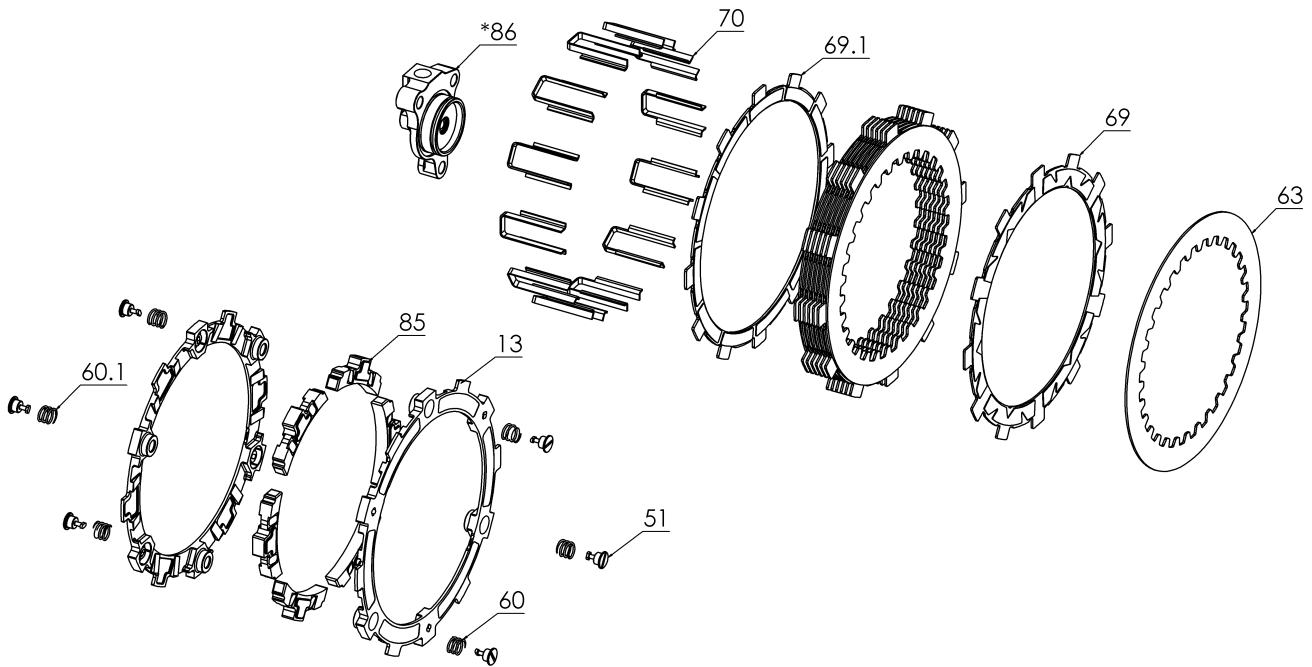


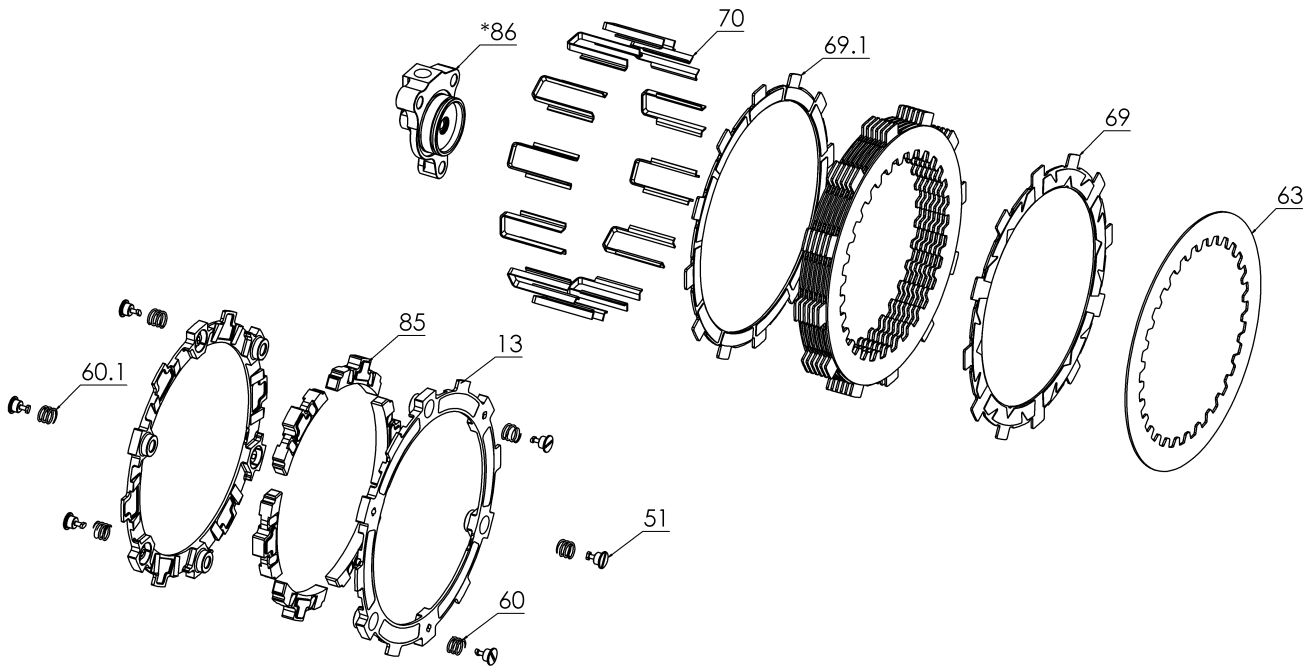
RMS-6302021G - RADIUSX CLUTCH



**SLAVE CYLINDER ASSEMBLY FICHE CAN BE VIEWED SEPARATELY.
REBUILD KIT ALSO AVAILABLE SEPERATELY FROM REKLUSE.*

Item	Part Number	Item Description	Qty
13	140-221C	EXP 3.0 BASE - Y450 TD	2
51	415-000	FASTENER - Quarter Turn Pin	6
Not Shown	415-000	FASTENER - Quarter Turn Pin	2
Not Shown	419-120	HARDWARE - 1 Orange Free Play Gain Rubber Band	1
Not Shown	420-970A	GASKET - Beta 2 Stroke .125 in EXP w/ Torqdrive	1
Not Shown	442-002	EXP ADJUSTMENT SPRING EXP - Red	3
60	442-002	EXP ADJUSTMENT SPRING EXP - Red	3
60.1	442-003	EXP ADJUSTMENT SPRING EXP - Blue	3
Not Shown	442-003	EXP ADJUSTMENT SPRING EXP - Blue	3
63	460-625A	DRIVE PLATE - 0.040 - Yamaha YZ450F OEM	8
69	469-332A	FRICITION DISK - Y450 TORQ-DRIVE - 2-Segment Pads	7
69.1	469-356A	FRICITION DISK - Thin Judder Friction .078 - Y450	1
70	471-304B	BASKET SLEEVE - H1.45 - 4S	12
85	741-012B	EXP 3.0 WEDGE ASSEMBLY - H450 - Medium	6
86	742-030D	ADJUSTABLE SLAVE ASSEMBLY - Housing 180-120, Piston 18	1

RMS-6302021G - RADIUSX CLUTCH



**SLAVE CYLINDER ASSEMBLY FICHE CAN BE VIEWED SEPARATELY.
REBUILD KIT ALSO AVAILABLE SEPERATELY FROM REKLUSE.*

Item	Part Number	Item Description	Qty
Not Shown	821-013A	Prop. 65 Warning Label	1