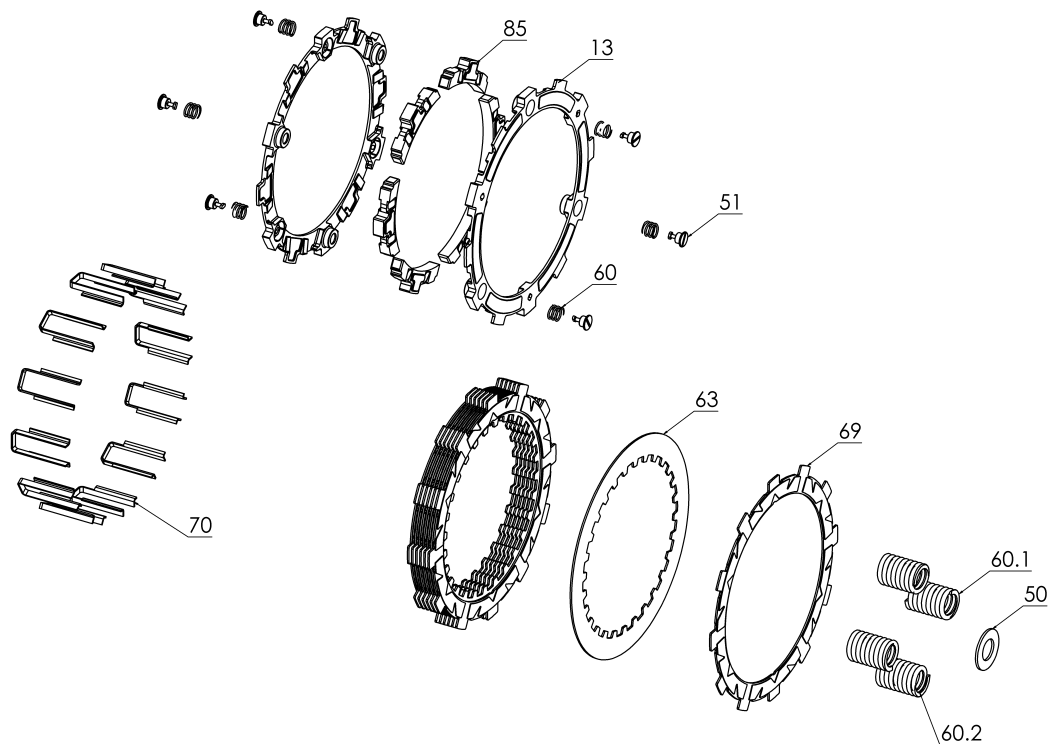
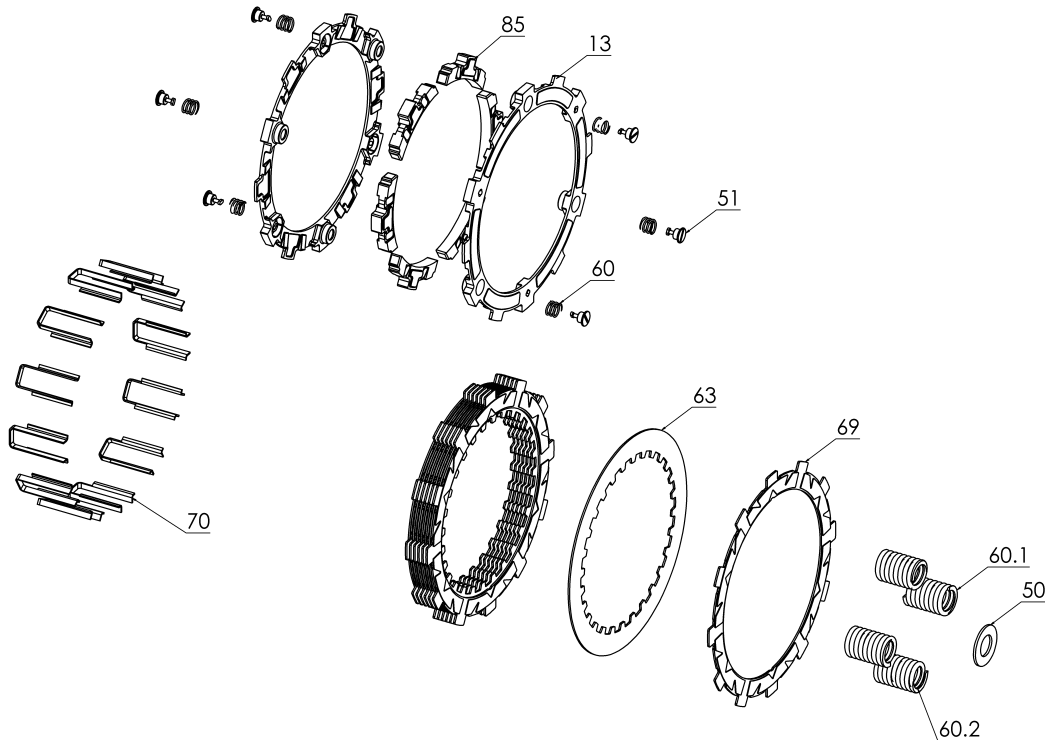


# RMS-6301019C - RADIUSX CLUTCH



| Item      | Part Number | Item Description   | Qty |
|-----------|-------------|--|-----|
| 13        | 140-220C    | EXP 3.0 BASE - H450 TD                                   | 2   |
| 50        | 414-156A    | HARDWARE - 1/2 x 3/4 x .062in Flat Washer                | 1   |
| 51        | 415-000     | FASTENER - Quarter Turn Pin                              | 6   |
| Not Shown | 415-000     | FASTENER - Quarter Turn Pin                              | 2   |
| Not Shown | 419-120     | HARDWARE - 1 Orange Free Play Gain Rubber Band           | 1   |
| Not Shown | 420-214A    | GASKET - XR650R  | 1   |
| Not Shown | 442-003     | EXP ADJUSTMENT SPRING EXP - Blue                         | 3   |
| 60        | 442-004     | EXP ADJUSTMENT SPRING EXP - Gold                         | 6   |
| Not Shown | 442-005B    | EXP ADJUSTMENT SPRING EXP - Green                        | 3   |
| 60.1      | 442-106B    | PRESSURE PLATE SPRING - EXP - Honda - 09+ CRF450 - Black | 2   |
| 60.2      | 442-108     | PRESSURE PLATE SPRING - EXP - Suzuki - RMZ250/450 - Oliv | 2   |
| 63        | 460-636A    | DRIVE PLATE - .040 Honda CRF450R OEM                     | 7   |
| 69        | 469-331A    | FRICTION DISK - H450 TORQ-DRIVE - 2-Segment Pads         | 7   |
| 70        | 471-304B    | BASKET SLEEVE - H1.45 - 4S                               | 12  |
| 85        | 741-012B    | EXP 3.0 WEDGE ASSEMBLY - H450 - Medium                   | 6   |

# RMS-6301019C - RADIUSX CLUTCH



| Item      | Part Number | Item Description       | Qty |
|-----------|-------------|------------------------|-----|
| Not Shown | 821-013A    | Prop. 65 Warning Label | 1   |