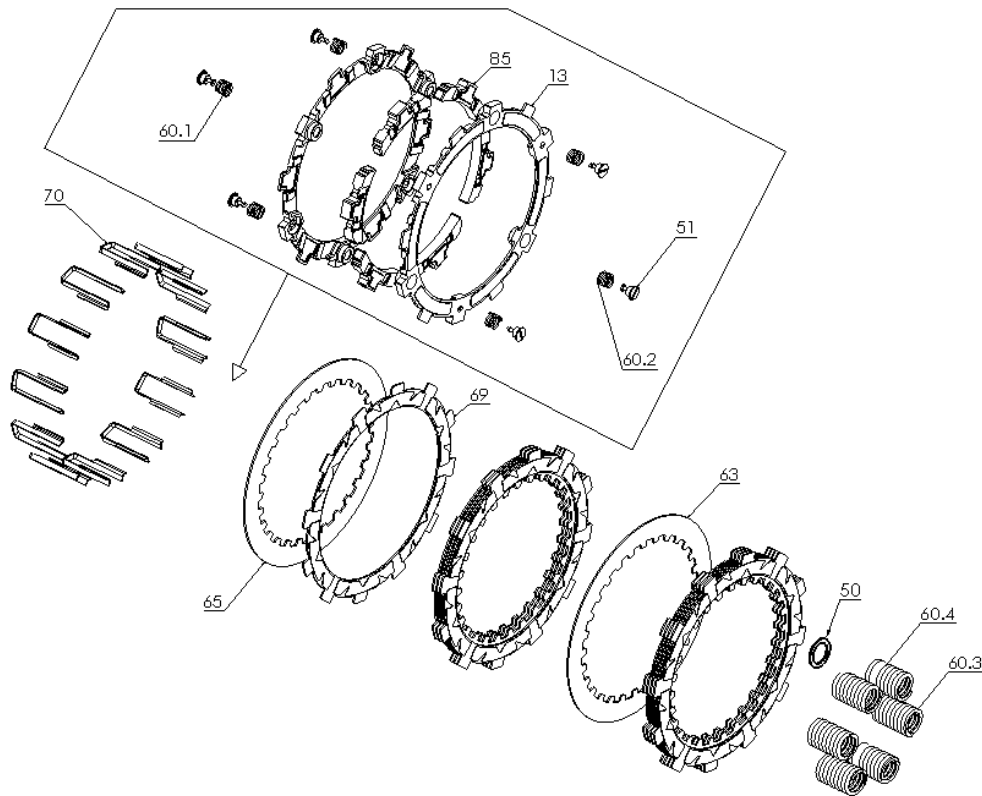
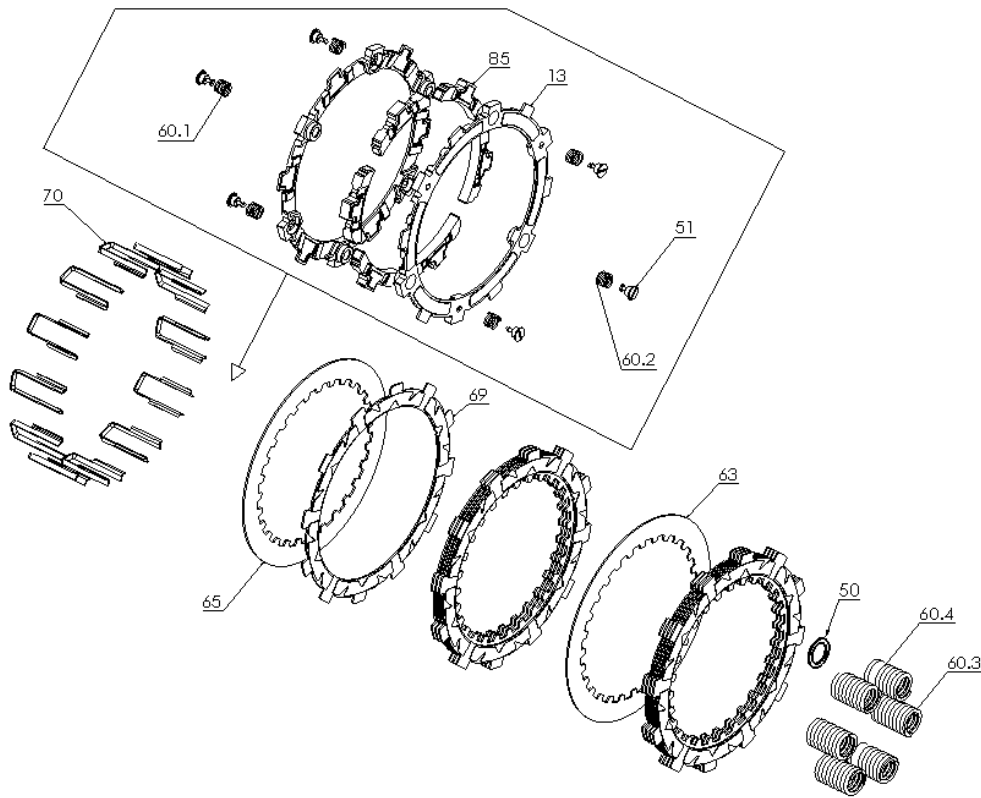


# rms-6301013A - Radius X Clutch



Item	Part Number	Item Description	Qty
13	140-220B	EXP 3.0 BASE - H450 TD	2
50	414-130	HARDWARE - 1/2 Flat Throwout Washer	1
51	415-000	FASTENER - Quarter Turn Pin	6
Not Shown	415-000	FASTENER - Quarter Turn Pin	2
Not Shown	419-120	HARDWARE - 1 Orange Free Play Gain Rubber Band	1
Not Shown	420-219	GASKET - H450	1
Not Shown	442-002	EXP ADJUSTMENT SPRING EXP - Medium (Red)	3
60.1	442-002	EXP ADJUSTMENT SPRING EXP - Medium (Red)	3
Not Shown	442-003	EXP ADJUSTMENT SPRING EXP - Heavy (Blue)	3
60.2	442-003	EXP ADJUSTMENT SPRING EXP - Heavy (Blue)	3
60.3	442-101	PRESSURE PLATE SPRING - 450 Class Bikes Medium Red (incl	3
60.4	442-102	PRESSURE PLATE SPRING - 450 Class Bikes Heavy Blue	3
63	460-636A	DRIVE PLATE - .040 Honda CRF450R OEM	4
65	462-636A	DRIVE PLATE - 0.048 Honda CRF450 OEM	4
69	469-231A	FRICITION DISK - H450 TORQ-DRIVE - 2-Segment Pads	8

# rms-6301013A - Radius X Clutch



Item	Part Number	Item Description	Qty
70	471-307A	BASKET SLEEVE - EXP with Torqdrive	12
85	741-012A	EXP 3.0 WEDGE ASSEMBLY - H450 - Medium	6