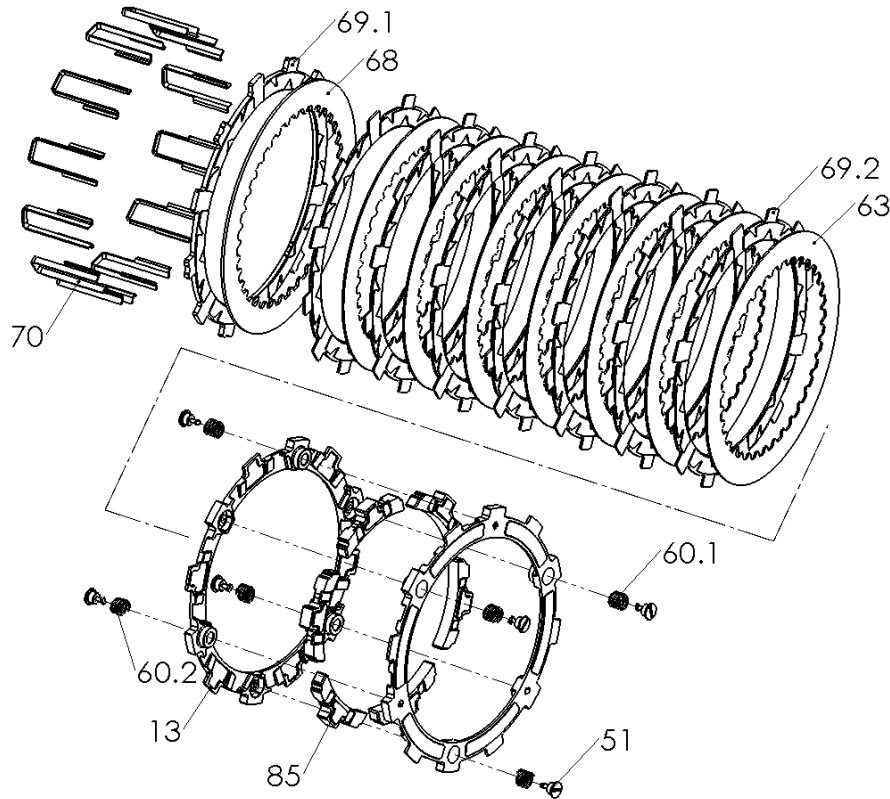
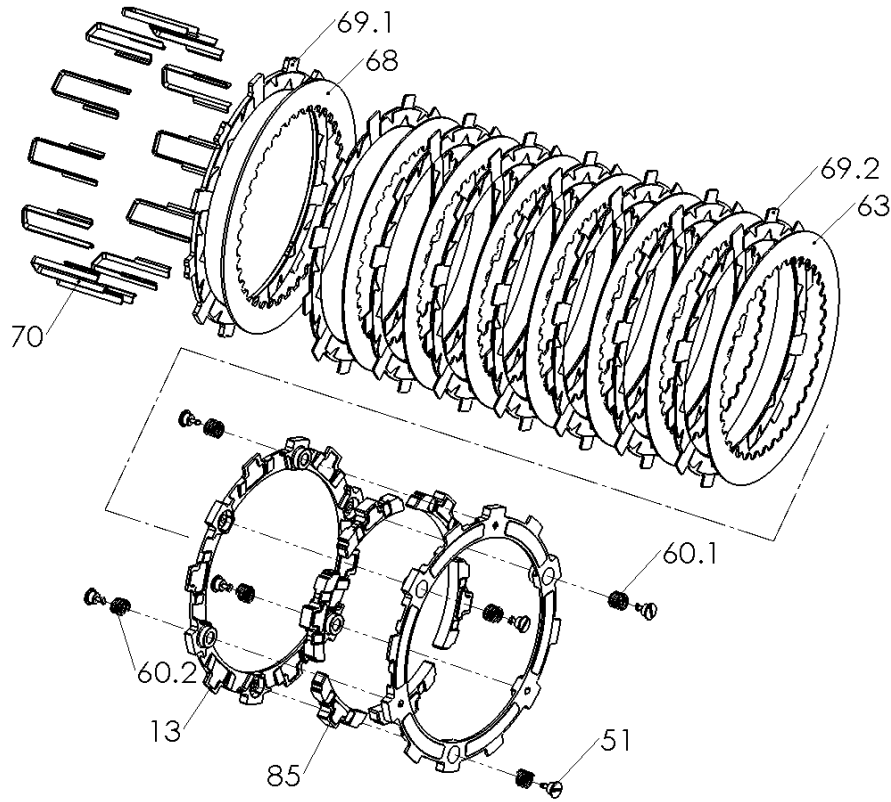


RMS-6231A - RADIUSX CLUTCH (INDIAN)



Item	Part Number	Item Description	Qty
13	140-216E	EXP 3.0 BASE - HD Big Twin	2
Not Shown	415-000	FASTENER - Quarter Turn Pin	2
51	415-000	FASTENER - Quarter Turn Pin	6
Not Shown	419-120	HARDWARE - 1 Orange Free Play Gain Rubber Band	1
Not Shown	419-711A	HARDWARE - Velcro Strap 1in X 12in	2
Not Shown	442-003	EXP ADJUSTMENT SPRING EXP - Blue	3
60.2	442-003	EXP ADJUSTMENT SPRING EXP - Blue	3
60.1	442-004	EXP ADJUSTMENT SPRING EXP - Gold	3
60.1	442-004	EXP ADJUSTMENT SPRING EXP - Gold	3
63	460-601C	DRIVE PLATE - 0.040in BT CVO, 1190	7
68	466-601A	DRIVE PLATE - 0.065in BT CVO, 1190	1
69.1	469-316B	FRICTION DISK - LC8 / CVO - Thick .150in 3.81mm	1
69.2	469-530A	FRICTION DISK - HD Thin Friction Disk - 2-Segment Pads	7
70	471-301	BASKET SLEEVE - H2.08 - 4S	12
85	741-018D	EXP 3.0 WEDGE ASSEMBLY - H-D Heavy	6

RMS-6231A - RADIUSX CLUTCH (INDIAN)



Item	Part Number	Item Description	Qty
Not Shown	821-010B	WARNING LABEL - Clutch Lever Decal	1
Not Shown	821-013A	Prop. 65 Warning Label	1