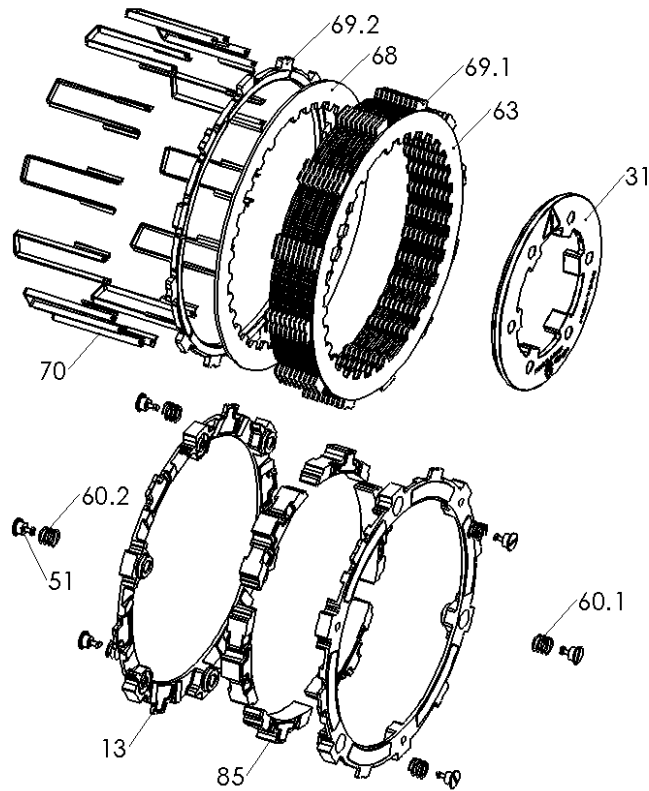
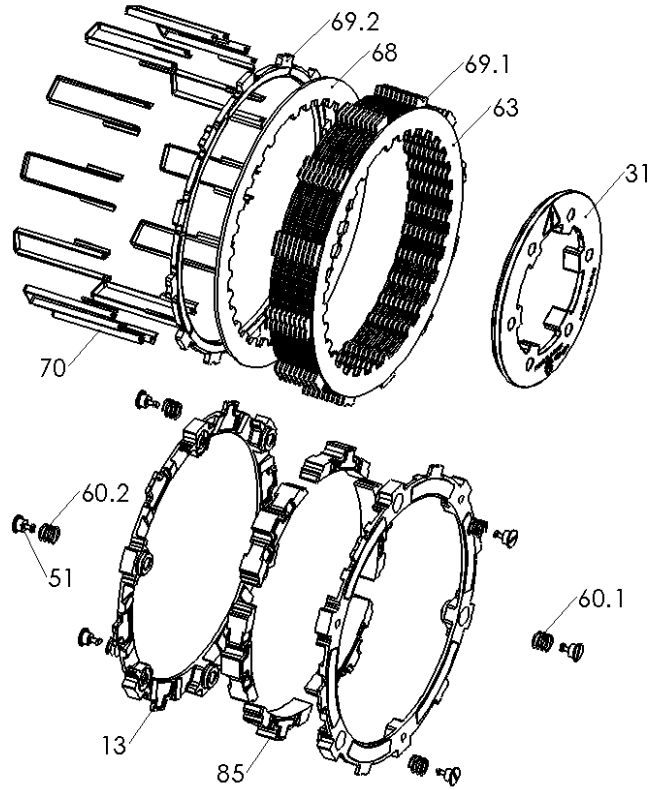


RMS-6201F - RADIUSX CLUTCH (HD)



Item	Part Number	Item Description	Qty
13	140-216E	EXP 3.0 BASE - HD Big Twin	2
31	184-012A	SPRING HOLD-DOWN PLATE - High-Torque Spring Ring for H	1
51	415-000	FASTENER - Quarter Turn Pin	6
Not Shown	415-000	FASTENER - Quarter Turn Pin	2
Not Shown	419-120	HARDWARE - 1 Orange Free Play Gain Rubber Band	1
Not Shown	419-711A	HARDWARE - Velcro Strap 1in X 12in	2
Not Shown	442-004	EXP ADJUSTMENT SPRING EXP - Gold	3
60.1	442-005B	EXP ADJUSTMENT SPRING EXP - Green	6
60.2	442-006A	EXP ADJUSTMENT SPRING EXP - White	6
63	460-600B	DRIVE PLATE - 0.040 Harley Big Twin	9
68	466-600B	DRIVE PLATE - 0.065 Harley Big Twin	1
69.2	469-309B	FRICTION DISK - BT - Thick .150in 3.81mm	1
69.1	469-530A	FRICTION DISK - HD Thin Friction Disk - 2-Segment Pads	9
70	471-301	BASKET SLEEVE - H2.08 - 4S	12
85	741-018D	EXP 3.0 WEDGE ASSEMBLY - H-D Heavy	6

RMS-6201F - RADIUSX CLUTCH (HD)



Item	Part Number	Item Description	Qty
Not Shown	821-010B	WARNING LABEL - Clutch Lever Decal	1
Not Shown	821-013A	Prop. 65 Warning Label	1