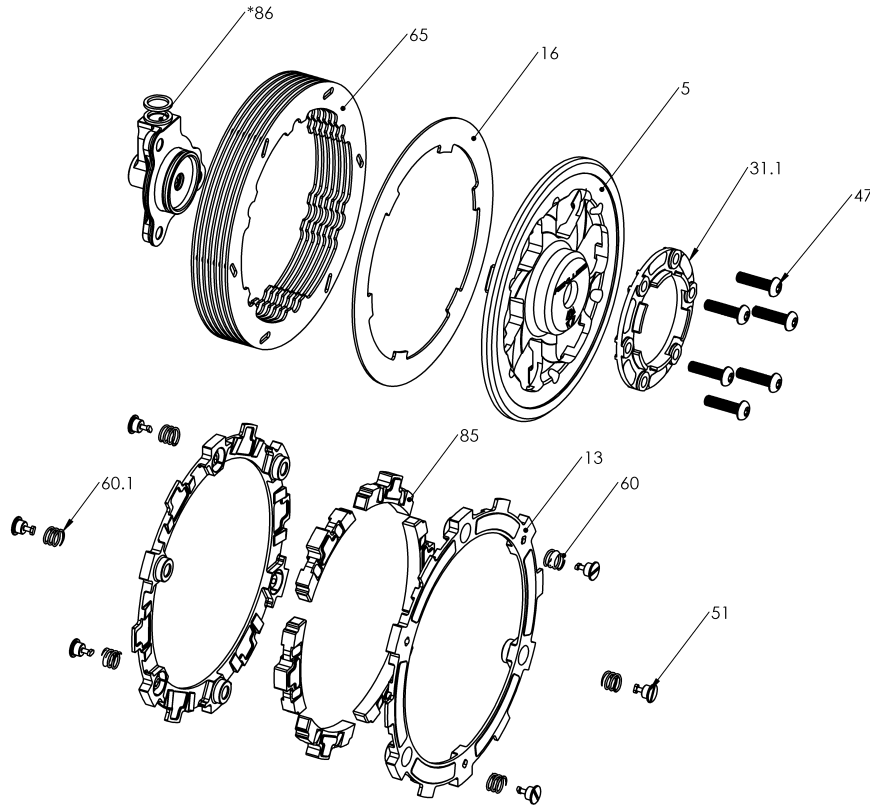


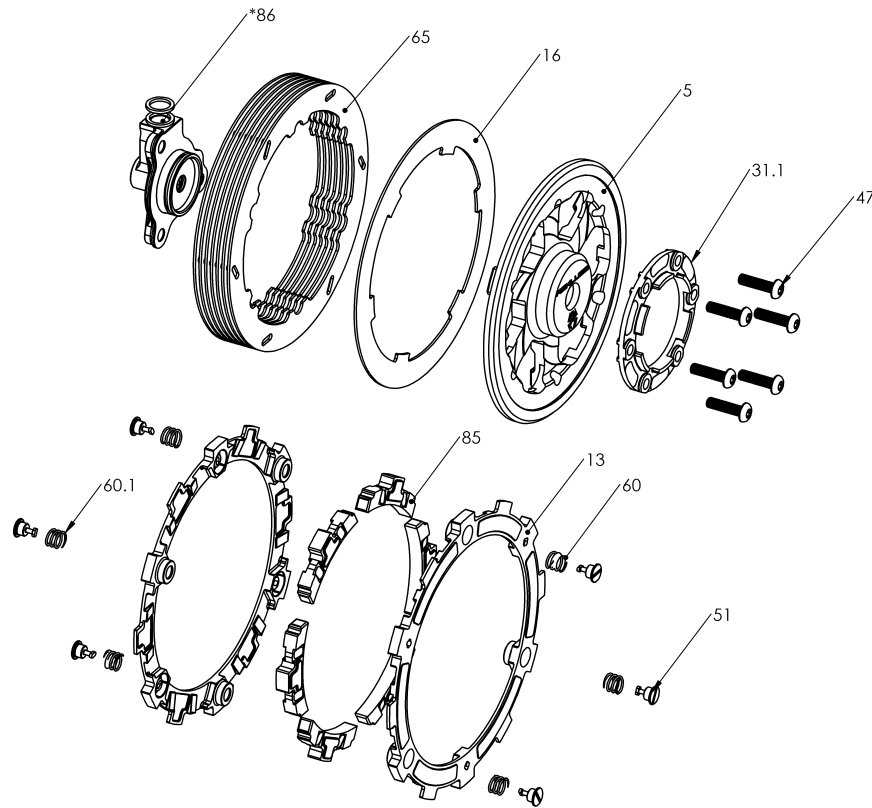
RMS-6135E - EXP 3.0 DDS CLUTCH



**SLAVE CYLINDER ASSEMBLY FICHE CAN BE VIEWED SEPARATELY.
REBUILD KIT ALSO AVAILABLE SEPERATELY FROM REKLUSE.*

Item	Part Number	Item Description	Qty
5	113-012C	PRESSURE PLATE - EXP - KTM DDS Clutch 12-15	1
13	140-215D	EXP 3.0 BASE - KT350	2
16	143-012A	EXP LINING PLATE - KTM	1
31.1	184-009	PRESSURE RING SPACER - Pressure Ring Spacer for KTM 12+	1
47	411-154A	FASTENER - M5 x 20 Button-Head T-25 Torx Screw 10.9	6
Not Shown	411-906	HARDWARE - T-25 Torx Bit	1
51	415-000	FASTENER - Quarter Turn Pin	6
Not Shown	415-000	FASTENER - Quarter Turn Pin	2
Not Shown	419-120	HARDWARE - 1 Orange Free Play Gain Rubber Band	1
Not Shown	419-300A	HARDWARE - Thread Insert - 8 x 1.0 - 8mm Length	1
60	442-001	EXP ADJUSTMENT SPRING EXP - Silver	3
Not Shown	442-001	EXP ADJUSTMENT SPRING EXP - Silver	3
60.1	442-002	EXP ADJUSTMENT SPRING EXP - Red	3
Not Shown	442-002	EXP ADJUSTMENT SPRING EXP - Red	3
65	462-605B	DRIVE PLATE - 0.048 Slotted KT 350,450,500	7

RMS-6135E - EXP 3.0 DDS CLUTCH



**SLAVE CYLINDER ASSEMBLY FICHE CAN BE VIEWED SEPARATELY.
REBUILD KIT ALSO AVAILABLE SEPERATELY FROM REKLUSE.*

Item	Part Number	Item Description	Qty
85	741-015B	EXP 3.0 WEDGE ASSEMBLY - KT350 - Heavy	6
86	742-003E	ADJUSTABLE SLAVE CYLINDER ASSEMBLY - Housing-101, Pist	1
Not Shown	821-013A	Prop. 65 Warning Label	1