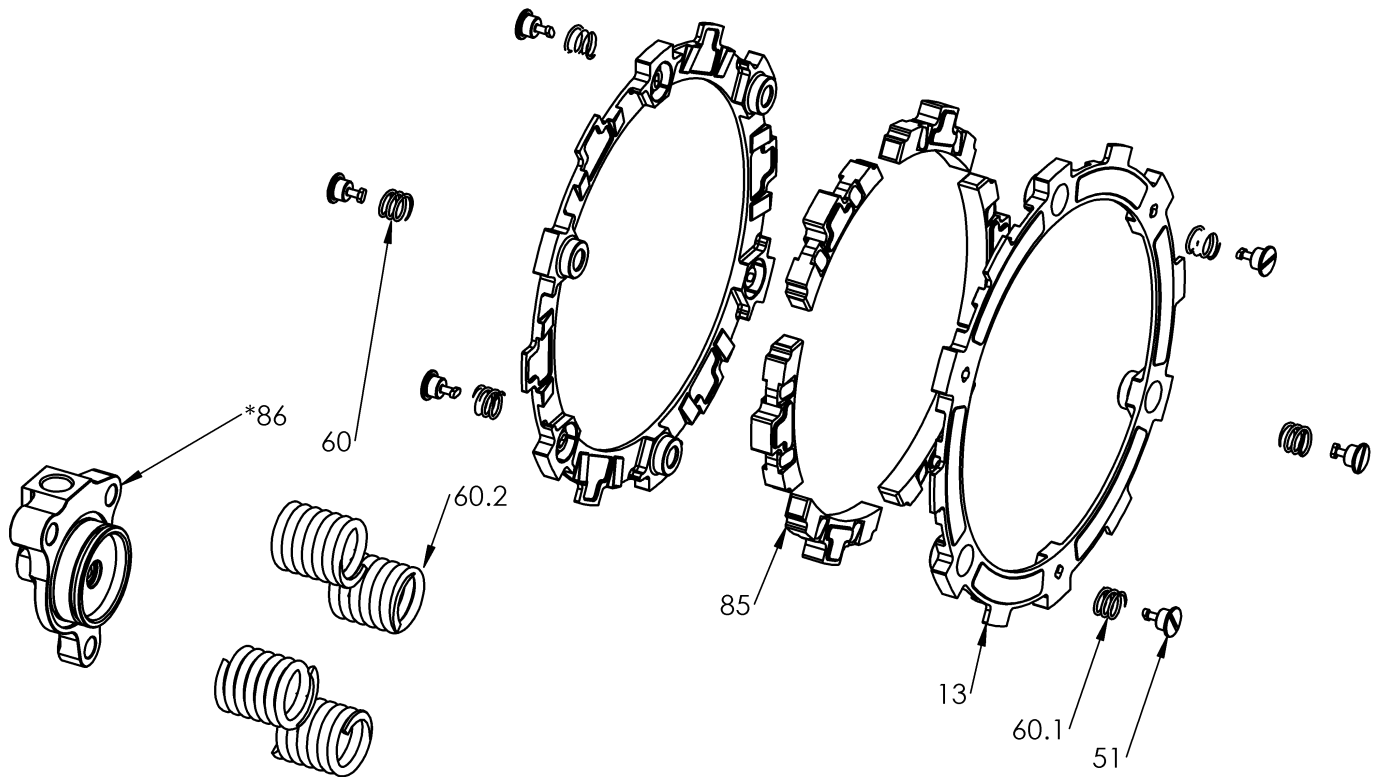


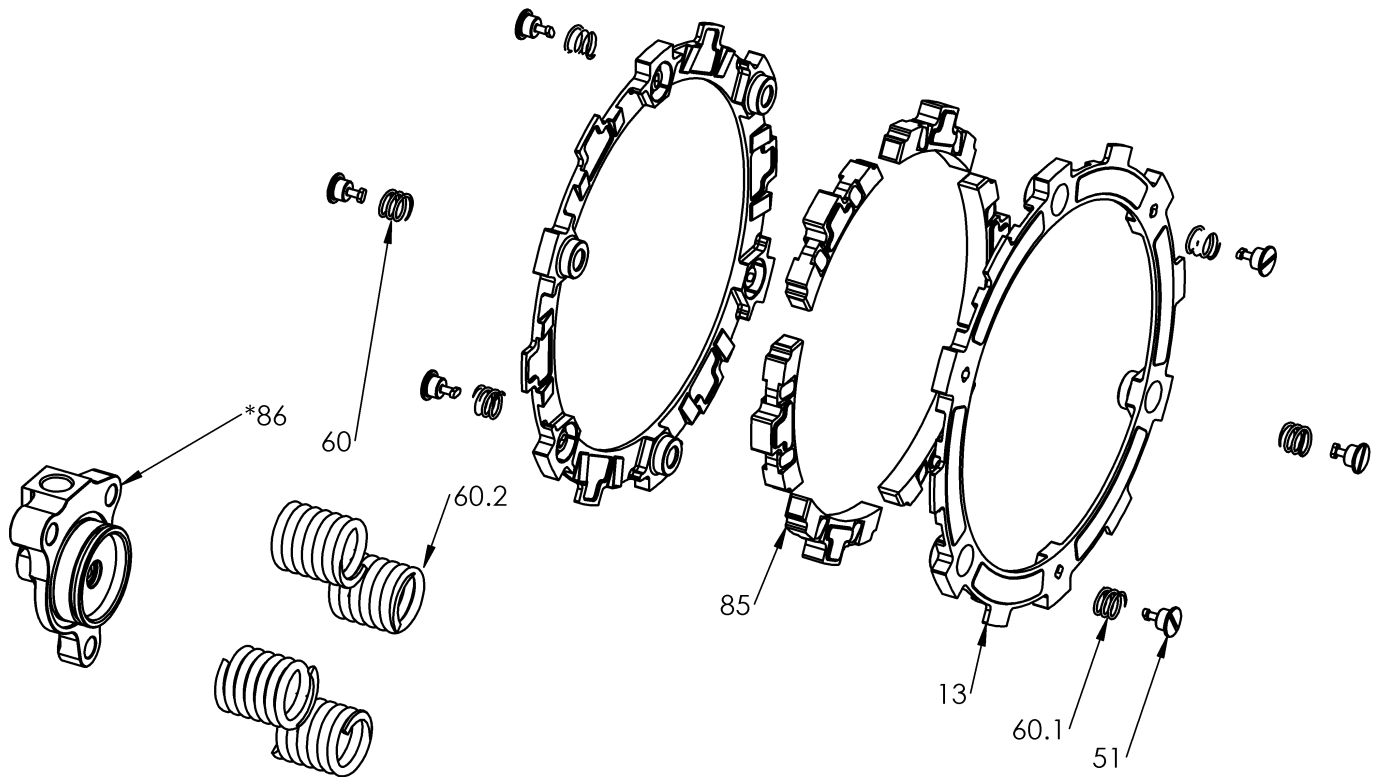
# RMS-6027E - EXP 3.0 CLUTCH



*\*SLAVE CYLINDER ASSEMBLY FICHE CAN BE VIEWED SEPARATELY.  
REBUILD KIT ALSO AVAILABLE SEPERATELY FROM REKLUSE.*

Item	Part Number	Item Description	Qty
13	140-210B	EXP 3.0 BASE - H450	2
Not Shown	415-000	FASTENER - Quarter Turn Pin	2
51	415-000	FASTENER - Quarter Turn Pin	6
Not Shown	419-120	HARDWARE - 1 Orange Free Play Gain Rubber Band	1
Not Shown	442-002	EXP ADJUSTMENT SPRING EXP - Medium (Red)	3
60	442-002	EXP ADJUSTMENT SPRING EXP - Medium (Red)	3
60.1	442-003	EXP ADJUSTMENT SPRING EXP - Heavy (Blue)	3
Not Shown	442-003	EXP ADJUSTMENT SPRING EXP - Heavy (Blue)	3
60.2	442-107A	PRESSURE PLATE SPRING - EXP - KTM & SUZUKI - 450, 530SX	4
85	741-012B	EXP 3.0 WEDGE ASSEMBLY - H450 - Medium	6
86	742-008D	ADJUSTABLE SLAVE CYLINDER ASSEMBLY - HUSABERG - Ho	1
28	180-107	SLAVE CYLINDER ADJUSTER - Screw, M6x7mm	1
28.1	180-112A	Adjustable Slave Cylinder Housing- Husaberg	1
28.2	180-208A	SLAVE CYLINDER PISTON - DIV 1.5	1
50	414-230	HARDWARE - Crush Washers: 10mm	2

# RMS-6027E - EXP 3.0 CLUTCH



*\*SLAVE CYLINDER ASSEMBLY FICHE CAN BE VIEWED SEPARATELY.  
REBUILD KIT ALSO AVAILABLE SEPERATELY FROM REKLUSE.*

Item	Part Number	Item Description	Qty
53	418-805	HARDWARE - 021 Brown Viton X Ring	1
53.1	418-908	HARDWARE - Brown Viton Fluoroelastomer O-Ring AS568A	2
53.2	418-915A	HARDWARE - BUNA O-ring, size 30mmID x 1.5mmW, Black	1
53.3	418-917A	HARDWARE - 1.5x24mm Viton O-ring, 75Dur	1
Not Show	419-104	HARDWARE - 15 in L X 1/4OD. X .17ID. Clear Vinyl Tube	1
55	420-301A	GASKET - Slave Cylinder - Mag,Form - fits 180-100,-112,-119	1
56	431-304	BALL BEARING - 1/4in Chrome Steel Ball	1