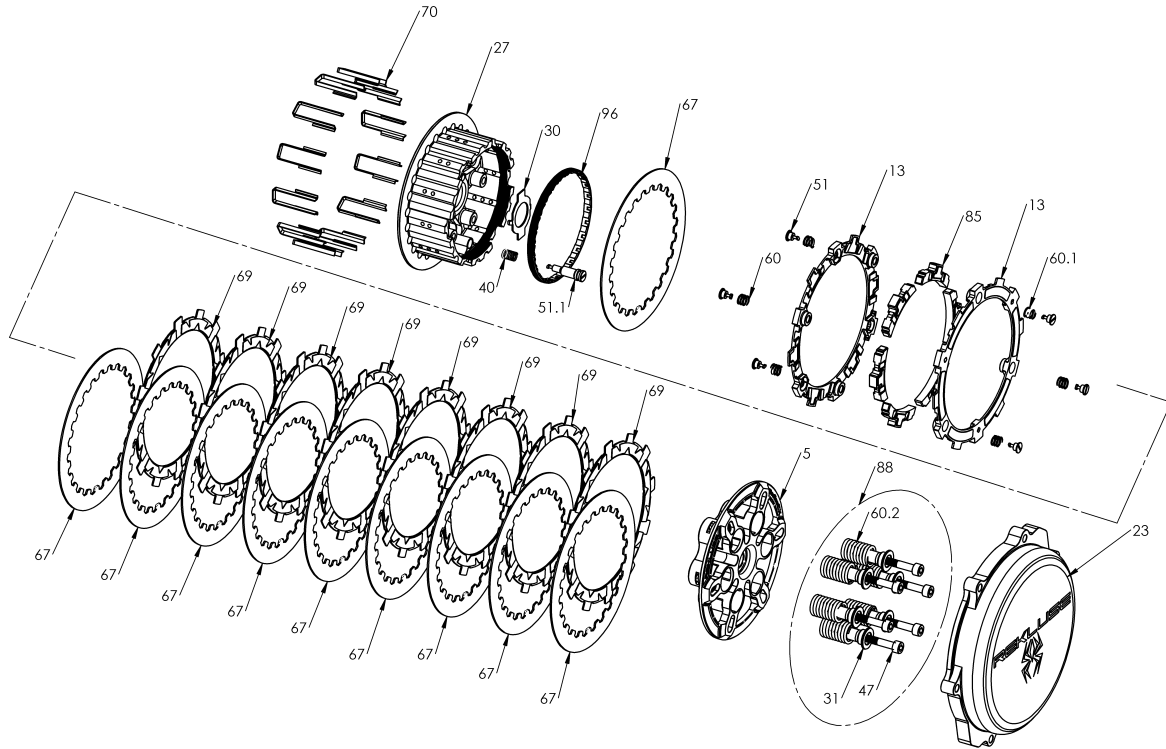
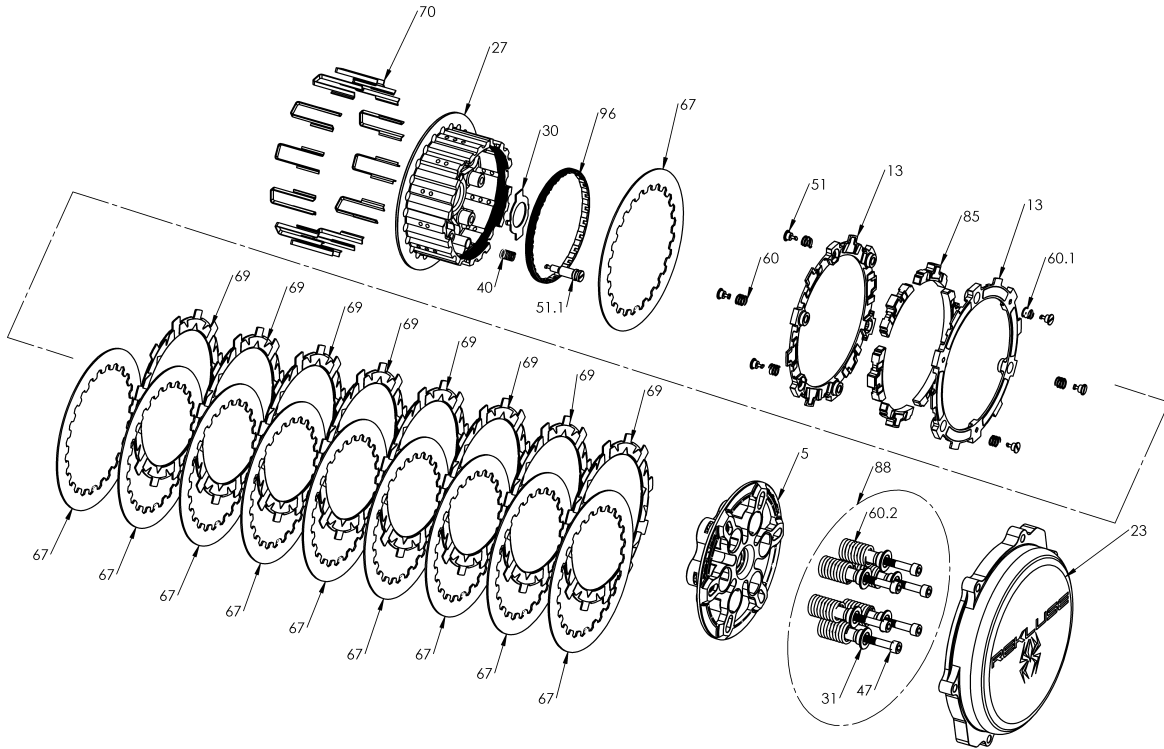


771-7907070C - UPGRADE KIT - RADIUSX TO RADIUSCX



Item	Part Number	Item Description	Qty
5	113-110A	PRESSURE PLATE - RadiusCX - YZ250 2T	1
23	169-770A	CLUTCH COVER - TorqDrive - YZ250 2-stroke (99+)	1
96	172-001A	HUB ADJUSTER RING - 450 Size	1
27	178-106A	CENTER CLUTCH HUB - RadiusCX/Core - 06 K450	1
30	183-001A	HARDWARE - Core 450 Center Clutch Tab Lock Washer	1
Not Shown	418-911A	HARDWARE - V75 Viton O-ring, Black, Size -010	1
Not Shown	419-711A	HARDWARE - Velcro Strap 1in X 12in	1
40	440-005A	SPRING - CX Hub Coil Spring	1
67	465-483B	DRIVE PLATE - 0.048 zSP/Core RMS Y450 Precision	10
69	469-332A	FRICTION DISK - Y450 TORQ-DRIVE - 2-Segment Pads	1
70	471-300	BASKET SLEEVE - H1.63 - 4S	12
Not Shown	491-011A	MISCELLANEOUS - Permanent Marker Pen	1
88	744-010	CORE CLUTCH SPRING KIT - 450 - Medium (Red)	1
31	184-101B	HARDWARE - EXP Screw Sleeve	6
47	411-135	FASTENER - M6 x 40mm Socket Head Cap Screw	6

771-7907070C - UPGRADE KIT - RADIUSX TO RADIUSCX



Item	Part Number	Item Description	Qty
60	442-101	PRESSURE PLATE SPRING - 450 Class Bikes Medium Red (incl	6
51.1	749-000A	FASTENER - Quarter-Turn Pin, CX Hub	1
Not Shown	821-013A	Prop. 65 Warning Label	1