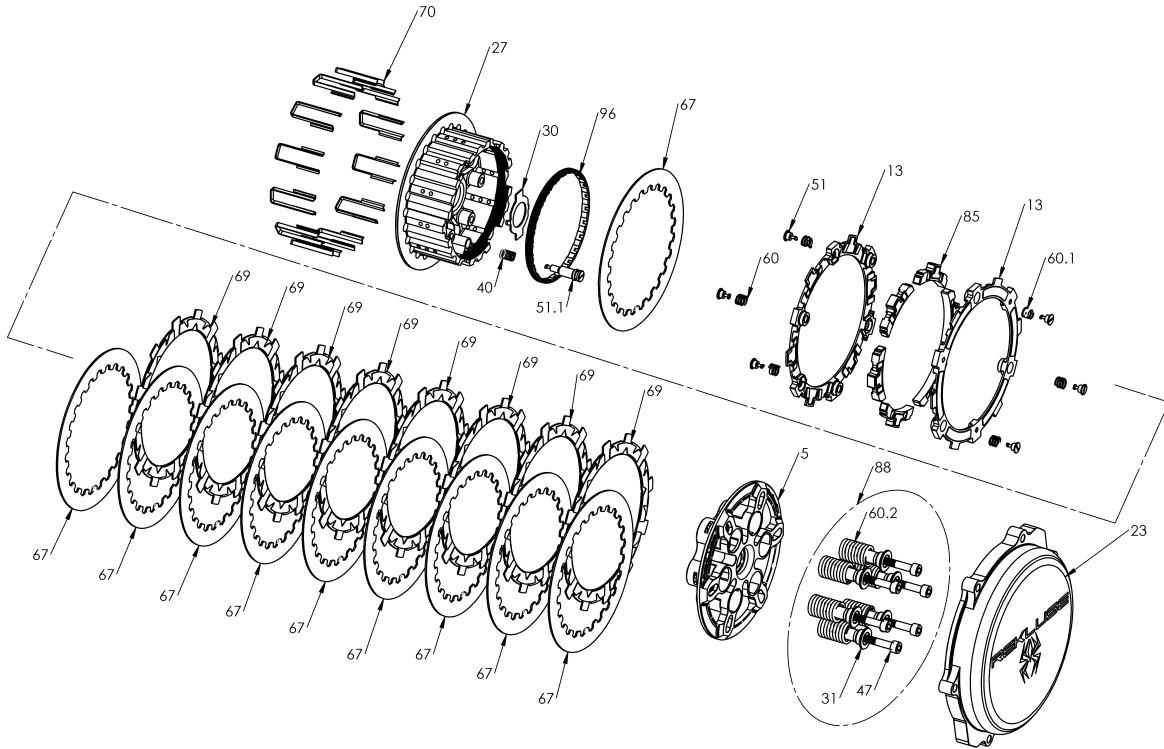
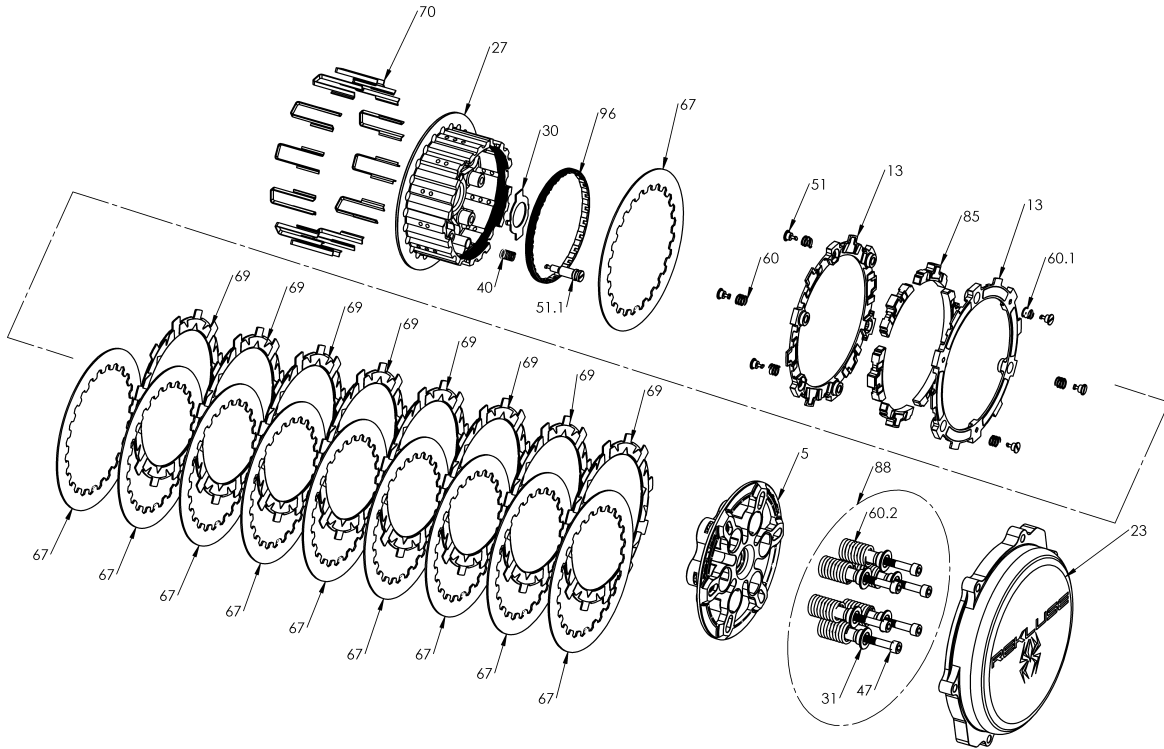


# 771-7906067C - UPGRADE KIT - RADIUSX TO RADIUSCX



Item	Part Number	Item Description	Qty
5	113-108A	PRESSURE PLATE - RadiusCX - S250	1
23	169-767B	CLUTCH COVER - TorqDrive - RMZ250 (07+)	1
96	172-002A	HUB ADJUSTER RING - 250 Size	1
27	178-107B	CENTER CLUTCH HUB - RadiusCX/Core - 09 K250	1
30	183-005A	HARDWARE - Torqdrive Pin Clutch Tab Lock Washer 32mm	1
Not Shown	418-911A	HARDWARE - V75 Viton O-ring, Black, Size -010	1
Not Shown	419-711A	HARDWARE - Velcro Strap 1in X 12in	1
40	440-005A	SPRING - CX Hub Coil Spring	1
Not Shown	442-002	EXP ADJUSTMENT SPRING EXP - Red	3
67	465-409C	DRIVE PLATE - 0.040 Core KS250 Precision	10
70	471-300	BASKET SLEEVE - H1.63 - 4S	12
Not Shown	491-011A	MISCELLANEOUS - Permanent Marker Pen	1
88	744-040	CORE CLUTCH SPRING KIT - 250 - Heavy (Gold)	1
31	184-101B	HARDWARE - EXP Screw Sleeve	5
47	411-140	FASTENER - M6-1 x 35mm Thermal Black Socket Cap Screw	5

# 771-7906067C - UPGRADE KIT - RADIUSX TO RADIUSCX



Item	Part Number	Item Description	Qty
60	442-104	PRESSURE PLATE SPRING - 250 Class Bikes Heavy Gold	5
51.1	749-000A	FASTENER - Quarter-Turn Pin, CX Hub	1
Not Shown	821-013A	Prop. 65 Warning Label	1