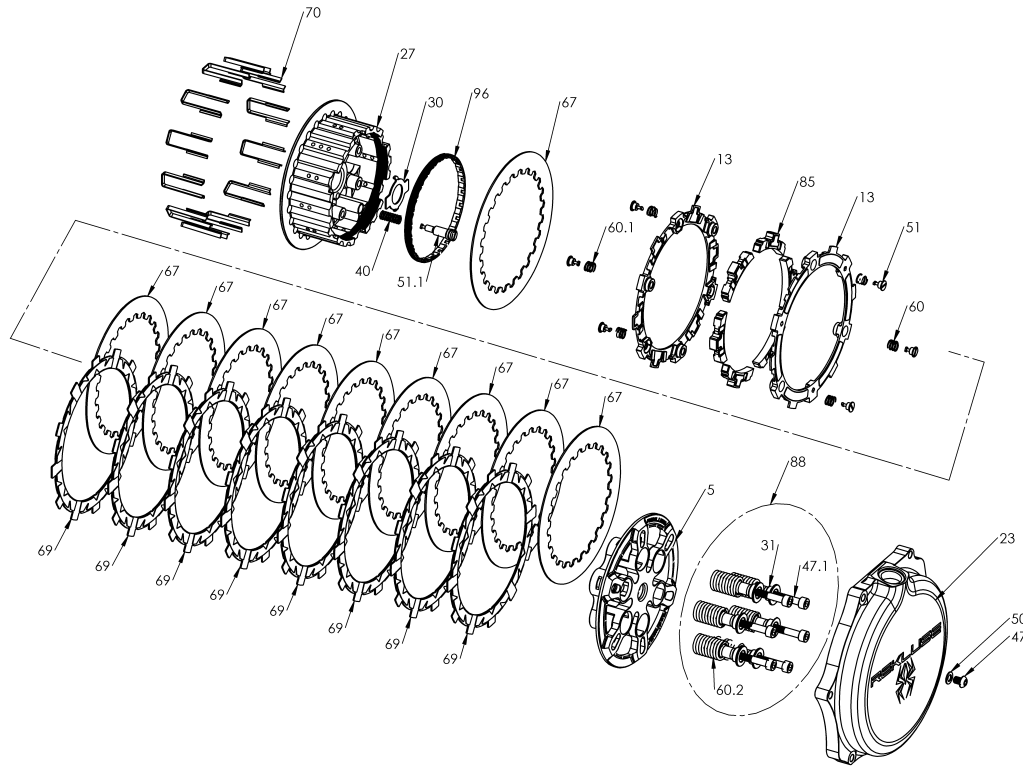
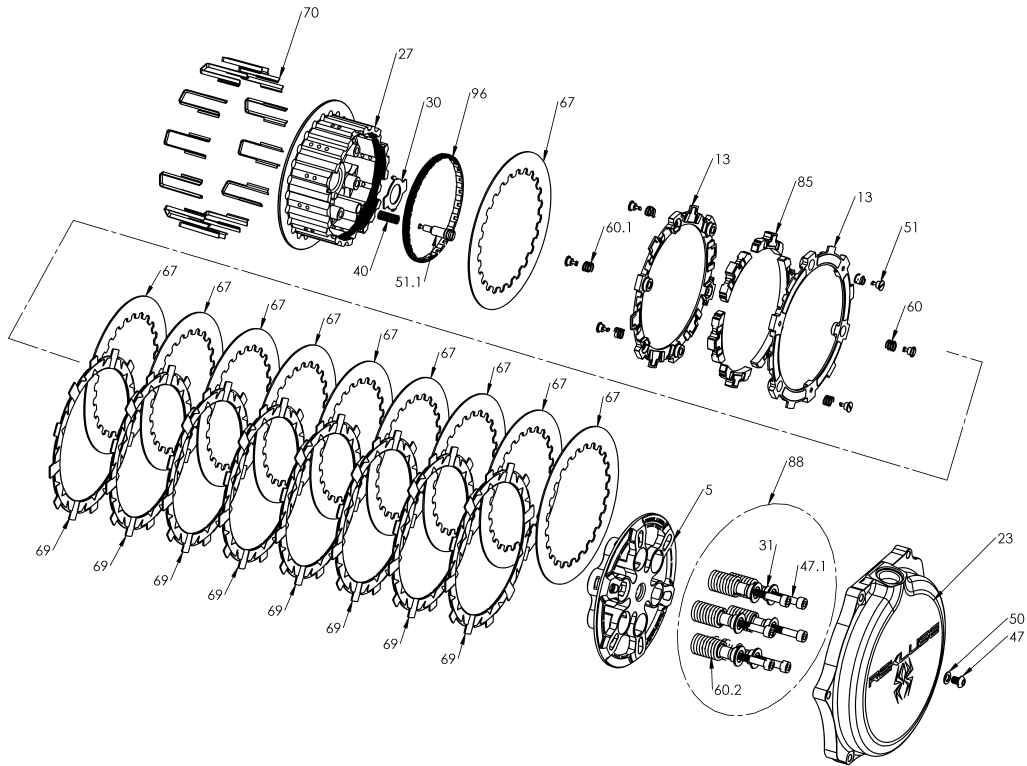


771-7906064C - UPGRADE KIT - RADIUSX TO RADIUSCX



| Item | Part Number | Item Description | Qty |
|-----------|-------------|---|-----|
| 5 | 113-109A | PRESSURE PLATE - RadiusCX - S450 | 1 |
| 23 | 169-764B | CLUTCH COVER - TorqDrive - RMZ450 (08+) | 1 |
| 96 | 172-001A | HUB ADJUSTER RING - 450 Size | 1 |
| 27 | 178-109A | CENTER CLUTCH HUB - RadiusCX/Core - S450 | 1 |
| 30 | 183-001A | HARDWARE - Core 450 Center Clutch Tab Lock Washer | 1 |
| 50 | 414-137 | HARDWARE - M6 Copper Washer | 1 |
| Not Shown | 418-911A | HARDWARE - V75 Viton O-ring, Black, Size -010 | 1 |
| Not Shown | 419-711A | HARDWARE - Velcro Strap 1in X 12in | 1 |
| 40 | 440-005A | SPRING - CX Hub Coil Spring | 1 |
| Not Shown | 442-001 | EXP ADJUSTMENT SPRING EXP - Silver | 3 |
| Not Shown | 442-002 | EXP ADJUSTMENT SPRING EXP - Red | 3 |
| 67 | 465-487B | DRIVE PLATE - 0.048 zSP Core RMS S450 Precision | 10 |
| 70 | 471-300 | BASKET SLEEVE - H1.63 - 4S | 12 |
| Not Shown | 491-011A | MISCELLANEOUS - Permanent Marker Pen | 1 |
| 88 | 744-010 | CORE CLUTCH SPRING KIT - 450 - Medium (Red) | 1 |

771-7906064C - UPGRADE KIT - RADIUSX TO RADIUSCX



| Item | Part Number | Item Description | Qty |
|-----------|-------------|--|-----|
| 31 | 184-101B | HARDWARE - EXP Screw Sleeve | 6 |
| 47 | 411-135 | FASTENER - M6 x 40mm Socket Head Cap Screw | 6 |
| 60 | 442-101 | PRESSURE PLATE SPRING - 450 Class Bikes Medium Red (incl | 6 |
| 51.1 | 749-000A | FASTENER - Quarter-Turn Pin, CX Hub | 1 |
| Not Shown | 821-013A | Prop. 65 Warning Label | 1 |