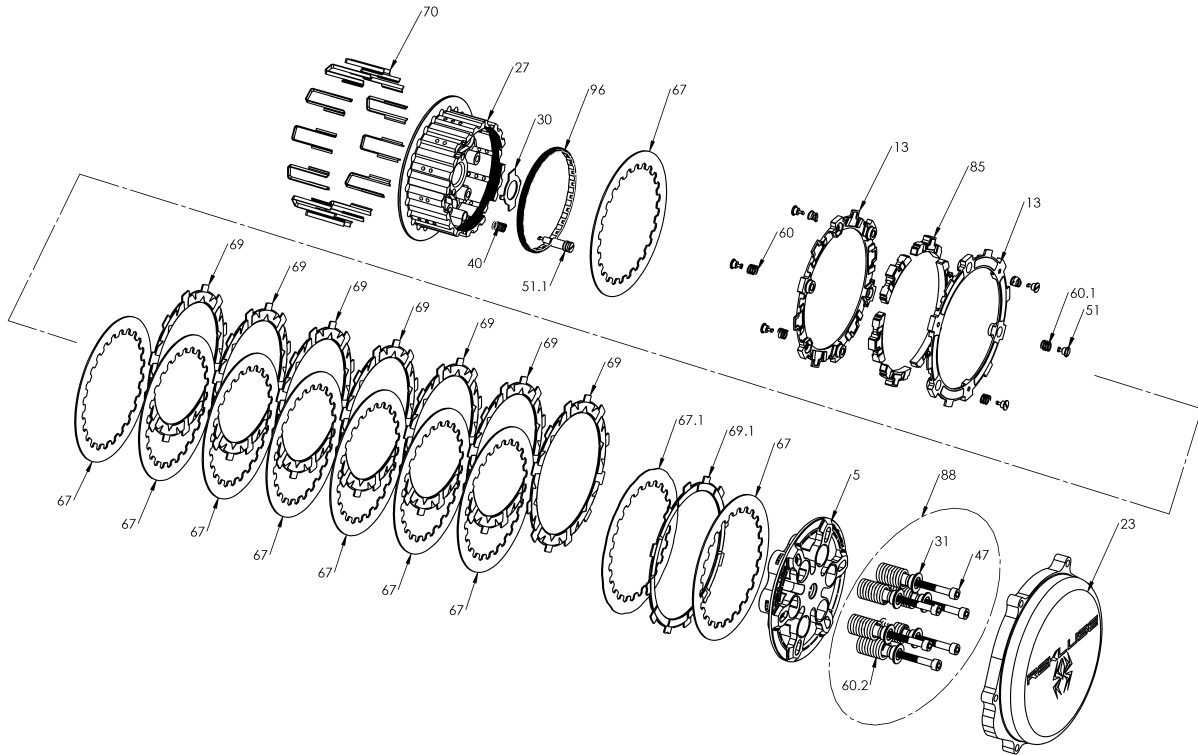
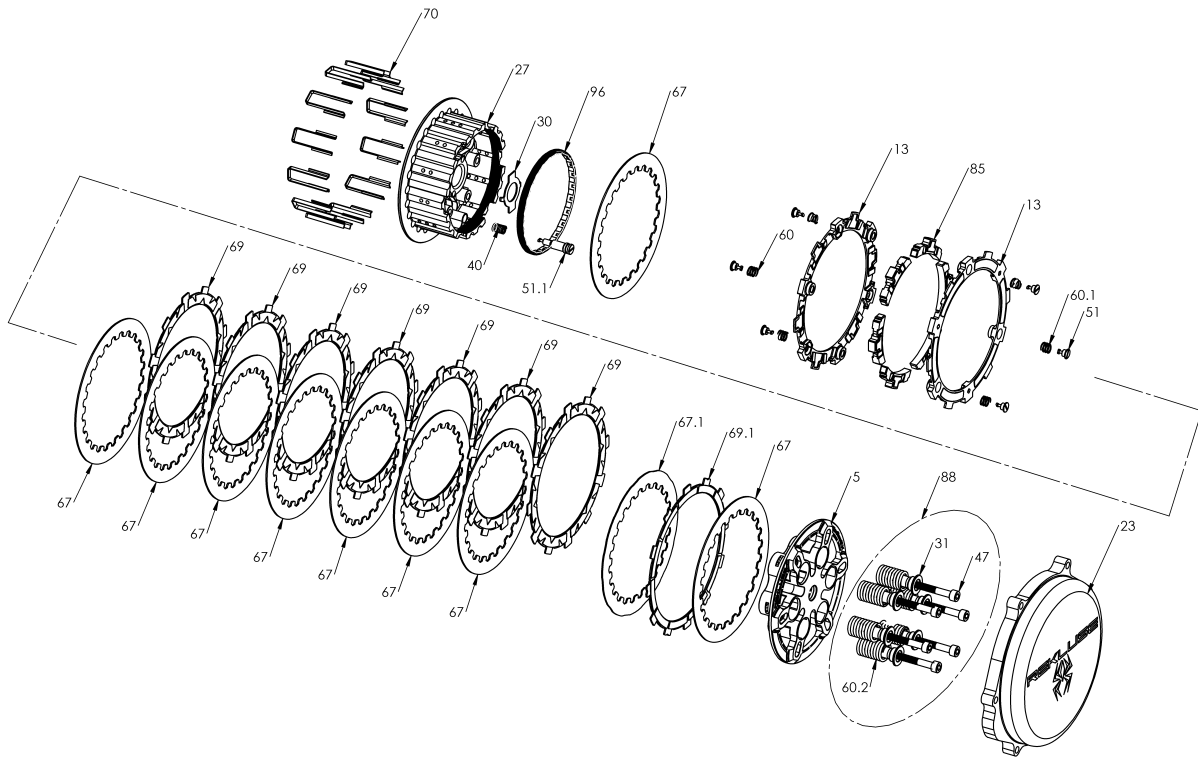


771-7901017C - UPGRADE KIT - RADIUSX TO RADIUSCX



Item	Part Number	Item Description	Qty
5	113-104A	PRESSURE PLATE - RadiusCX - CRF450R (02-12), CR250 2T (9	1
23	169-715A	CLUTCH COVER - TorqDrive - TRX450R ATV	1
96	172-001A	HUB ADJUSTER RING - 450 Size	1
27	178-105A	CENTER CLUTCH HUB - RadiusCX/Core - CRF450R (02-08), T	1
30	183-004A	HARDWARE - Core Center Clutch Tab Lock Washer 27mm S	1
50	414-709A	HARDWARE - Flat Washer M8 x 24mmOD x 2mm Thick	1
Not Shown	418-301B	HARDWARE - Clutch Cover O-Ring Cord-Viton - 25in long	1
Not Shown	418-911A	HARDWARE - V75 Viton O-ring, Black, Size -010	1
Not Shown	419-711A	HARDWARE - Velcro Strap 1in X 12in	1
40	440-005A	SPRING - CX Hub Coil Spring	1
67	465-415A	DRIVE PLATE - 1050 0.040 - RadiusCX H450	1
67.1	465-481B	DRIVE PLATE - 0.048 zSP/Core RMS H450 Precision	9
69	469-320A	FRICITION DISK - Thin Judder Friction .078 - H450	1
70	471-300	BASKET SLEEVE - H1.63 - 4S	12
Not Shown	491-011A	MISCELLANEOUS - Permanent Marker Pen	1

771-7901017C - UPGRADE KIT - RADIUSX TO RADIUSCX



Item	Part Number	Item Description	Qty
88	744-020	CORE CLUTCH SPRING KIT - 450 - Heavy (Blue)	1
31	184-101B	HARDWARE - EXP Screw Sleeve	6
47	411-135	FASTENER - M6 x 40mm Socket Head Cap Screw	6
60	442-102	PRESSURE PLATE SPRING - 450 Class Bikes Heavy Blue	6
51.1	749-000A	FASTENER - Quarter-Turn Pin, CX Hub	1
Not Shown	821-013A	Prop. 65 Warning Label	1